



POWER TAKE OFFS

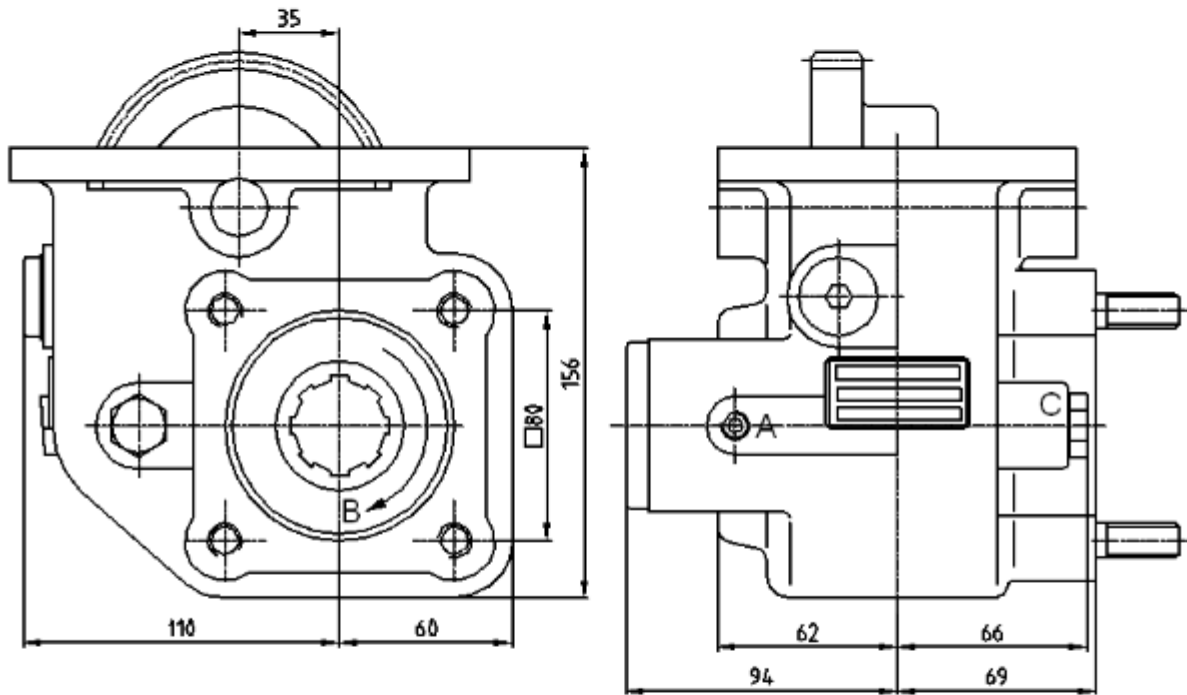
Ref. TF4026P

ZF

S5-42/4.65

To apply with Gear Pumps or Piston Pumps

Main Dimensions



A – Air connection

B – Pump rotation

C – Option: Electric sensor with mechanical driving Ref. 4026PS

(Dimensions in mm)

Main Data

Continuous Torque (Nm)	300
Intermittent Torque (Nm)	420
Power (at 1000 r.p.m)	42 C.V. / 32 Kw
Mounting Position	Left
Pump Rotation	Left Hand
Weight (Kg)	12
Engine to PTO ratio	1:1.660