

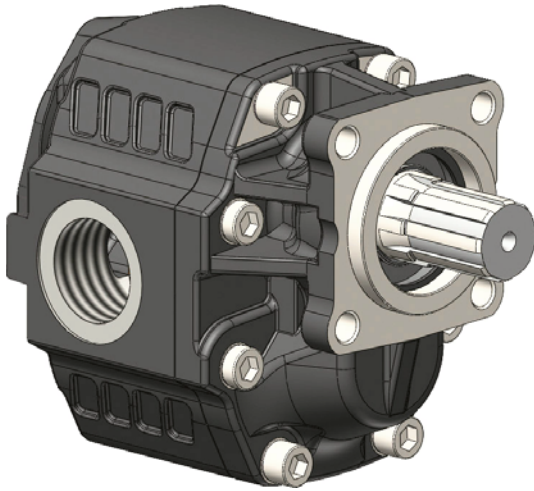
POMPE AD INGRANAGGI 4 FORI-ISO SHORT 1° POMPA

CODICE FAMIGLIA
FAMILY CODE

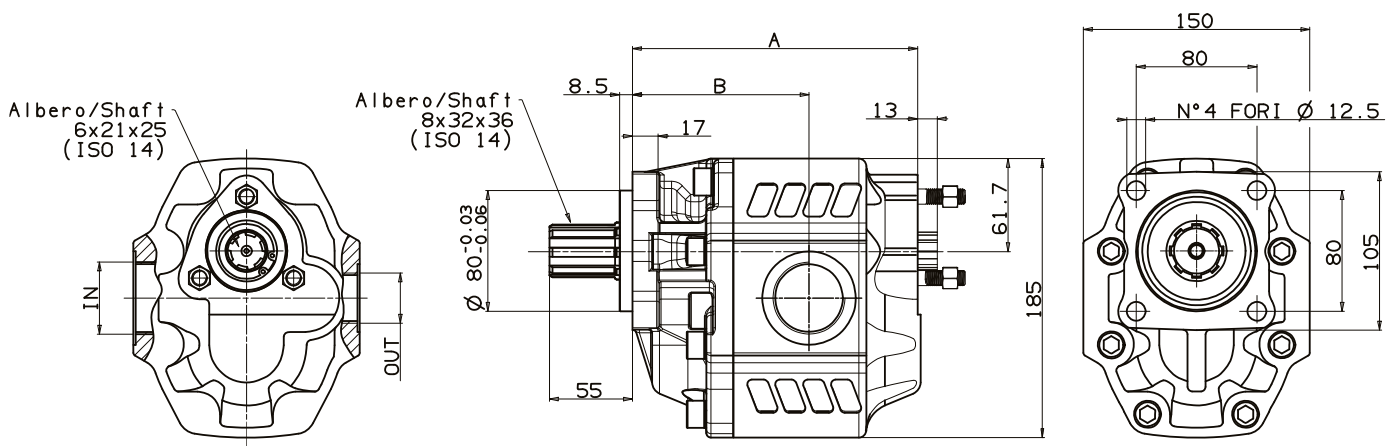
105-070

4 HOLES-ISO SHORT
HYDRAULIC GEAR PUMPS

TANDEM NPGH ISO-SHORT



Fluido idraulico Fluid	Minerale o sintetico compatibile con guarnizioni: Mineral or synthetic compatible with the following seals: NBR, FKM, FPM, Nylon				
Viscosità cinematica consigliata Kinematic viscosity suggested	T media ambiente (°C) Average ambient temp. (°C)	< -10	-10 ÷ 10	10 ÷ 35	> 35
	VG (cSt = mm ² /s)	22	32	46	68
Viscosità cinematica ottimale di esercizio Optimale kinematic viscosity		VG = 10 cSt ÷ 100 cSt			
Viscosità cinematica max consentita all'avviamento Max kinematic viscosity suggested at the start-up		VG = 750 cSt			
Indice di viscosità consigliato Viscosity index suggested	VI > 100	Temperatura di esercizio Working temperature -15°C +100°C			
Grado di filtrazione Oil filtering		> 200 bar: 10 µm < 200 bar: 25 µm			
Pressione di aspirazione Inlet pressure		-0,3 ÷ 2 bar			
Senso di rotazione Pump rotation		Unidirezionale (DX o SX) Unidirectional (Right or Left)			



Tipo pompa Pump type	Rotazione Rotation		IN	OUT	A	B	Peso Weight
	Destra Right	Sinistra Left					
			ISO 228	ISO 228	mm	mm	Kg
NPGH-63	105-070-00638	105-070-00647	G 1	G 3/4	158	95	18
NPGH-73	105-070-00736	105-070-00745			162	99	18.1
NPGH-84	105-070-00843	105-070-00852	G 1 1/4	G 1	166	99.5	18.8
NPGH-100	105-070-01002	105-070-01011			172	103	19.5
NPGH-116	105-070-01164	105-070-01173			178	109	20.1
NPGH-133	105-070-01333	105-070-01342	G 1 1/2		184	112	21
NPGH-150	105-070-01502	105-070-01511			189	117	21.5



POMPE DA NON UTILIZZARE CON CARICHI ASSIALI E RADIALI SULL'ALBERO
NO AXIAL AND RADIAL LOADS ALLOWED ON PUMP SHAFT

PREDISPOSTA PER 2ª POMPA CON FLANGIA UNI
READY FOR 2ND PUMP WITH UNI FLANGE

pag.113

OMFB
HYDRAULIC COMPONENTS

O.M.F.B. S.p.A. Hydraulic Components
We reserve the right to make any changes without notice.
Edition 2003.03 No reproduction, however partial, is permitted.
Via Cave, 7/9 25050 Provaglio d'Iseo (Brescia) Italy Tel.: +39.030.9830611
Fax: +39.030.9839207-208 Internet:www.omfb.it e-mail:contattii@omfb.it

COMPANY WITH
QUALITY SYSTEM
CERTIFIED BY DNV GL
= IATF 16949 =

Codice fascicolo: 997-400-10510

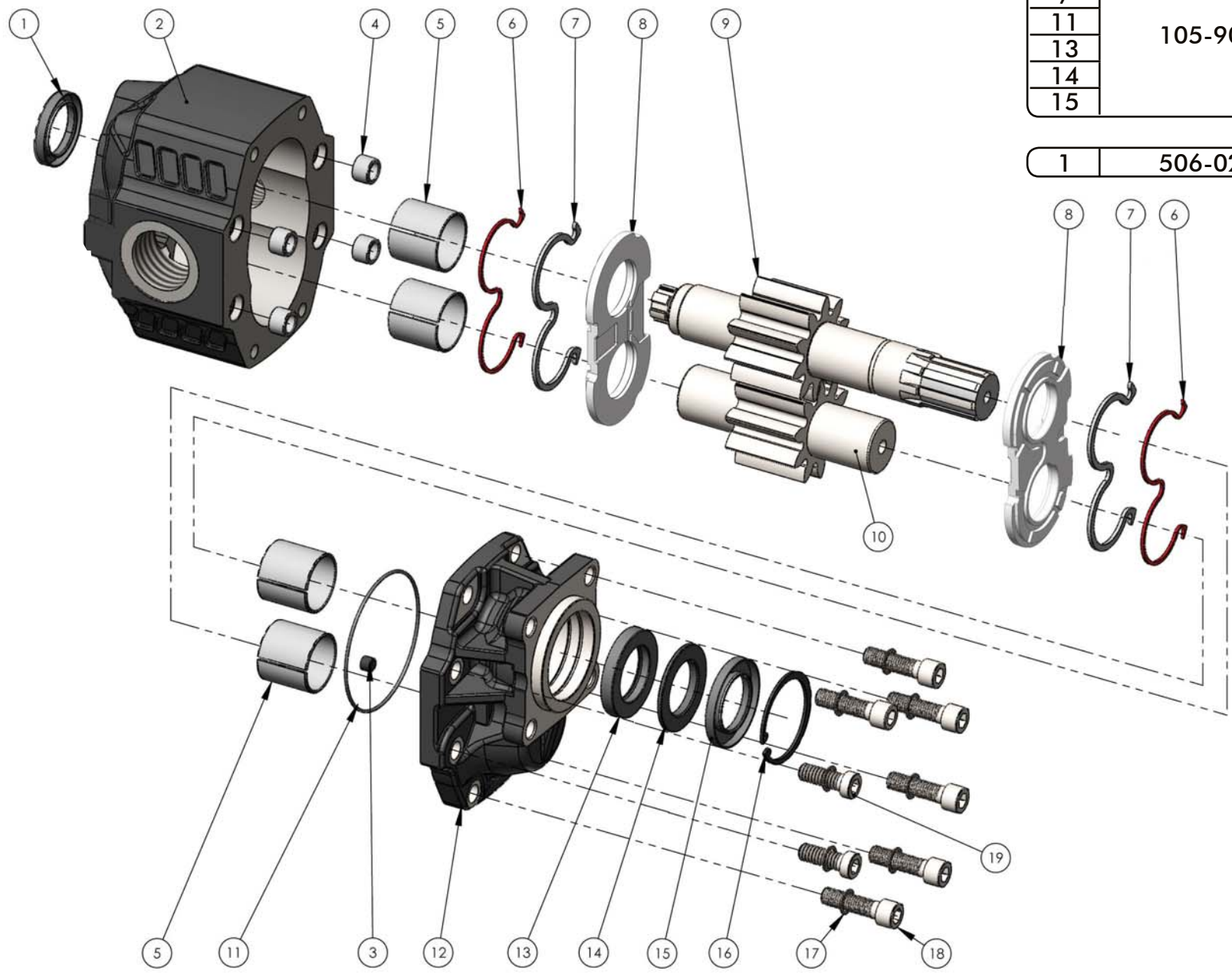
Data: Giovedì 23 novembre 2017

Rev: AM

Codice foglio: 997-105-07001

Kit guarnizioni / Seal Kit	
6	105-900-00302
7	
11	
13	
14	
15	

+	
1	506-023-35527



COMPANY WITH
QUALITY SYSTEM
CERTIFIED BY DNV GL
= IATF 16949 =

O.M.F.B. S.p.A. Hydraulic Components
We reserve the right to make any changes without notice.
Edition 2003.03 No reproduction, however partial, is permitted.
Via Core, 7/9 25050 Poggio di Iso (Brescia) Italy tel.: +39 030 9830611
Fax: +39 030 9839207-208 Internet:www.omfb.it e-mail:omfb@omfb.it





O.M.F.B. S.p.A. Hydraulic Components
 We reserve the right to make any changes without notice.
 Edition 2003.03 No reproduction, however partial, is permitted.
 Via Cune, 7/9 25050 Poveglio d'Isco (Brescia) Italy Tel.: +39 030 9830611
 Fax: +39 030 9839207-208 Internet:www.omfb.it e-mail:comitiff@omfb.it

pag. 115

COMPANY WITH
 QUALITY SYSTEM
 CERTIFIED BY DNV GL
 = IATF 16949 =

N°	63	73	84	100	116	133	150	Codice/Code	Descrizione / Description		Q.tà/Q.ty
1	•	•	•	•	•	•	•	506-023-35527	Guarnizione paraolio	Oil seal	1
2	•							517-020-00635 Dx/Right	Corpo pompa	Gear housing	1
	•							517-020-10633 Sx/Left			
		•						517-020-00724 Dx/Right			
		•						517-020-10722 Sx/Left			
			•					517-020-00840 Dx/Right			
			•					517-020-10848 Sx/Left			
				•				517-020-01009 Dx/Right			
				•				517-020-11007 Sx/Left			
					•			517-020-01161 Dx/Right			
					•			517-020-11169 Sx/Left			
						•		517-020-01321 Dx/Right			
					•		517-020-11329 Sx/Left				
						•	517-020-01509 Dx/Right				
						•	517-020-11507 Sx/Left				
3	•	•	•	•	•	•	•	504-010-00063	Grano conico 1/8"	Plug 1/8"	1
4	•	•	•	•	•	•	•	501-003-00291	Spine forate di centraggio 18x12.5	Bushing 18x12.5	4
5	•	•	•	•	•	•	•	533-004-00088	Boccole autolub. 38x42x38	Bushing 38x42x38	4
6	•	•	•	•	•	•	•	506-000-01195	Guarnizione antiestrusione	Back-up ring	2
7	•	•	•	•	•	•	•	506-000-01186	Guarnizione per rasamento	Thrust plate seal	2
8	•	•	•	•	•	•	•	510-010-00328	Rasamento ad occhiale	Thrust plate	2
9	•							523-029-00633	Albero dentato conduttore	Drive shaft	1
		•						523-029-00722			
			•					523-029-00848			
				•				523-029-01007			
					•			523-029-01169			
						•		523-029-01329			
10	•							532-029-01507	Albero dentato condotto	Driven shaft	1
		•						523-020-00632			
			•					523-020-00721			
				•				523-020-00847			
					•			523-020-01006			
						•		523-020-01168			
						•	523-020-01328				
						•	523-020-01506				
11	•	•	•	•	•	•	•	506-000-01337	Guarnizione OR	O-Ring	1
12	•	•	•	•	•	•	•	518-003-00216	Coperchio anteriore	Mounting cover	1
13	•	•	•	•	•	•	•	506-021-38624	Guarnizione paraolio	Oil seal	1
14	•	•	•	•	•	•	•	506-022-38623	Anello schermo paraolio	Oil seal guard ring	1
15	•	•	•	•	•	•	•	506-007-38627	Guarnizione paraolio	Oil seal	1
16	•	•	•	•	•	•	•	501-001-00588	Anello seeger	Seeger ring	1
17	•	•	•	•	•	•	•	501-020-00129	Rondella elastica	Washer	8
18	•							502-005-00573	Vite TCE M12x45	Screw M12x45	6
		•									8
19	•							502-000-00265	Vite TCE M12x35	Screw M12x35	2

CARATTERISTICHE TECNICHE DI FUNZIONAMENTO - TECHNICAL FEATURES

Tipo pompa Pump type	Cilindrata Displacement cm ³ /rev	Pressione Pressure			Velocità max. continua Max. continuous speed rpm	Velocità max. intermittente Max. intermittent speed rpm	Velocità min. Min. speed rpm
		P1 bar	P2 bar	P3 bar			
NPGH-63	63.70	290	315	325	1800	300	
NPGH-73	74.87	280	300	315			
NPGH-84	85.96	260	280	290			
NPGH-100	102.60	250	270	280			
NPGH-116	119.24	240	260	270	1500	300	
NPGH-133	135.88	220	250	260			
NPGH-150	149.75	180	210	220			

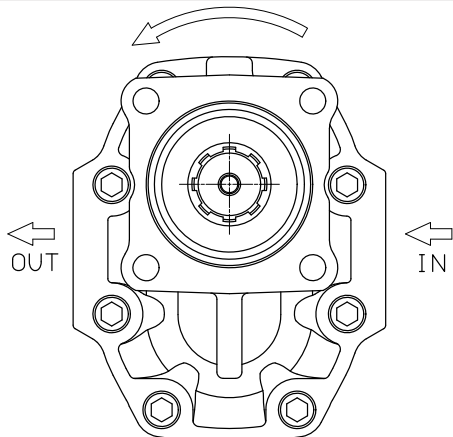
P1=Pressione max.continua
P2=Pressione max. intermittente
P3=Pressione max. di punta

Max. continuous pressure
Max. Intermittent pressure
Max. peak pressure

(100%)
(20 sec.max.)
(6 sec.max)

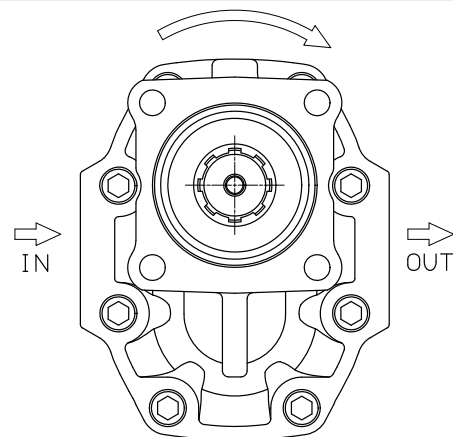
SENSO DI ROTAZIONE POMPA - DIRECTION OF ROTATION

Rotazione antioraria, pompa sinistra
Anti-clockwise rotation, left pump

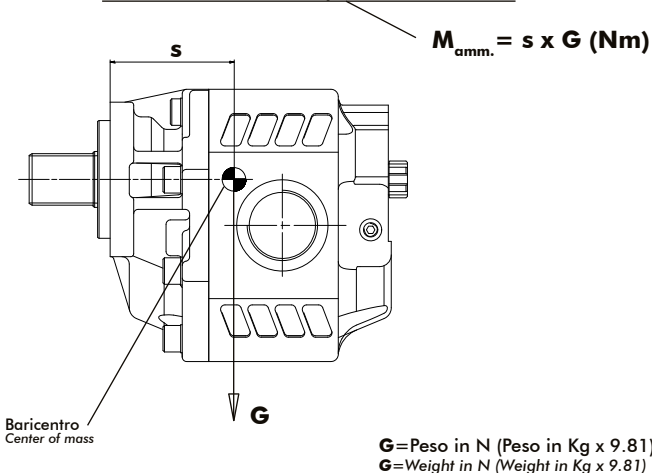


Vista FRONTALE
FRONT

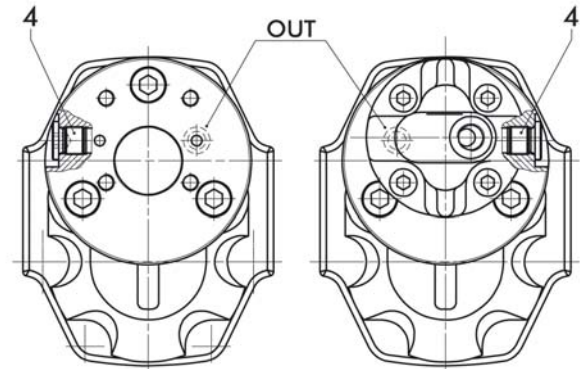
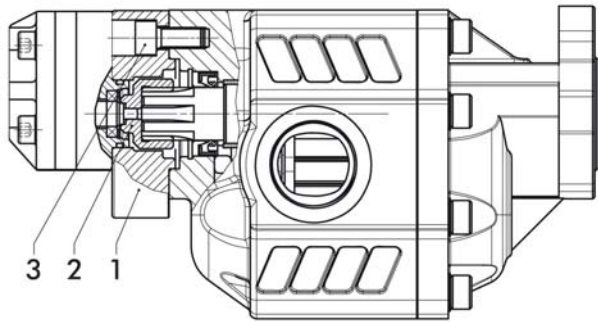
Rotazione oraria, pompa destra
Clockwise rotation, right pump



Vista FRONTALE
FRONT

MOMENTO PESO / MASS MOMENT

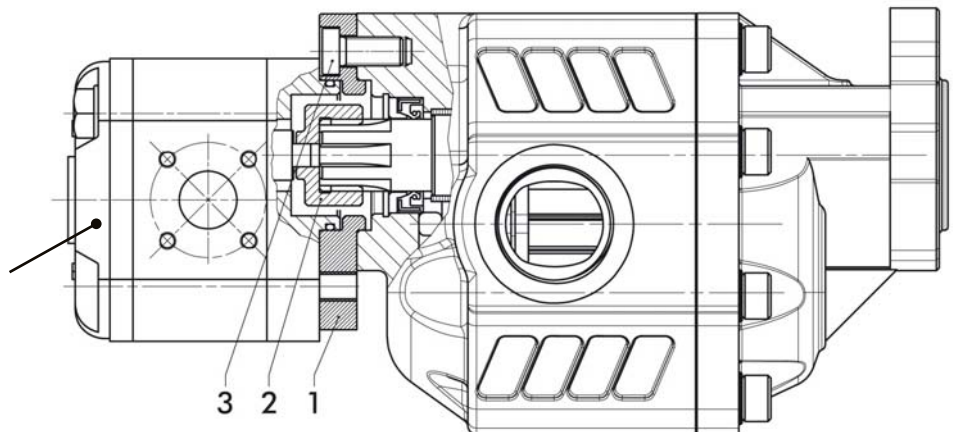
Tipo pompa - Pump type	S
NPGH-63	84
NPGH-73	86
NPGH-84	89
NPGH-100	91
NPGH-116	94
NPGH-133	97
NPGH-150	100

Pompe 1P
1P pumpsMontaggio pompa 1P Dx
Mounting pump 1P RMontaggio pompa 1P Sx
Mounting pump 1P L**Kit montaggio codice: 105-020-00101**
Mounting kit:**Coppia max.**
Max. torque 21,5 Nm

Pos.	Codice Code	Descrizione Description	Q.tà Q.ty
1	528-007-00817	Flangia per montaggio pompe 1P Destra/Sinistra Mounting flange for pumps 1P Left/Right	1
2	114-004-00853	Manicotto Coupling	1
3	502-004-00538	Vite TCE M10x22 UNI 5931 CL 12.9 Hex head screw M10x22 UNI 5931 CL 12.9	3
4	115-006-00117	Tappo TCE 1/4" DIN 908 Hex head plug 1/4" DIN 908	1

Pompe 2P
2P pumps**L'applicazione è da utilizzare solo con le pompe:**
The assembly should be used only with the following pumps:

149-200-09433 4cc destra/right
 149-200-09442 4cc sinistra/left
 149-200-09451 6cc destra/right
 149-200-09460 6cc sinistra/left

**Kit montaggio codice: 105-020-00209**
Mounting kit:**Coppia max.**
Max. torque 70 Nm

Pos.	Codice Code	Descrizione Description	Q.tà Q.ty
1	528-007-00808	Flangia per montaggio pompe 2P Mounting flange for pumps 2P	1
2	114-004-00844	Manicotto Coupling	1
3	502-000-00149	Vite TCE M10x22 DIN 7984 CL 10.9 Hex head screw M10x22 DIN 7984 CL 10.9	3