

# POMPE AD INGRANAGGI 4 FORI-ISO 1° POMPA

## 4 HOLES-ISO HYDRAULIC GEAR PUMPS

CODICE FAMIGLIA  
FAMILY CODE

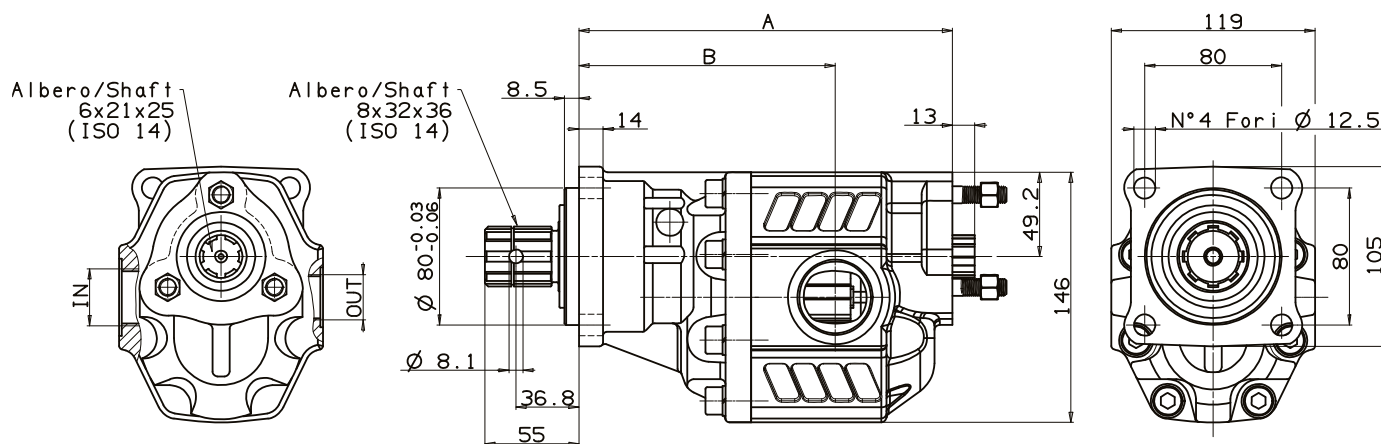
# 105-023

## TANDEM NPH ISO



Codice fascicolo: 997-400-10510

Fluido idraulico Fluid	Minerale o sintetico compatibile con guarnizioni: Mineral or synthetic compatible with the following seals: NBR, FKM, FPM, Nylon				
Viscosità cinematica consigliata Kinematic viscosity suggested	T media ambiente (°C) Average ambient temp. (°C)	< -10	-10 ÷ 10	10 ÷ 35	> 35
	VG (cSt = mm <sup>2</sup> /s)	22	32	46	68
Viscosità cinematica ottimale di esercizio Optimale kinematic viscosity		VG = 10 cSt ÷ 100 cSt			
Viscosità cinematica max consentita all'avviamento Max kinematic viscosity suggested at the start-up		VG = 750 cSt			
Indice di viscosità consigliato Viscosity index suggested	VI > 100	Temperatura di esercizio Working temperature -15°C +100°C			
Grado di filtrazione Oil filtering		> 200 bar: 10 μm < 200 bar: 25 μm			
Pressione di aspirazione Inlet pressure		-0,3 ÷ 2 bar			
Senso di rotazione Pump rotation		Unidirezionale (DX o SX) Unidirectional (Right or Left)			



Data: Giovedì 23 novembre 2017

Tipo pompa Pump type	Rotazione Rotation		IN ISO 228	OUT ISO 228	A mm	B mm	Peso Weight Kg
	Destra Right	Sinistra Left					
<b>NPH-17</b>	105-023-10179	105-023-10188	G 1/2		180	119	10.6
<b>NPH-22</b>	105-023-10222	105-023-10231			183.5	121.5	11
<b>NPH-27</b>	105-023-10277	105-023-10286			186	124	11.5
<b>NPH-34</b>	105-023-10348	105-023-10357	G 3/4		191	124	12.5
<b>NPH-43</b>	105-023-10437	105-023-10446			197	130	13
<b>NPH-51</b>	105-023-10517	105-023-10526			202	130.5	13.5
<b>NPH-61</b>	105-023-10615	105-023-10624	G 1		208	136.5	14
<b>NPH-73</b>	105-023-10731	105-023-10740			216	135.5	14.5
<b>NPH-82</b>	105-023-10820	105-023-10839			221	142.5	14.9

Codice foglio: 997-105-02305 Rev. AL

**PREDISPOSTA PER 2<sup>A</sup> POMPA CON FLANGIA UNI**  
READY FOR 2<sup>ND</sup> PUMP WITH UNI FLANGE

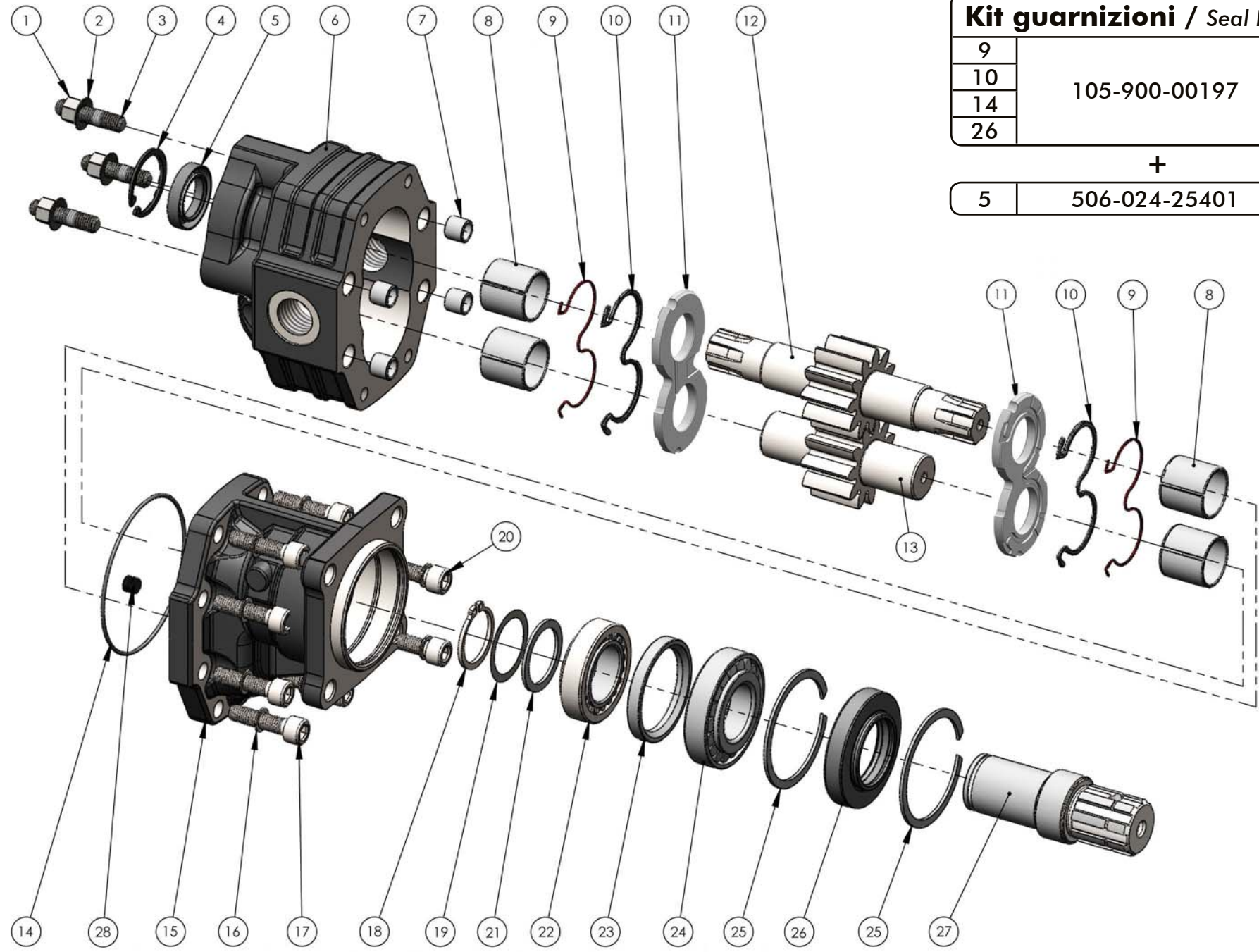
pag.95



O.M.F.B. S.p.A. Hydraulic Components  
We reserve the right to make any changes without notice.  
Edition 2003.03 No reproduction, however partial, is permitted.  
Via Cave, 7/9 25050 Provaglio d'Iseo (Brescia) Italy Tel.: +39.030.9830611  
Fax: +39.030.9839207-208 Internet: www.omfb.it e-mail: contattii@omfb.it

COMPANY WITH  
QUALITY SYSTEM  
CERTIFIED BY DNV GL  
= IATF 16949 =

Kit guarnizioni / Seal Kit	
9	105-900-00197
10	
14	
26	
+	
5	506-024-25401



COMPANY WITH  
QUALITY SYSTEM  
CERTIFIED BY DNV GL  
= IATF 16949 =

O.M.F.B. S.p.A. Hydraulic Components  
We reserve the right to make any changes without notice.  
Edition 2003.03 No reproduction, however partial, is permitted.  
Via Core, 7/9 25050 Proseppio d'Isco (Brescia) Italy tel.: +39 030 9830611  
Fax: +39 030 9839207-208 Internet: www.omfb.it e-mail: comfb@omfb.it

pag. 96





O.M.F.B. S.p.A. Hydraulic Components  
 We reserve the right to make any changes without notice.  
 Edition 2003.03 No reproduction, however partial, is permitted.  
 Via Core, 7/9 25050 Poveglio d'Isco (Brescia) Italy Tel.: +39 030 9830617  
 Fax: +39 030 9839207-208 Internet:www.omfb.it e-mail:contatti@omfb.it

pag. 97

COMPANY WITH  
 QUALITY SYSTEM  
 CERTIFIED BY DNV GL  
 = IATF 16949 =

N° N°	17	22	27	34	43	51	61	73	82	Codice P. Number	Descrizione Description	Quantità Quantity	
1	•	•	•	•	•	•	•	•	•	505-004-00014	Dado M10 CH14 H10	Nut M10 CH14 H10	3
2	•	•	•	•	•	•	•	•	•	501-018-00105	Rondella elastica	Washer	3
3	•	•	•	•	•	•	•	•	•	503-004-00198	Prigioniero M10x30	Stud bolt M10x30	3
4	•	•	•	•	•	•	•	•	•	501-001-00373	Anello elastico	Circlip	1
5	•	•	•	•	•	•	•	•	•	506-024-25401	Guarnizione paraolio	Oil seal	1
6	•	•	•	•	•	•	•	•	•	517-009-00175	Corpo pompa	Gear housing	1
	•	•	•	•	•	•	•	•	•	517-009-00228			
	•	•	•	•	•	•	•	•	•	517-009-00273			
	•	•	•	•	•	•	•	•	•	517-009-00344			
	•	•	•	•	•	•	•	•	•	517-009-00433			
	•	•	•	•	•	•	•	•	•	517-009-00513			
	•	•	•	•	•	•	•	•	•	517-009-00611			
7	•	•	•	•	•	•	•	•	•	501-003-00282	Spine forate di centraggio 14x12.5	Pins 14x12.5	4
8	•	•	•	•	•	•	•	•	•	533-004-00033	Boccola autolub. 28x32x30	Bushing 28x32x30	4
9	•	•	•	•	•	•	•	•	•	506-000-01097	Guarnizione antiestrusione	Back-up ring	2
10	•	•	•	•	•	•	•	•	•	506-000-01088	Guarnizione per rasamento	Thrust plate seal	2
11	•	•	•	•	•	•	•	•	•	510-010-00293	Rasamento ad occhio	Thrust plate	2
12	•	•	•	•	•	•	•	•	•	523-022-00176	Albero dentato conduttore	Drive shaft	1
	•	•	•	•	•	•	•	•	•	523-022-00229			
	•	•	•	•	•	•	•	•	•	523-022-00274			
	•	•	•	•	•	•	•	•	•	523-022-00345			
	•	•	•	•	•	•	•	•	•	523-022-00434			
	•	•	•	•	•	•	•	•	•	523-022-00514			
	•	•	•	•	•	•	•	•	•	523-022-00612			
13	•	•	•	•	•	•	•	•	•	523-022-00710	Albero dentato condotto	Albero dentato condotto	1
•	•	•	•	•	•	•	•	•	•	523-024-00174			
•	•	•	•	•	•	•	•	•	•	523-024-00227			
•	•	•	•	•	•	•	•	•	•	523-024-00272			
•	•	•	•	•	•	•	•	•	•	523-024-00343			
•	•	•	•	•	•	•	•	•	•	523-024-00432			
•	•	•	•	•	•	•	•	•	•	523-024-00512			
14	•	•	•	•	•	•	•	•	•	506-000-01579	Guarnizione OR	O-Ring	1
15	•	•	•	•	•	•	•	•	•	518-003-00116	Coperchio anteriore	Mounting cover	1
16	•	•	•	•	•	•	•	•	•	501-020-00101	Rondella elastica	Washer	8
17	•	•	•	•	•	•	•	•	•	502-004-00574	Vite TCE M10x40	Screw M10x40	8
	•	•	•	•	•	•	•	•	•				4
18	•	•	•	•	•	•	•	•	•	501-000-01355	Anello seeger	Seeger ring	1
19	•	•	•	•	•	•	•	•	•	529-007-00226	Rondella speciale 45x32x0,2	Special washer 45x35x0,2	1
20	•	•	•	•	•	•	•	•	•	502-004-00565	Vite TCE M10x35	Screw M10x35	4
21	•	•	•	•	•	•	•	•	•	529-007-00208	Rondella speciale 45x35x2	Special washer 45x35x2	1
22	•	•	•	•	•	•	•	•	•	510-002-00202	Cuscinetto a rulli conici 35x62x18	Tapered roller bearing 35x62x18	1
23	•	•	•	•	•	•	•	•	•	530-004-00164	Distanziale 52x64,2x8,25	Spacer 52x64,2x8,25	1
24	•	•	•	•	•	•	•	•	•	510-002-00211	Cuscinetto a rulli conici 35x72x18,25	Tapered roller bearing 35x72x18,25	1
25	•	•	•	•	•	•	•	•	•	501-000-02729	Anello elastico	Circlip	2
26	•	•	•	•	•	•	•	•	•	506-008-42723	Guarnizione paraolio	Oil seal	1
27	•	•	•	•	•	•	•	•	•	114-005-00147	Manicotto	Coupling	1
28	•	•	•	•	•	•	•	•	•	504-010-00063	Grano conico 1/8"	Plug 1/8"	1

**CARATTERISTICHE TECNICHE DI FUNZIONAMENTO - TECHNICAL FEATURES**

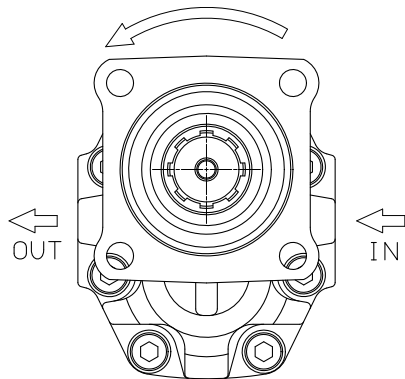
Tipo pompa Pump type	Cilindrata Displacement cm <sup>3</sup> /rev	Pressione Pressure			Velocità max. continua Max. continuous speed rpm	Velocità max. intermittente Max. intermittent speed rpm	Velocità min. Min. speed rpm
		P1 bar	P2 bar	P3 bar			
<b>NPH-17</b>	17.04	290	315	325	2500	3000	300
<b>NPH-22</b>	22.15						
<b>NPH-27</b>	26.18						
<b>NPH-34</b>	33.88	280	300	310	2200	2800	
<b>NPH-43</b>	43.12	270	290	300	2000	2500	
<b>NPH-51</b>	50.82	240	260	280			
<b>NPH-61</b>	60.06	220	240	250	1800	2000	
<b>NPH-73</b>	72.88	200	220	230	1600	1800	
<b>NPH-82</b>	81.08	190	210	220	1500		

P1=Pressione max.continua (100%)  
 P2=Pressione max. intermittente (20 sec.max.)  
 P3=Pressione max. di punta (6 sec.max.)

Max. continuous pressure  
 Max. Intermittent pressure  
 Max. peak pressure

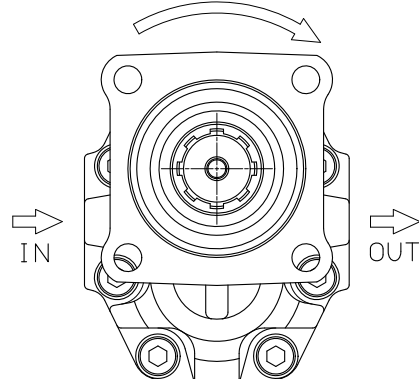
**SENSO DI ROTAZIONE POMPA - DIRECTION OF ROTATION**

**Rotazione antioraria, pompa sinistra**  
 Anti-clockwise rotation, left pump



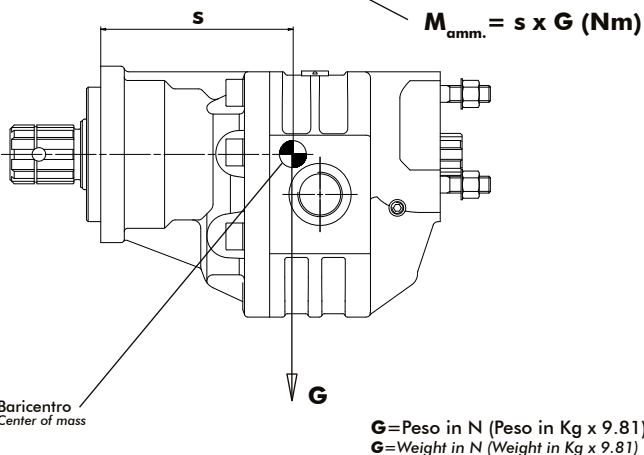
Vista FRONTALE  
FRONT

**Rotazione oraria, pompa destra**  
 Clockwise rotation, right pump



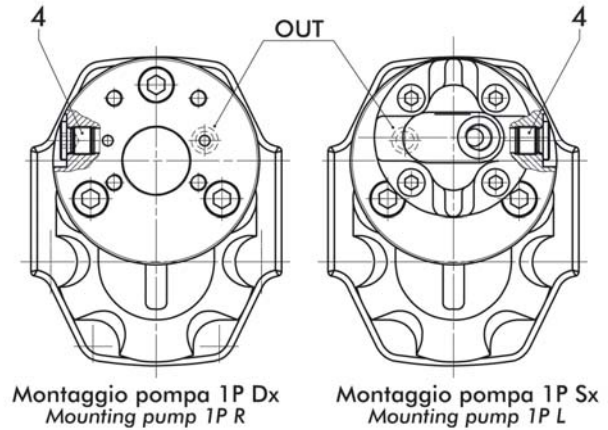
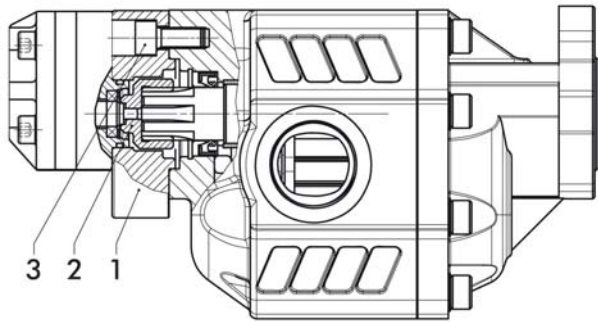
Vista FRONTALE  
FRONT

**MOMENTO PESO / MASS MOMENT**



Tipo pompa - Pump type	S
<b>NPH-17</b>	92
<b>NPH-22</b>	94
<b>NPH-27</b>	98
<b>NPH-34</b>	100
<b>NPH-43</b>	103
<b>NPH-51</b>	105
<b>NPH-61</b>	108
<b>NPH-73</b>	112
<b>NPH-82</b>	115

**PER MODIFICARE IL SENSO DI ROTAZIONE VEDERE ISTRUZ. 997-2-60**  
 TO CHANGE THE DIRECTION OF ROTATION SEE INSTRUCTION 997-2-60

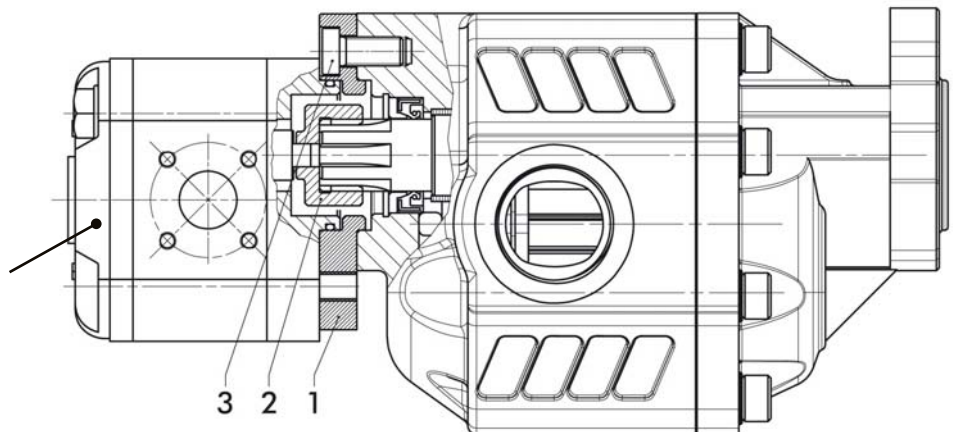
**Pompe 1P**  
**1P pumps****Kit montaggio codice: 105-020-00101**  
**Mounting kit:****Coppia max.**  
**Max. torque 21,5 Nm**

Pos.	Codice Code	Descrizione Description	Q.tà Q.ty
1	528-007-00817	Flangia per montaggio pompe 1P Destra/Sinistra Mounting flange for pumps 1P Left/Right	1
2	114-004-00853	Manicotto Coupling	1
3	502-004-00538	Vite TCE M10x22 UNI 5931 CL 12.9 Hex head screw M10x22 UNI 5931 CL 12.9	3
4	115-006-00117	Tappo TCE 1/4" DIN 908 Hex head plug 1/4" DIN 908	1

**Pompe 2P**  
**2P pumps**

L'applicazione è da utilizzare solo con le pompe:  
The assembly should be used only with the following pumps:

149-200-09433 4cc destra/right  
149-200-09442 4cc sinistra/left  
149-200-09451 6cc destra/right  
149-200-09460 6cc sinistra/left

**Kit montaggio codice: 105-020-00209**  
**Mounting kit:****Coppia max.**  
**Max. torque 70 Nm**

Pos.	Codice Code	Descrizione Description	Q.tà Q.ty
1	528-007-00808	Flangia per montaggio pompe 2P Mounting flange for pumps 2P	1
2	114-004-00844	Manicotto Coupling	1
3	502-000-00149	Vite TCE M10x22 DIN 7984 CL 10.9 Hex head screw M10x22 DIN 7984 CL 10.9	3