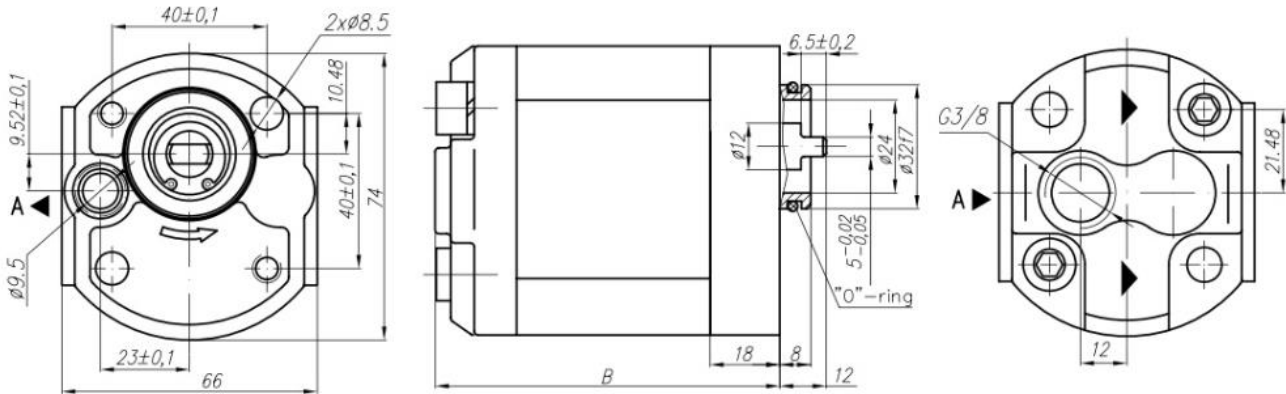
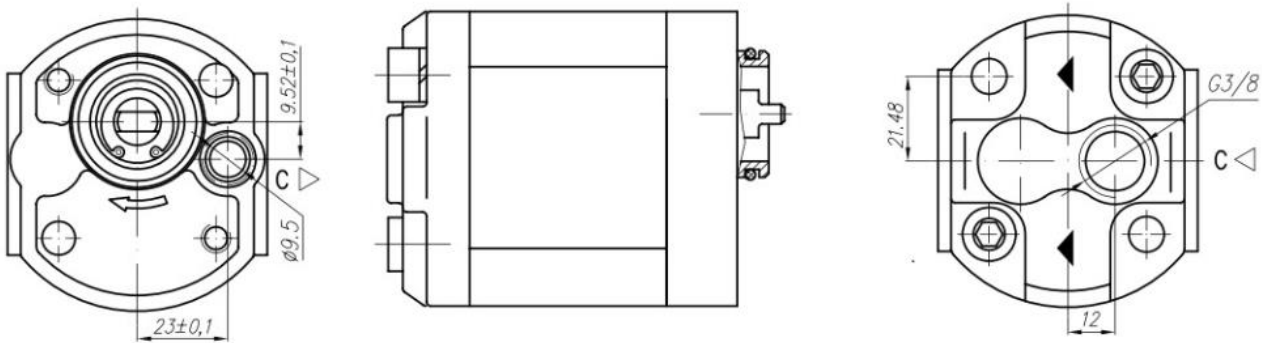


Rotation "A" - (anticlockwise)



Rotation "C" - (clockwise)



Type	Displacement	Flow		Pressure	Max. Speed	Dimension		
		@ 1500 rpm	@ max. rpm			B	Inlet	Outlet
	cm ³ /rev	l/min	l/min	bar	rpm	mm	G	
10A(C)1X302	1	1.4	3.26	250	3500	81	G 3/8" - A	9.2
10A(C)1.25X302	1.25	1.74	4.07	250	3500	82		
10A(C)1.6X302	1.6	2.23	5.21	250	3500	83.6		
10A(C)2X302	2	2.82	6.58	250	3500	85.2		
10A(C)2.5X302	2.5	3.53	8.23	250	3500	87.2		
10A(C)2.65X302	2.65	3.74	8.72	250	3500	87.8		
10A(C)3.15X302	3.15	4.44	10.36	250	3500	89.8		
10A(C)3.65X302	3.65	5.15	12.01	250	3500	91.9		
10A(C)4.2X302	4.2	5.92	13.82	250	3500	94.1		
10A(C)4.7X302	4.7	6.63	15.46	250	3500	97.1		
10A(C)5X302	5	7.05	14.1	250	3000	97.2		
10A(C)5.7X302	5.7	8.12	16.25	200	3000	100.1		
10A(C)6.1X302	6.1	8.69	14.49	180	2500	101.8		
10A(C)7.4X302	7.4	10.55	17.58	180	2500	107.2		
10A(C)8X302	8	11.4	15.2	150	2000	109.7		
10A(C)8.5X302	8.5	12.11	16.15	150	2000	111.7		
10A(C)9.8X302	9.8	13.97	18.62	120	2000	117		