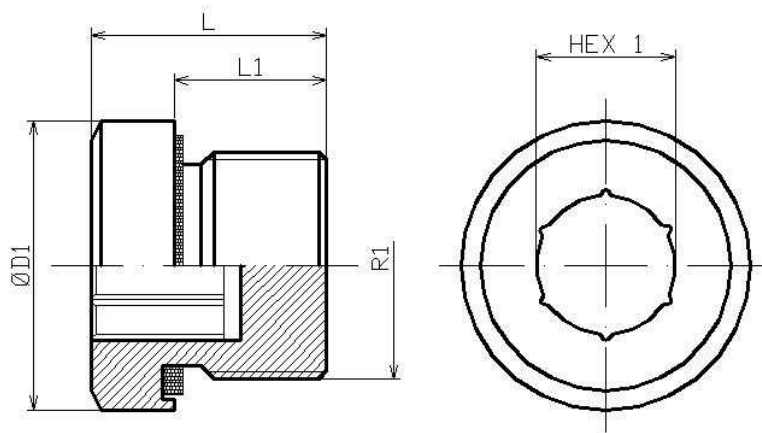


Blanking plug with captive seal BSP cyl

1/1



Part n°	ØD1	R1	Working Pressure (bar)	L	L1	HEX 1
138-02	14	1/8" BSP	400	12	8	5
138-04	19	1/4" BSP	400	17	12	6
138-06	22	3/8" BSP	400	17	12	8
138-08	27	1/2" BSP	400	19	14	10
138-12	32	3/4" BSP	400	21	16	12
138-16	40	1" BSP	400	22,5	16	17
138-20	50	1"1/4 BSP	315	22,5	17	18
138-24	55	1"1/2 BSP	315	22,5	16	24
138-32	70	2" BSP	160	30	24	32