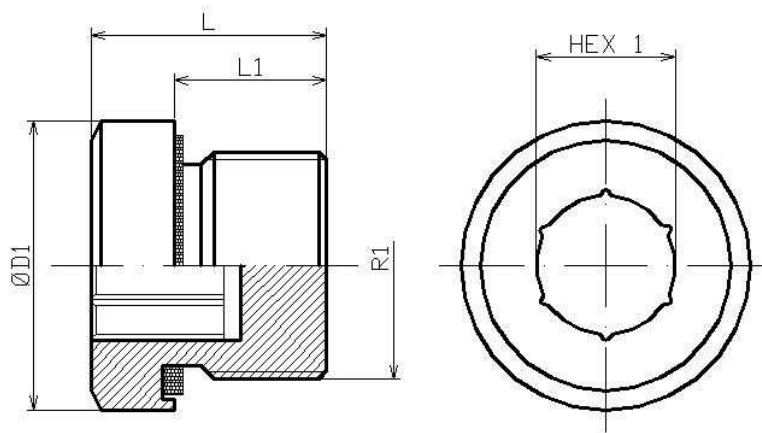


Blanking plug with captive seal Metric cyl

Part n°	ØD1	R1	Working Pressure (bar)	L	L1	HEX 1
138-M10	14	M10X1	400	12	8	5
138-M12x1.25	17	M12X1.25	400	17	12	6
138-M12	17	M12X1.5	400	17	12	6
138-M14	19	M14X1.5	400	17	12	6
138-M16	22	M16X1.5	400	17	12	8
138-M18	24	M18X1.5	400	17	12	8
138-M20	26	M20X1.5	400	19	14	10
138-M22	27	M22X1.5	400	19	14	10
138-M26	32	M26X1.5	400	21	16	12
138-M27	32	M27X2	400	21	16	12
138-M33	40	M33X2	400	22,5	16	17
138-M42	50	M42X2	315	22,5	16	22
138-M48	55	M48X2	315	22,5	16	24