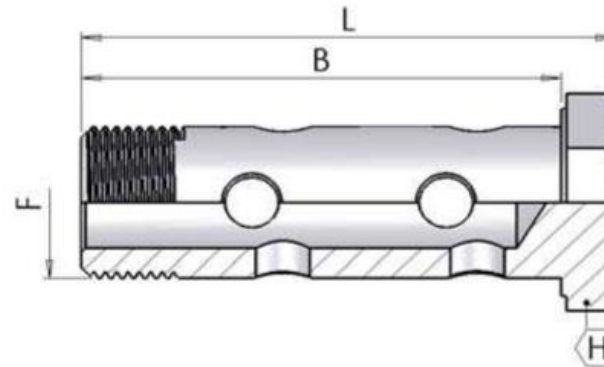


1600 **BSP double perforated bolt**



part number	Dimensions				working pressure	List Price
	F	B	L	H	bar	£
1600-04-04	1/4"-19	43	49	19	350	1.74
1600-06-06	3/8"-19	49	57	22	350	2.32
1600-08-08	1/2"-14	64	62	27	315	3.28
1600-12-12	3/4"-14	78	87	32	250	6.49
1600-16-16	1"-11	98	109	41	200	11.80