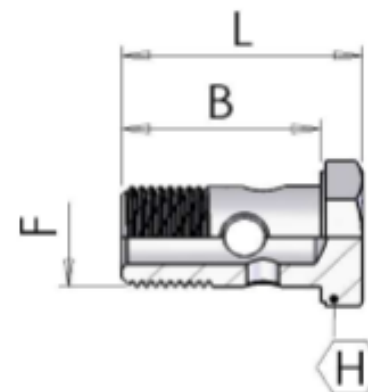


1650 Bullone forato metrico

Metric perfored bolt



	part number	Dimensions			
		F	B	L	H
●	1650-00-10	M10 x 1	19	24	14
●	1650-00-12	M12 x 1.5	26	31	17
●	1650-00-14	M14 x 1.5	29	34	19
●	1650-00-16	M16 x 1.5	33	41	22
●	1650-00-18	M18 x 1.5	37	44	24
◐	1650-00-20	M20 x 1.5	38	46	27
●	1650-00-22	M22 x 1.5	38	46	27
○	1650-00-26	M26 x 1.5	47	56	32
●	1650-00-30	M30 x 1.5	58	68	36