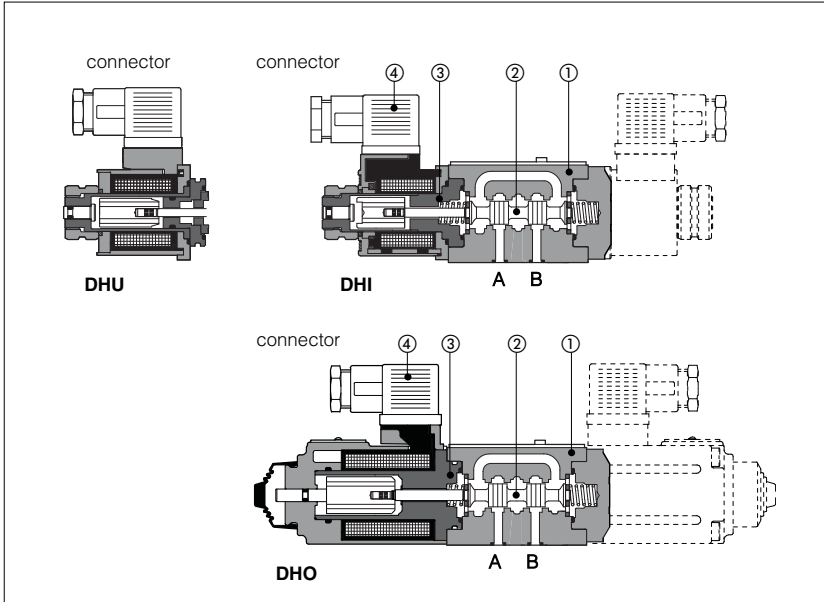


# Solenoid directional valves type DHI, DHU, DHO

direct operated, ISO 4401 size 06



DHI, DHU and DHO are spool type, three or four way, two or three position direct operated solenoid valves designed to operate in oil hydraulic systems.

They are operated by wet and pressure sealed solenoid (3) with manual override and with coils certified according to the North American standard **C UR US**:

- **DHI** for AC and DC supply;
- **DHU** for DC supply with improved performance;
- **DHO** for DC supply with high performance.

Moving parts are protected, lubricated and cushioned in oil.

Shell-moulding casting (1) machined by transfer lines and then cleaned by thermal deburring.

Optimized flow paths largely cored with extrawide channels to tank for low pressure drops.

Interchangeable spools (2) available in a wide variety of configurations.

DHU and DHO valves can be supplied with optional devices for control of switching times.

Standard electric/electronic connectors (4) able to satisfy the requirements of modern machines for electric interfaces characteristics.

Coils are fully encapsulated (class H). In DHI and DHU, coils are easily replaceable without aid of tools.

Rugged execution suitable for outdoor use.

**Surface mounting ISO 4401 size 06.**  
**Max flow up to 60 l/min for DHI/DHU**  
**and up to 80 l/min for DHO.**  
**Max pressure: 350 bar.**

## 1 MODEL CODE

**DHI - 0 63 1/2 /A - X 24 DC \*\* /\***

Directional control valves size 06  
**DHI-0** = AC and DC supply  
**DHU-0** = for DC supply  
**DHO-0** = for DC supply, high performances

Valve configuration, see table 2  
**61** = single solenoid, center plus external position, spring centered  
**63** = single solenoid, 2 external positions, spring offset  
**67** = single solenoid, center plus external position, spring offset  
**70** = double solenoid, 2 external positions, without springs  
**71** = double solenoid, 3 positions, spring centered  
**75** = double solenoid, 2 external positions, with detent  
**77** = double solenoid, center plus external position, without springs  
 Other configurations are available on request.

Spool type, see table 3.

Options, see note 1 at section 5.

**Note:** configuration 63, 70 and 75 are available only with spools type 0/2, 1/2 and 2/2.

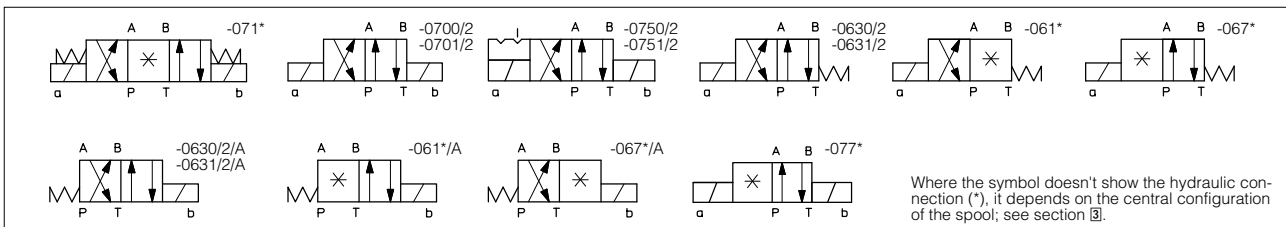
Synthetic fluids  
**WG** = water glycol  
**PE** = phosphate ester

Series number

Voltage code, see section 6  
**00** = valve without coils (only for DHI and DHU).

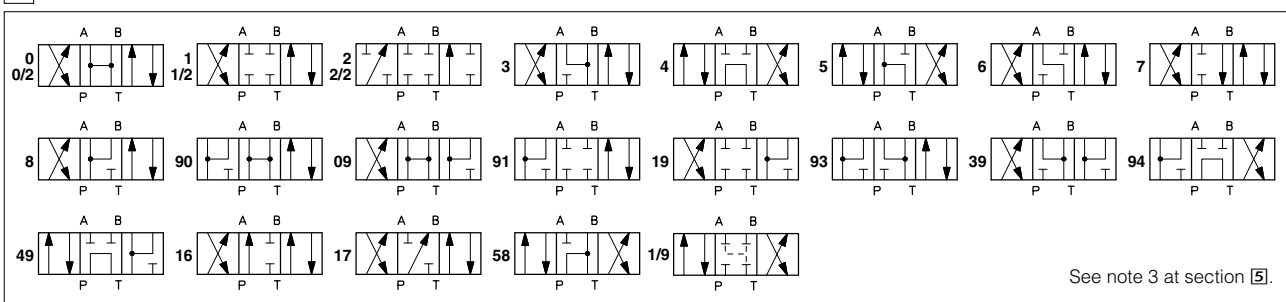
**X** = without connector  
 See note 2 at section 5 for available connectors, to be ordered separately  
 Coils with special connectors, see section 10 (only for DHI and DHU)  
**XJ** = AMP Junior Timer connector  
**XK** = Deutsch connector  
**XS** = Lead Wire connection

## 2 CONFIGURATION



Where the symbol doesn't show the hydraulic connection (\*), it depends on the central configuration of the spool; see section 3.

## 3 SPOOLS - for intermediate passages, see tab. E001.



See note 3 at section 5.

#### 4 MAIN CHARACTERISTICS OF DHI, DHU AND DHO DIRECTIONAL VALVES

Assembly position / location	Any position for all valves except for type - 070* (without springs) that must be installed with horizontal axis if operated by impulses	
Subplate surface finishing	Roughness index $\sqrt{Ra}$ flatness ratio 0,01/100 (ISO 1101)	
Ambient temperature	from -20°C to +70°C	
Fluid	Hydraulic oil as per DIN 51524 .... 535; for other fluids see section 11	
Recommended viscosity	15 ÷ 100 mm <sup>2</sup> /s at 40°C (ISO VG 15 ÷ 100)	
Fluid contamination class	ISO 19/16, achieved with in line filters at 25 µm value to $\beta_{25} \geq 75$ (recommended)	
Fluid temperature	-20°C +60°C (standard and /WG seals) -20°C +80°C (/PE seals)	
Flow direction	As shown in the symbols of tables 2 and 3	
<b>Operating pressure</b> For versions with proximity switches (/FI/NC and /FI/NO versions) maximum counter pressure allowed on T port is 5 bar	<b>DHI</b>	Ports P,A,B: <b>350 bar</b> ; Port T: <b>120 bar</b>
	<b>DHU, DHO</b>	Ports P,A,B: <b>350 bar</b> ; Port T <b>210 bar</b>
Rated flow	See diagrams Q/ $\Delta p$ at section 7	
<b>Maximum flow</b>	<b>60 l/min</b> for DHI and DHU; <b>80 l/min</b> for DHO, see operating limits at section 8	

#### 4.1 Coils characteristics

Insulation class	H (180°C) Due to the occurring surface temperatures of the solenoid coils, the European standards EN563 and EN982 must be taken into account
Connector protection degree DIN 43650	IP 65
Relative duty factor	100%
Supply voltage and frequency	See electric feature 6
Supply voltage tolerance	± 10%
Certification	<b>C UR US</b>

#### 5 NOTES

##### 1 Options

- A** = Solenoid mounted at side of port B (only for single solenoid valves). In standard versions, solenoid is mounted at side of port A.
- WP** = prolonged manual override protected by rubber cap (standard for DHO models) - see section 12.
- L1, L2, L3** = device for switching time control, installed in the valve solenoid (only for DHU and DHO models).  
For spools 4 and 4/8 only device L3 is available.
- F\*** = with proximity switch for monitoring spool position: see tab. E110.
- MV, MO** = auxiliary hand lever positioned vertically (MV) or horizontally (MO). For available configuration and dimensions see table E138.

##### 2 Type of electric/electronic connector DIN 43650, to be ordered separately

- SP-666** = standard connector IP-65, suitable for direct connection to electric supply source.
- SP-667** = as SP-666, but with built-in signal led.
- SP-669** = with built-in rectifier bridge for supplying DC coils by alternate current (AC 110V and 230V - I<sub>max</sub> 1A).
- E-SD** = electronic connector which eliminates electric disturbances when solenoid valves are de-energized.

##### 3 Spools

- spools type **0/2, 1/2, 2/2** are only used for two position valves: single solenoid valves, type DH\*-063\*/2 and double solenoid valves type DH\*-070\*/2 and DH\*-075\*/2.
- spools type **0** and **3** are also available as **0/1** and **3/1** with restricted oil passages in central position, from user ports to tank.
- spools type **1, 4** and **5** are also available as **1/1, 4/8** and **5/1**. They are properly shaped to reduce water-hammer shocks during the swiching.
- spools type **1, 3, 8** and **1/2** are available as **1P, 3P, 8P** and **1/2P** to limit valve internal leakages.
- spool type **1/9** has closed center in rest position but it avoids the pressurization of A and B ports due to the internal leakages.
- Other types of spools can be supplied on request.

#### 6 ELECTRIC FEATURES

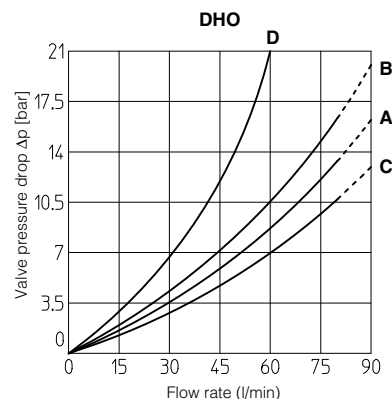
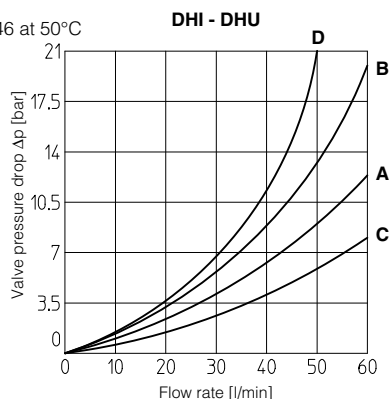
Valve	External supply nominal voltage ± 10%	Voltage code	Type of connector	Power consumption (2)	Code of spare coil		Colour of coil label		
					DHI	DHU			
DHI DHU	6 DC	<b>6 DC</b>	SP-666 or SP-667	33 W	SP-COU-6DC / 80	SP-COU-6DC / 80	brown		
	9 DC	<b>9 DC</b>			SP-COU-9DC / 80	SP-COU-9DC / 80	light blue		
	12 DC	<b>12 DC</b>			SP-COU-12DC / 80	SP-COUR-12DC / 10	green		
	14 DC	<b>14 DC</b>			SP-COU-14DC / 80	SP-COUR-14DC / 10	brown		
	18 DC	<b>18 DC</b>			SP-COU-18DC / 80	SP-COU-18DC / 80	blue		
	24 DC	<b>24 DC</b>			SP-COU-24DC / 80	SP-COUR-24DC / 10	red		
	28 DC	<b>28 DC</b>			SP-COU-28DC / 80	SP-COUR-28DC / 10	silver		
	48 DC	<b>48 DC</b>			SP-COU-48DC / 80	SP-COU-48DC / 80	silver		
	110 DC	<b>110 DC</b>			SP-COU-110DC / 80	SP-COUR-110DC / 10	black		
	125 DC	<b>125 DC</b>			SP-COU-125DC / 80	SP-COU-125DC / 80	silver		
	220 DC	<b>220 DC</b>			SP-COU-220DC / 80	SP-COUR-220DC / 10	black		
	24/50 AC	<b>24/50/60 AC</b>			SP-669	60 VA (3)	SP-COI-24/50/60AC / 80 (1)	-	pink
	48/50 AC						SP-COI-48/50/60AC / 80 (1)	-	white
	48/60 AC	<b>110/50/60 AC</b> <b>120/60 AC</b>			SP-669	40 VA 35 VA	SP-COI-110/50/60AC / 80 (1)	-	yellow
	110/50 AC						SP-COI-120/60AC / 80	-	white
120/60 AC	<b>230/50/60 AC</b> <b>230/60 AC</b>	SP-669	40 VA 35 VA	SP-COI-230/50/60AC / 80 (1)	-	light blue			
230/50 AC				SP-COI-230/60AC / 80	-	silver			
230/60 AC	<b>110RC</b>	SP-669	40 VA 35 VA	SP-COU-110RC / 80	SP-COUR-110RC / 10	gold			
110/50 AC				SP-COU-230RC / 80	SP-COUR-230RC / 10	blue			

- (1) Coil can be supplied also with 60 Hz of voltage frequency: in this case the performances are reduced by 10 ÷ 15% and the power consumption is 55 VA.
- (2) Average values based on tests preformed at nominal hydraulic condition and ambient/coil temperature of 20°C.
- (3) When solenoid is energized, the inrush current is approx 3 times the holding current. Inrush current values correspond to a power consumption of about 150 VA.

Valve	External supply nominal voltage ± 10%	Voltage code	Type of connector	Power consumption (2)	External supply nominal voltage ± 10%	Voltage code	Type of connector	Power consumption (2)
DHO	12 DC	<b>12 DC</b>	SP-666 or SP-667	32 W	110/50 AC	<b>110 DC</b>	SP-669	40 W
	24 DC	<b>24 DC</b>			120/60 AC			35 W
	110 DC	<b>110 DC</b>		230/50 AC	40 W			
	220 DC	<b>220 DC</b>		230/60 AC	35 W			

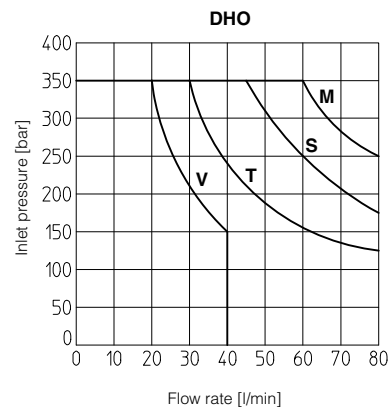
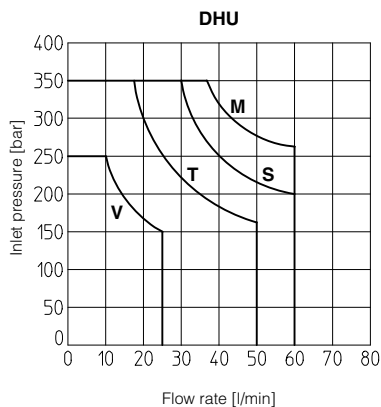
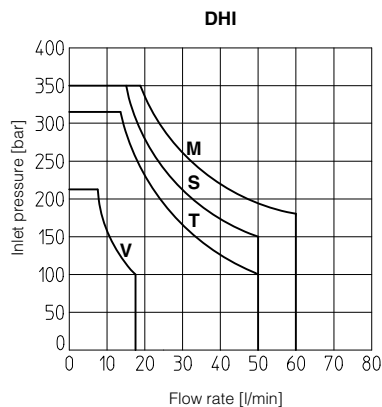
**7 Q/ΔP DIAGRAMS** based on mineral oil ISO VG 46 at 50°C

Flow direction Spool type	P→A	P→B	A→T	B→T	P→T
	0	C	C	C	C
0/2, 1, 1/2	A	A	A	A	
2, 3	A	A	C	C	
2/2, 4, 5, 9*	D	D	D	D	A
6	A	A	C	A	
7	A	A	A	C	
8	C	C	B	B	



**8 OPERATING LIMITS** based on mineral oil ISO VG 46 at 50°C

The diagrams have been obtained with warm solenoids and power supply at lowest value ( $V_{nom} - 10\%$ ). The curves refer to application with symmetrical flow through the valve (i.e. P→A and B→T). In case of asymmetric flow and if the valves have the devices for controlling the switching times the operating limits must be reduced.



M = Spools 0, 1, 1/2, 8  
S = Spools 0/2, 3, 6, 7  
V = Spools 2, 2/2, \*9, 9\*  
T = Spools 4, 5

M = Spools 0, 1, 1/2, 8  
S = Spools 0/2, 3, 6, 7  
V = Spools 2, 2/2, \*9, 9\*  
T = Spools 4, 5

M = Spools 0, 1, 1/2, 8  
S = Spools 0/2, 3, 6, 7  
V = Spools 2, 2/2, \*9, 9\*  
T = Spools 4, 5.

**9 SWITCHING TIMES** (average values in msec)

Valve	DHI		
	Switch-on AC	Switch-on DC	Switch-off
DHI + SP-666 SP-667	30	45	20
DHI + SP-669	45	—	80
DHI + E-SD	30	45	50

Valve	DHU		
	Switch-on AC	Switch-on DC	Switch-off
DHU + SP-666 SP-667	—	45	20
DHU + SP-669	45	—	80
DHU + E-SD	—	45	50
DHU-*/L1	—	60	60
DHU-*/L2	—	80	80
DHU-*/L3	—	110	150

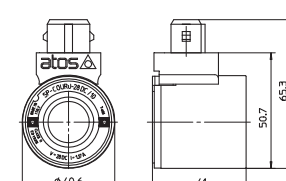
Valve	DHO		
	Switch-on AC	Switch-on DC	Switch-off
DHO + SP-666 SP-667	—	50	20
DHO + SP-669	50	—	80
DHO + E-SD	—	50	50
DHO-*/L1	—	60	60
DHO-*/L2	—	80	80
DHO-*/L3	—	150	150

Test conditions:

- 36 l/min; 150 bar
- nominal voltage
- 2 bar of counter pressure on port T
- mineral oil: ISO VG 46 at 50°C.

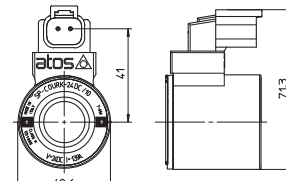
The elasticity of the hydraulic circuit and the variations of the hydraulic characteristics and temperature affect the response time.

**10 COILS TYPE COU\* and COUR\* WITH SPECIAL CONNECTORS** (only for DHI and DHU)



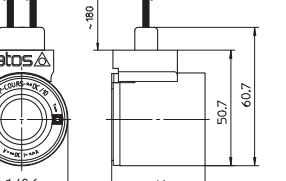
**Options -XJ**

Coil type SP-COUJ, SP-COURJ  
AMP Junior Timer connector  
Protection degree IP67



**Options -XK**

Coil type SP-COURK  
(not available for COU)  
Deutsch connector  
DT-04-2P male  
Protection degree IP67

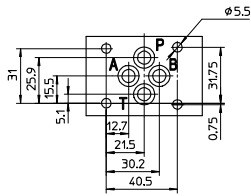


**Options -XS**

Coil type SP-COUS, SP-COURS  
Lead Wire connection  
Cable length = 180 mm

Note: The above coils are available only for voltage supply 12, 14, 24 and 28 Vdc. For the characteristics refer to standard coils features - see sect. 6

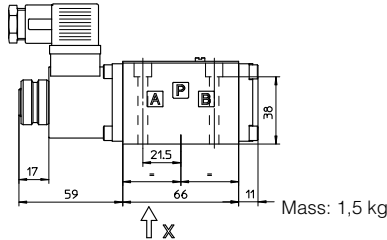
**11 DIMENSIONS [mm]**



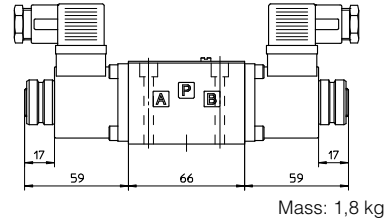
**ISO 4401: 2005**  
**Mounting surface: 4401-03-02-0-05**  
 Fastening bolts:  
 4 socket head screws M5x50 class 12.9  
 Tightening torque = 8 Nm  
 Seals: 4 OR 108  
 Ports P,A,B,T: Ø = 7.5 mm (max).

**P** = PRESSURE PORT  
**A, B** = USE PORT  
**T** = TANK PORT  
 For the max pressures on ports, see section 4

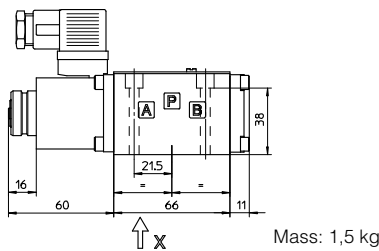
**DHI-06**



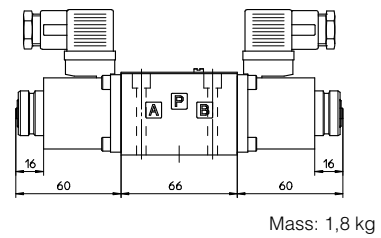
**DHI-07**



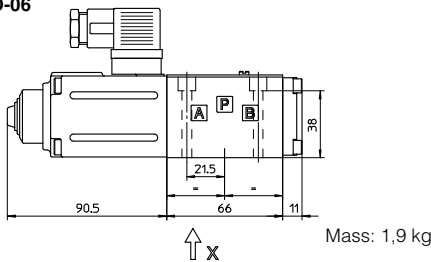
**DHU-06**



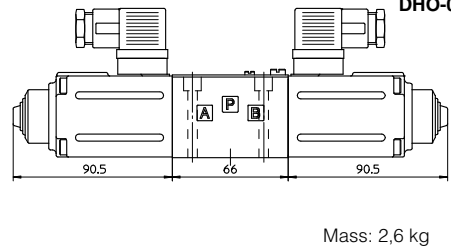
**DHU-07**



**DHO-06**

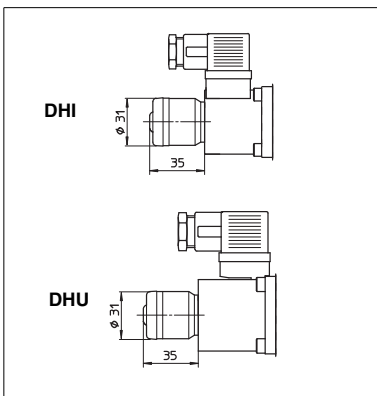


**DHO-07**



Overall dimensions refer to valves with connectors type SP-666

**12 OPTION /WP (for DHI and DHU)**



**13 ELECTRIC CONNECTORS ACCORDING TO DIN 43650**

The connectors must be ordered separately

SP-666, SP-667 (for AC or DC supply)		SP-669 (for AC supply)	
<b>CONNECTOR WIRING</b>			
<b>SP-666, SP-667</b> 1 = Positive ⊕ 2 = Negative ⊖ ⊕ = Coil ground		<b>SP-669</b> 1,2 = Supply voltage V <sub>ac</sub> 3 = Coil ground	
<b>SUPPLY VOLTAGES</b>			
<b>SP-666</b> All voltages	<b>SP-667</b> 24 AC or DC 110 AC or DC 220 AC or DC	110/50 AC 110/60 AC 230/50 AC 230/60 AC	

Note: for electronic connectors type **E-SD**, see tab. K500

**14 MOUNTING SUBPLATES**

Model	Ports location	GAS Ports A-B-P-T	Ø Counterbore [mm] A-B-P-T	Mass [kg]
BA-202	Ports A, B, P, T underneath;	3/8"	-	1,2
BA-204	Ports P, T underneath; ports A, B on lateral side	3/8"	25,5	1,8
BA-302	Ports A, B, P, T underneath	1/2"	30	1,8

The subplates are supplied with 4 fastening bolts M5x50. Also available are multi-station subplates and modular subplates. For further details see table K280.