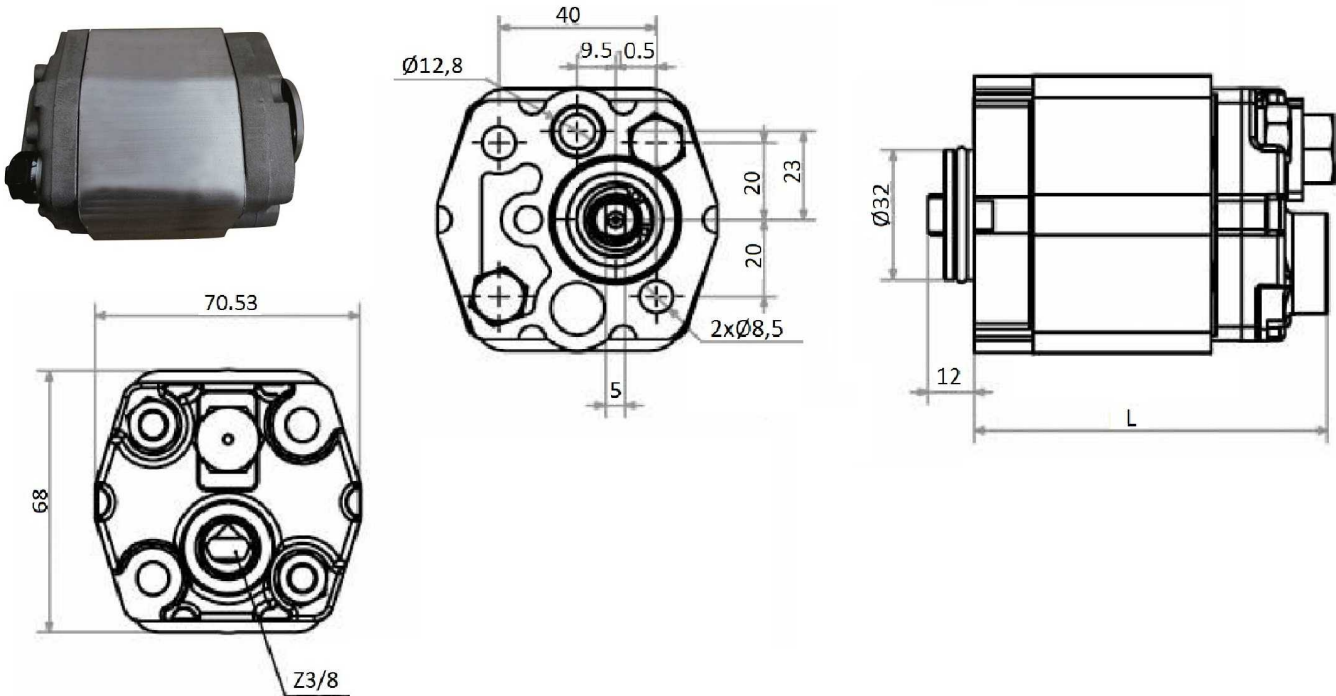


Gear pumps



Part n°	Working Pressure (bar)	Max. Press. (bar)	Max. rotate speed	Rotation speed (rpm)	FLOW (cm ³)	L
MCB11 H-TD	200	250	3500 (rpm)	2500 (rpm)	1	72
MCB16 H-TD	200	250	3500 (rpm)	2500 (rpm)	1,6	74
MCB21 H-TD	200	250	3500 (rpm)	2500 (rpm)	2	76
MCB23 H-TD	200	250	3500 (rpm)	2500 (rpm)	2,5	78
MCB25 H-TD	200	250	3500 (rpm)	2500 (rpm)	2,5	78
MCB27 H-TD	200	250	3500 (rpm)	2500 (rpm)	2,7	80
MCB32 H-TD	200	250	3500 (rpm)	2500 (rpm)	3,2	80
MCB37 H-TD	200	220	3500 (rpm)	2500 (rpm)	3,7	82
MCB42 H-TD	200	200	3500 (rpm)	2500 (rpm)	4,2	84
MCB48 H-TD	200	200	3500 (rpm)	2500 (rpm)	4,8	86
MCB58 H-TD	200	200	3500 (rpm)	2500 (rpm)	5,8	90
MCB70 H-TD	200	200	3500 (rpm)	2500 (rpm)	7	94
MCB80 H-TD	200	200	3500 (rpm)	2500 (rpm)	8	98
MCB98 H-TD	200	200	3500 (rpm)	2500 (rpm)	9 CC	102

COUNTER-CLOCKWISE