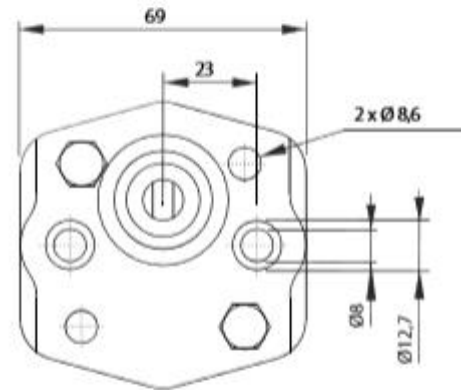
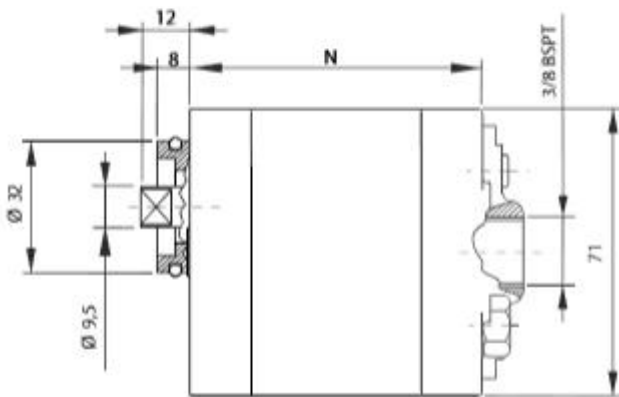


Main Features

- Up to 320 bar
- Heavy duty purpose



Technical table

Satek ordering code	Nominal displacement [cc/rev]	Maximum pressure [bar]	Intermittent pressure [bar]	Continuous pressure [bar]	Max speed [rpm]	N [mm]	Weight [Kg]
P1065HP	0.65	320	300	280	4500	58,8	0,70
P1100HP	1.0	320	300	280	4500	63,3	0,75
P1160HP	1.6	320	300	280	4500	65,2	0,78
P1200HP	2.0	320	300	300	4500	66,0	0,81
P1250HP	2.5	320	300	300	4000	67,9	0,84
P1330HP	3.3	320	300	300	3800	70,0	0,87
P1380HP	3.8	310	290	280	3500	72,2	0,90
P1420HP	4.2	310	290	280	3200	74,5	0,93
P1480HP	4.8	300	280	270	3000	76,0	0,96
P1580HP	5.8	280	260	250	3000	80,0	1,00