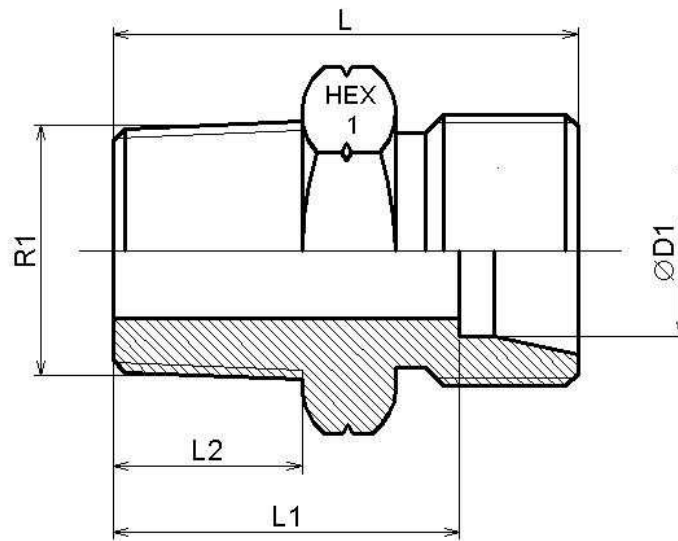


**Straight male stud coupling NPT**

Part n°	ØD1	Serie	R1	Working Pressure (bar)	L	L1	L2	HEX 1
STA AKL 6 1/8 NPT	6	L	1/8" NPT	315	24	17	10	12
STA AKL 6 1/4 NPT	6	L	1/4" NPT	315	30	23	15	17
STA AKL 8 1/4 NPT	8	L	1/4" NPT	315	30	23	15	17
STA AKL 10 1/4 NPT	10	L	1/4" NPT	315	31	24	15	17
STA AKL 12 1/4 NPT	12	L	1/4" NPT	315	32	25	15	19
STA AKL 12 3/8 NPT	12	L	3/8" NPT	315	32	25	15,5	19
STA AKL 12 1/2 NPT	12	L	1/2" NPT	315	37	30	20	22
STA AKL 15 1/2 NPT	15	L	1/2" NPT	315	38	31	20	24
STA AKL 18 1/2 NPT	18	L	1/2" NPT	315	39	31,5	20	27
STA AKL 22 3/4 NPT	22	L	3/4" NPT	400	41	33,5	20	32
STA AKL 28 1 NPT	28	L	1" NPT	400	47	39,5	25	41
STA AKL 35 1 1/4 NPT	35	L	1"1/4 NPT	400	51	40,5	25,5	46
STA AKL 42 1 1/2 NPT	42	L	1"1/2 NPT	400	53	42	26	55
STA AKS 6 1/4 NPT	6	S	1/4" NPT	630	35	28	15	17
STA AKS 8 1/4 NPT	8	S	1/4" NPT	630	35	28	15	17
STA AKS 10 1/4 NPT	10	S	1/4" NPT		35	27,5	15	19
STA AKS 10 3/8 NPT	10	S	3/8" NPT	630	35	27,5	15,5	19
STA AKS 12 3/8 NPT	12	S	3/8" NPT	630	37	29,5	15,5	22
STA AKS 12 1/2 NPT	12	S	1/2" NPT	630	42	34,5	20	22
STA AKS 14 1/2 NPT	14	S	1/2" NPT	630	44	36	20	24
STA AKS 16 1/2 NPT	16	S	1/2" NPT	630	44	35,5	20	27
STA AKS 20 3/4 NPT	20	S	3/4" NPT	630	48	37,5	20	32
STA AKS 25 1 NPT	25	S	1" NPT	250	57	45	25	41
STA AKS 30 1 1/4 NPT	30	S	1"1/4 NPT	250	60	46,5	25,5	46
STA AKS 38 1 1/2 NPT	38	S	1"1/2 NPT	250	65	49	26	55