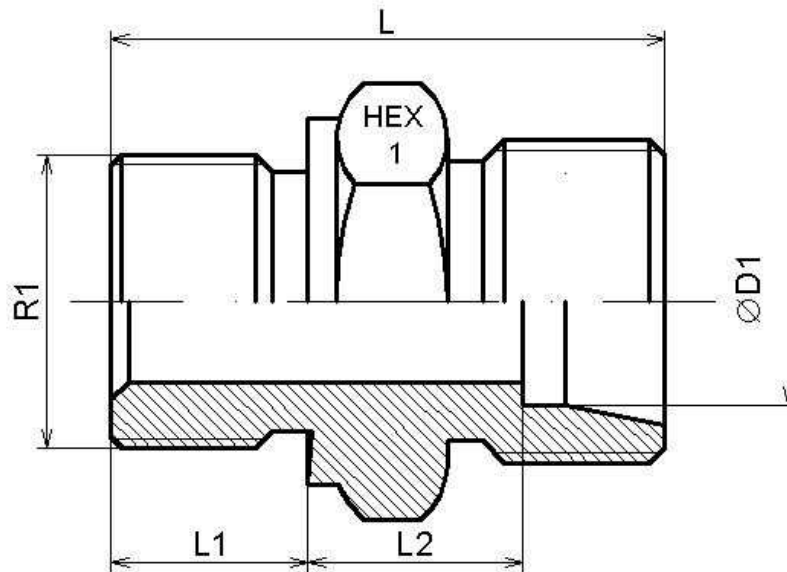


**Straight male stud coupling BSP cyl.**

1/2



Part nº	ØD1	Serie	R1	Working Pressure (bar)	L	L1	L2	HEX 1
STA AL 6 R 1/8	6	L	1/8 BSP	315	23,5	8	8,5	14
STA AL 6 R 1/4	6	L	1/4 BSP	315	29	12	10	19
STA AL 6 R 3/8	6	L	3/8 BSP	315	30,5	12	11,5	22
STA AL 6 R 1/2	L	L	1/2 BSP	315	33	14	12	27
STA AL 8 R 1/8	8	L	1/8" BSP	315	24,5	8	9	14
STA AL 8 R 1/4	8	L	1/4" BSP	315	29	12	10	19
STA AL 8 R 3/8	8	L	3/8" BSP	315	30,5	12	11,5	22
STA AL 8 R 1/2	8	L	1/2" BSP	315	33	14	12	27
STA AL 10 R 1/8	10	L	1/8" BSP	315	25,5	8	10,5	17
STA AL 10 R 1/4	10	L	1/4" BSP	315	30	12	11	19
STA AL 10 R 3/8	10	L	3/8" BSP	315	31,5	12	12,5	22
STA AL 10 R 1/2	10	L	1/2" BSP	315	34	14	13	27
STA AL 12 R 1/4	12	L	1/4" BSP	315	31	12	12	19
STA AL 12 R 3/8	12	L	3/8" BSP	315	31,5	12	12,5	22
STA AL 12 R 1/2	12	L	1/2" BSP	315	34	14	13	27
STA AL 12 R 3/4	12	L	3/4" BSP	315	37	16	14	32
STA AL 15 R 3/8	15	L	3/8" BSP	250	32,5	12	14	24
STA AL 15 R 1/2	15	L	1/2" BSP	250	35	14	14	27
STA AL 15 R 3/4	15	L	3/4" BSP	315	38	16	15	32
STA AL 18 R 1/2	18	L	1/2" BSP	250	36	14	14,5	27
STA AL 18 R 3/4	18	L	3/4" BSP	250	38	16	14,5	32
STA AL 18 R 3/8	18	L	3/8" BSP	250	33,5	12	14	27
STA AL 22 R 1/2	22	L	1/2" BSP	160	38	14	16,5	32
STA AL 22 R 3/4	22	L	3/4" BSP	160	40	16	16,5	32
STA AL 22 R 1	22	L	1" BSP	160	43	18	17,5	41
STA AL 28 R 3/4	28	L	3/4" BSP	160	41	16	17,5	41
STA AL 28 R 1	28	L	1" BSP	160	43	18	17,5	41

**Straight male stud coupling BSP cyl.**

Part n°	ØD1	Serie	R1	Working Pressure (bar)	L	L1	L2	HEX 1
<b>STA AL 35 R 1</b>	35	L	1" BSP	160	46	18	18,5	46
<b>STA AL 35 R 1 1/4</b>	35	L	1 1/4" BSP	160	48	20	17,5	50
<b>STA AL 42 R 1 1/2</b>	42	L	1 1/2" BSP	160	52	22	19	55
<b>STA AS 6 R 1/4</b>	6	S	1/4" BSP	400	32	12	13	19
<b>STA AS 8 R 1/4</b>	8	S	1/4" BSP	400	34	12	15	19
<b>STA AS 8 R 3/8</b>	8	S	3/8" BSP	400	34,5	12	15,5	22
<b>STA AS 10 R 1/4</b>	10	S	1/4" BSP	400	34	12	14,5	19
<b>STA AS 10 R 3/8</b>	10	S	3/8" BSP	400	34,5	12	15	22
<b>STA AS 10 R 1/2</b>	10	S	1/2" BSP	400	39	14	17,5	27
<b>STA AS 12 R 1/4</b>	12	S	1/4" BSP	400	36	12	16,5	22
<b>STA AS 12 R 3/8</b>	12	S	3/8" bsp	400	36,5	12	17	22
<b>STA AS 12 R 1/2</b>	12	S	1/2" BSP	400	39	14	17,5	27
<b>STA AS 14 R 3/8</b>	14	S	3/8" BSP	400	38,5	12	18,5	24
<b>STA AS 14 R 1/2</b>	14	S	1/2" BSP	400	41	14	19	27
<b>STA AS 16 R 3/8</b>	16	S	3/8" BSP	400	38,5	12	18	27
<b>STA AS 16 R 1/2</b>	16	S	1/2" BSP	400	41	14	18,5	27
<b>STA AS 16 R 3/4</b>	16	S	3/4" BSP	400	45	16	20,5	32
<b>STA AS 20 R 1/2</b>	20	S	1/2" BSP	400	45	14	20,5	32
<b>STA AS 20 R 3/4</b>	20	S	3/4" BSP	400	47	16	20,5	32
<b>STA AS 25 R 3/4</b>	25	S	3/4" BSP	250	51	16	23	41
<b>STA AS 25 R 1</b>	25	S	1" BSP	250	53	18	23	41
<b>STA AS 30 R 1</b>	30	S	1" BSP	160	55	18	23,5	46
<b>STA AS 30 R 1 1/4</b>	30	S	1 1/4	160	57	20	23,5	50
<b>STA AS 38 R 1 1/4</b>	38	S	1 1/4	160	62	20	26	55
<b>STA AS 38 R 1 1/2</b>	38	S	1 1/2	160	64	22	26	55