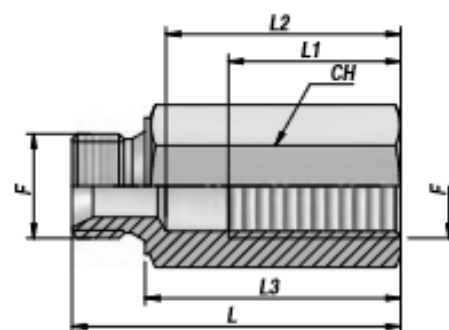


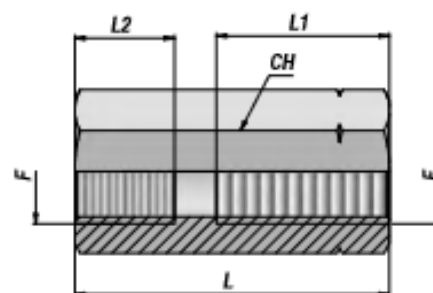
**COLLETTORE PER VALVOLA "VUBA"**  
 "VUBA" VALVE ADAPTER  
 GEHÄUSE FÜR "VUBA" VENTILE

**VCG391**

**VCG392**



**TYPE CMF**



**TYPE CFF**



Codice Code Bestell-Nr.	F BSP	P MAX bar	Tipo Type Typ	L	L1	L2	L3	CH	kg x 100
VCG391.100000	1/4"	300	CMFxVUBA-010	50	23	31	38	19	7,00
VCG391.200000	3/8"	300	CMFxVUBA-020	60	30	43	48	22	9,50
VCG391.300000	1/2"	300	CMFxVUBA-030	63	33	45	49	27	14,70
VCG391.400000	3/4"	300	CMFxVUBA-040	75	36	50	59	32	22,50
VCG391.500000	1"	250	CMFxVUBA-050	88	46	60	70	41	42,50
			FEMMINA-FEMMINA FEMALE-FEMALE INNEN-INNENGEWINDE						
VCG392.100000	1/4"	300	CFFxVUBA-010	50	20	12	-	19	7,00
VCG392.200000	3/8"	300	CFFxVUBA-020	58	27	14	-	22	9,80
VCG392.300000	1/2"	300	CFFxVUBA-030	60	33	19	-	27	14,50
VCG392.400000	3/4"	300	CFFxVUBA-040	76	36	19	-	32	22,20
VCG392.500000	1"	250	CFFxVUBA-050	85	46	18	-	41	43,50

MATERIALE - MATERIAL: ACCIAIO - STEEL - STAHL