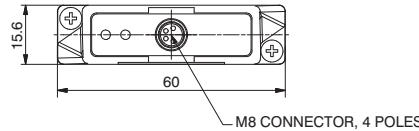
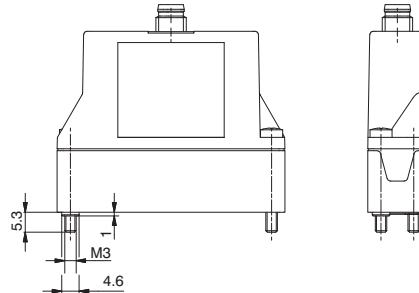
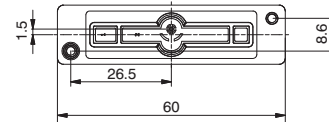
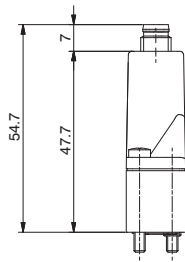
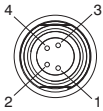




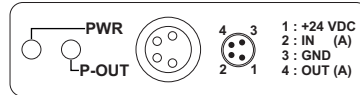
Proportional pressure regulator



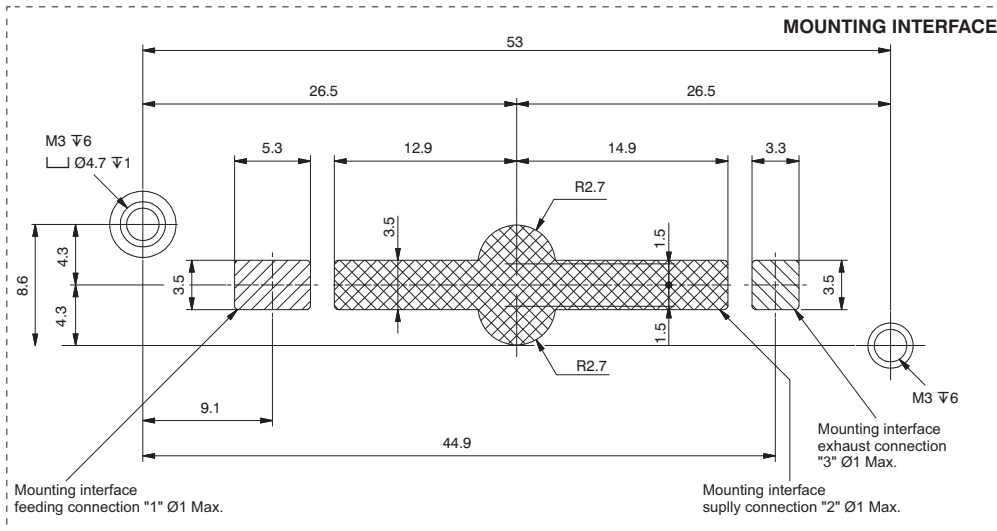
M8 CONNECTOR, 4 POLES



PIN	DESCRIPTION
1	+24 VDC
2	ANALOG INPUT
3	GND
4	ANALOG OUTPUT



PWR	Green Led: The regulator is properly powered
P-OUT	Green Led: lights up when the outlet pressure is higher than the desired pressure minus 0.2 bar and less than the desired pressure more 0.2 bar

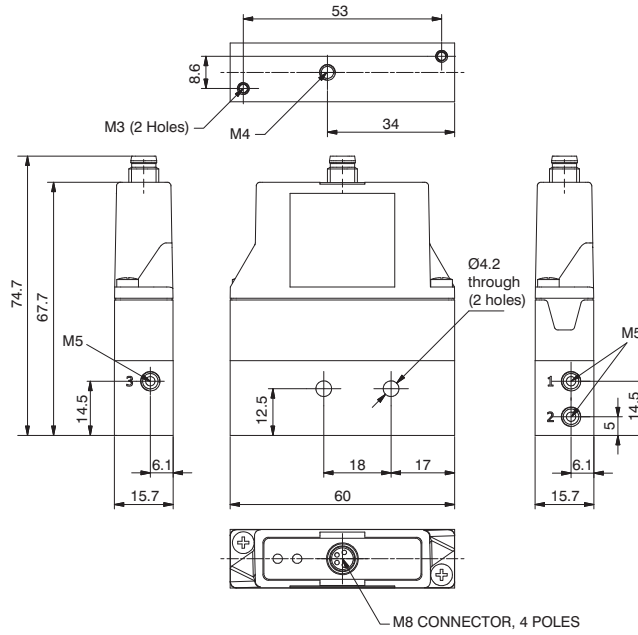


Ordering code

1700EM.V.M.G

PROTECTION	
P	0 = Parameter 18 active 2 = Parameter 18 not active
VERSION	
V	T = Voltage signal C = Current signal
PRESSURE RANGE	
G	001= Range 0 - 1 bar 005= Range 0 - 5 bar 009= Range 0 - 9 bar

Proportional Pressure Regulator c/w M5 In-Line Single Base



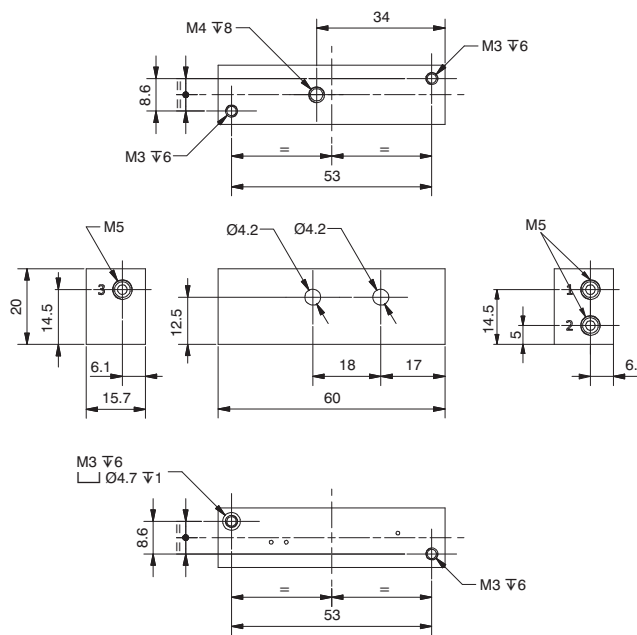
Ordering code

170EPM.V.M.G.FO

- PROTECTION**
 P 0 = Parameter 18 active
 2 = Parameter 18 not active
- VERSION**
 V T = Voltage signal
 C = Current signal
- PRESSURE RANGE**
 G 001 = Range 0 - 1 bar
 005 = Range 0 - 5 bar
 009 = Range 0 - 9 bar

Weight: 110 gr.

M5 In-Line Single Base



Ordering code

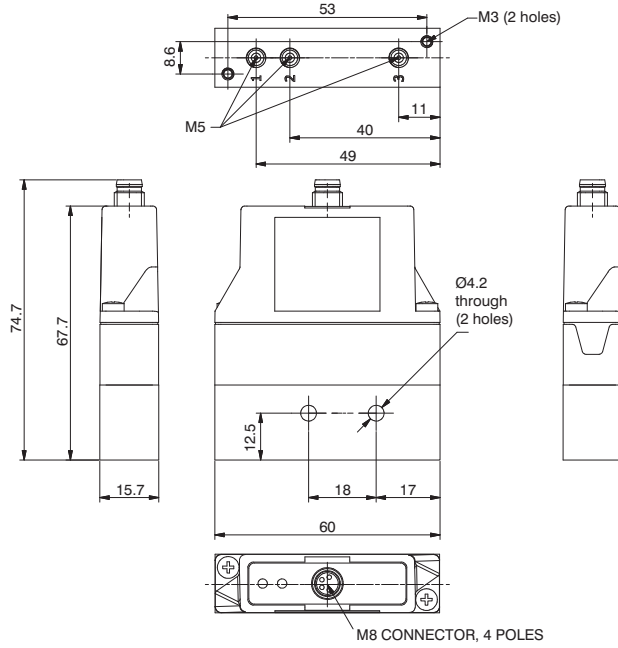
170M1.FO

Weight: 50 gr.

3



Proportional Pressure Regulator c/w M5 Bottom Entry Base



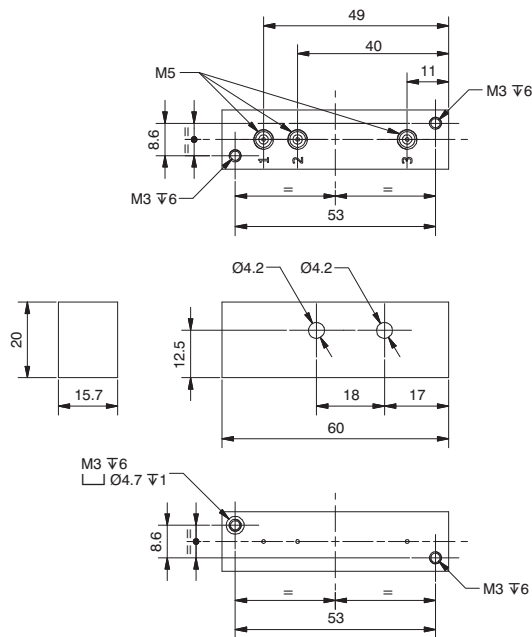
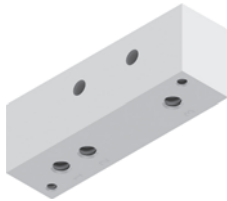
Ordering code

170EPM.V.M.G.FV

P	PROTECTION
0	= Parameter 18 active
2	= Parameter 18 not active
V	VERSION
T	= Voltage signal
C	= Current signal
G	PRESSURE RANGE
001	= Range 0 - 1 bar
005	= Range 0 - 5 bar
009	= Range 0 - 9 bar

Weight: 110 gr.

M5 Bottom Entry Single Base

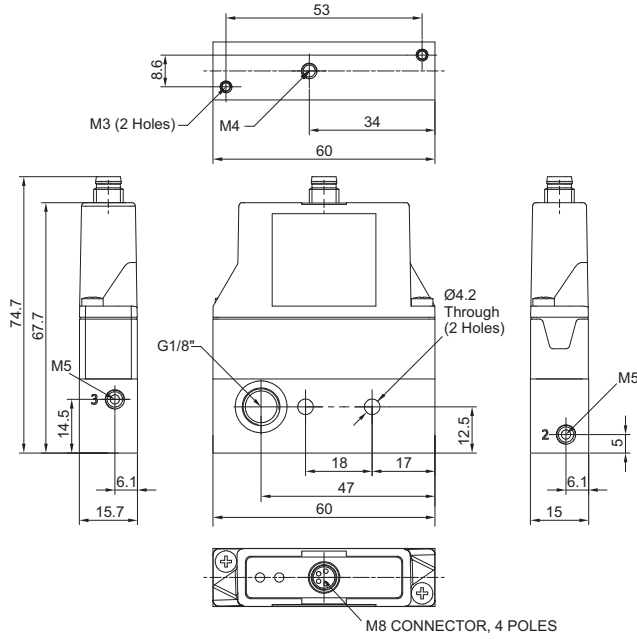


Ordering code

170M1.FV

Weight: 50 gr.

Proportional Pressure Regulator c/w Modular In-Line Base



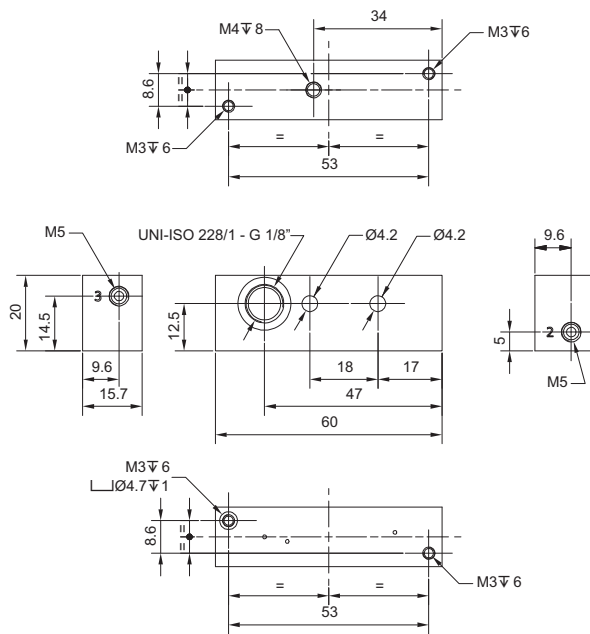
Ordering code

170E2M.V.M.G.FP

- PROTECTION
P 0 = Parameter 18 active
 2 = Parameter 18 not active
 VERSION
V T = Voltage signal
 C = Current signal
 PRESSURE RANGE
G 001 = Range 0 - 1 bar
 005 = Range 0 - 5 bar
 009 = Range 0 - 9 bar

Weight: 110 gr.

Single Modular In-Line Base

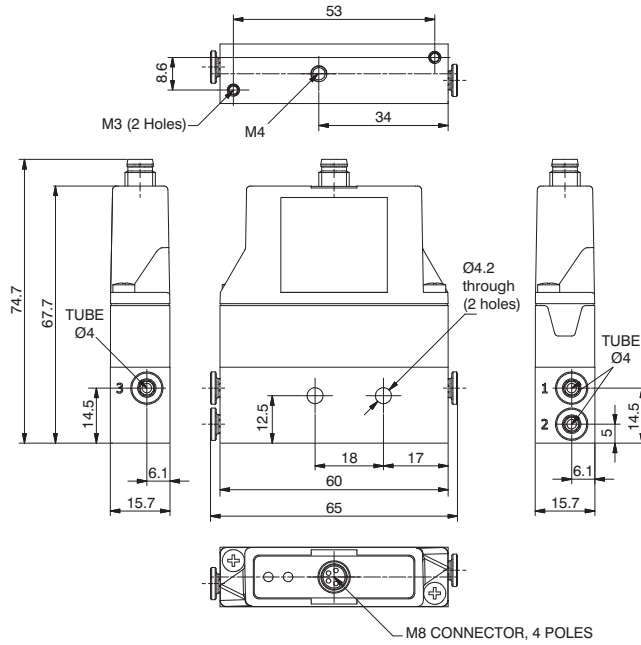


Ordering code

170M1.FP

Weight: 50 gr.

Proportional Pressure Regulator c/w 4mm In-Line Single base



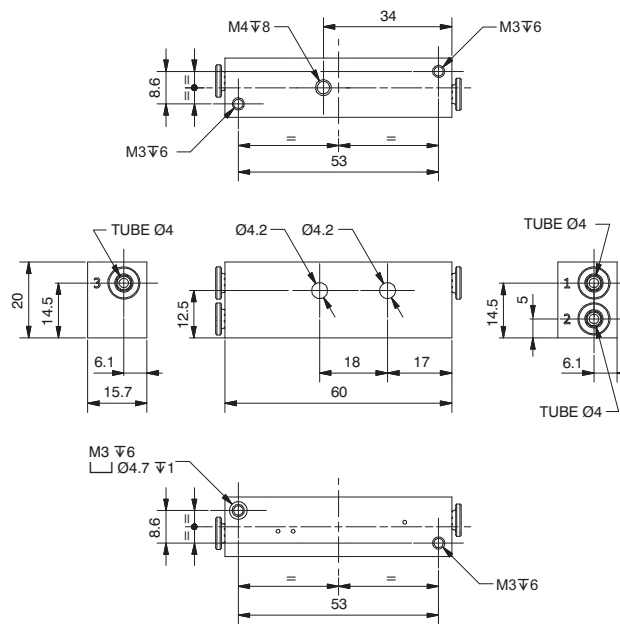
Ordering code

170EM.V.M.G.TO

P	PROTECTION
0	= Parameter 18 active
2	= Parameter 18 not active
V	VERSION
T	= Voltage signal
C	= Current signal
G	PRESSURE RANGE
001	= Range 0 - 1 bar
005	= Range 0 - 5 bar
009	= Range 0 - 9 bar

Weight: 110 gr.

Single 4mm In-Line Base



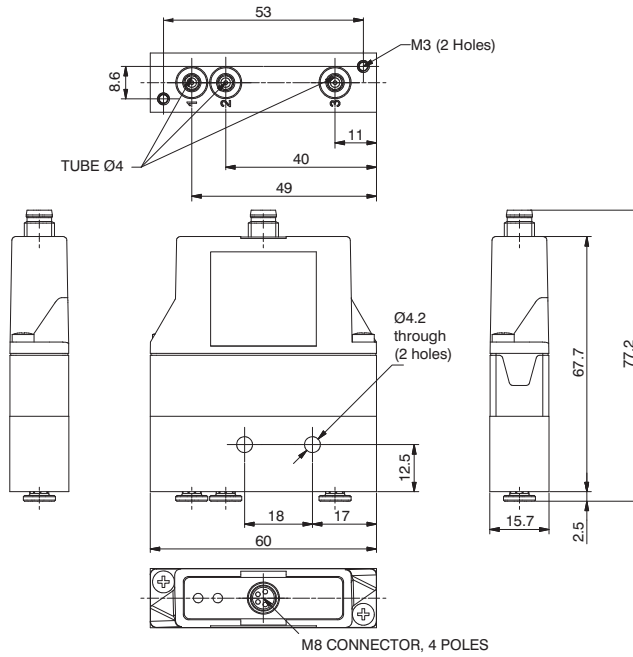
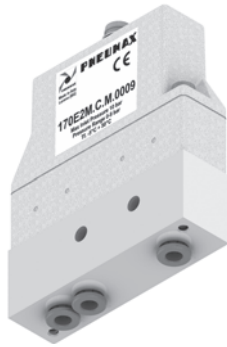
Ordering code

170M1.TO

Weight: 50 gr.

3

Proportional Pressure Regulator c/w 4mm Bottom Entry Single Base



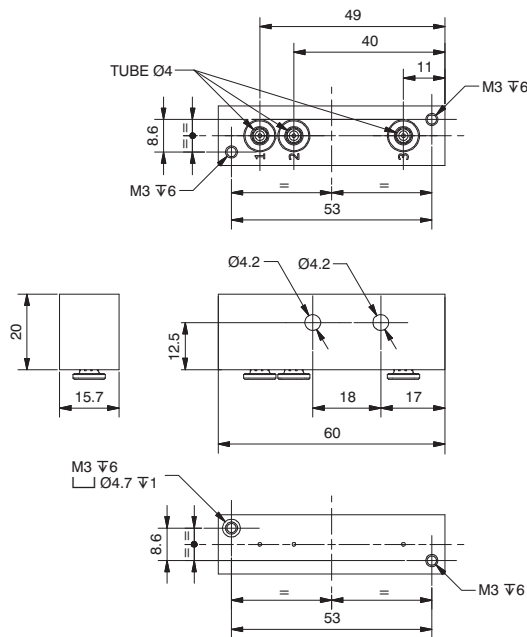
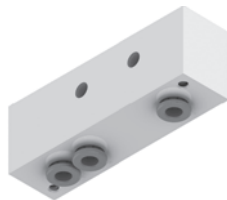
Ordering code

170E2M.V.M.G.TV

- PROTECTION
- P** 0 = Parameter 18 active
2 = Parameter 18 not active
- VERSION
- V** T = Voltage signal
C = Current signal
- PRESSURE RANGE
- G** 001 = Range 0 - 1 bar
005 = Range 0 - 5 bar
009 = Range 0 - 9 bar

Weight: 110 gr.

Single 4mm Bottom Entry Base



Ordering code

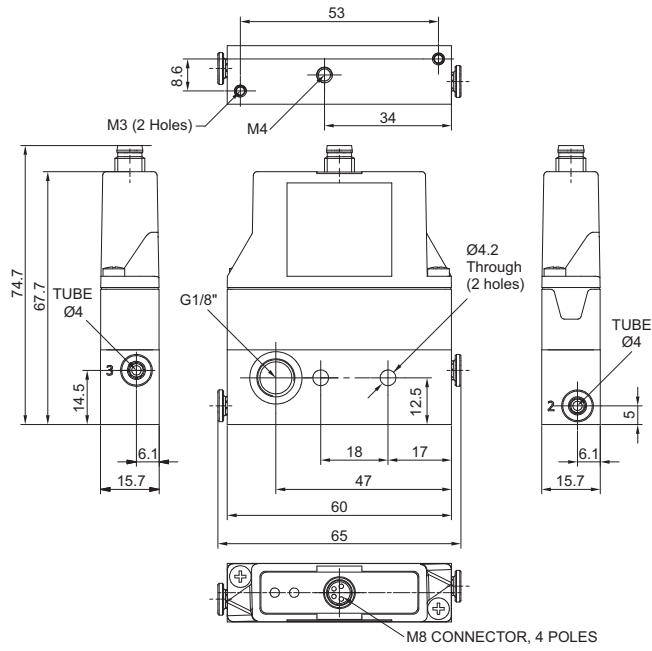
170M1.TV

Weight: 50 gr.

3



Proportional Pressure Regulator c/w 4mm In-Line Modular Base



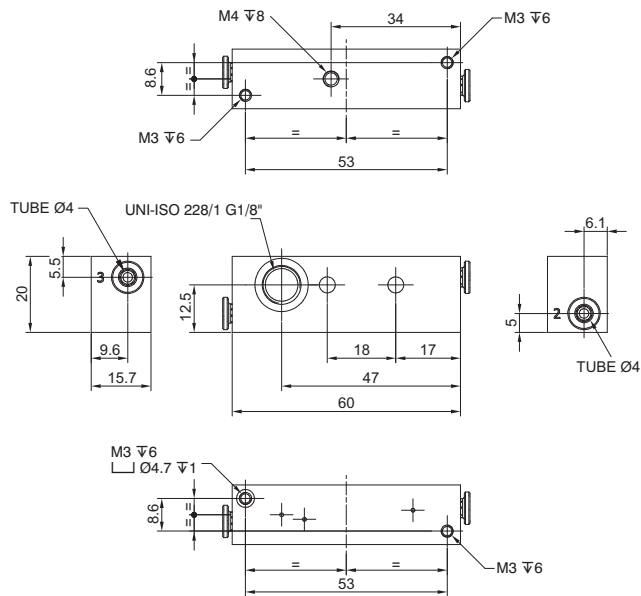
Weight: 110 gr.

Ordering code

170EPM.V.M.G.TP

P	PROTECTION
0	= Parameter 18 active
2	= Parameter 18 not active
V	VERSION
T	= Voltage signal
C	= Current signal
G	PRESSURE RANGE
001	= Range 0 - 1 bar
005	= Range 0 - 5 bar
009	= Range 0 - 9 bar

Single 4mm In-Line Modular Base



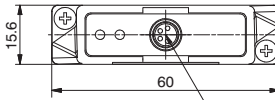
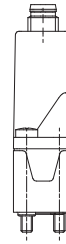
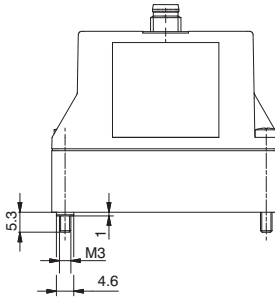
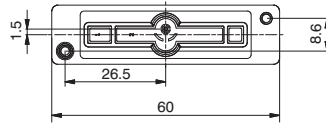
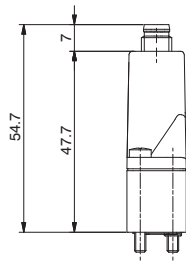
Weight: 50 gr.

Ordering code

170M1.TP

3

Proportional pressure regulator with external feedback



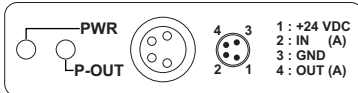
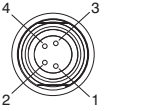
M8 CONNECTOR, 4 POLES

Ordering code

170EPM.V.M.C.E

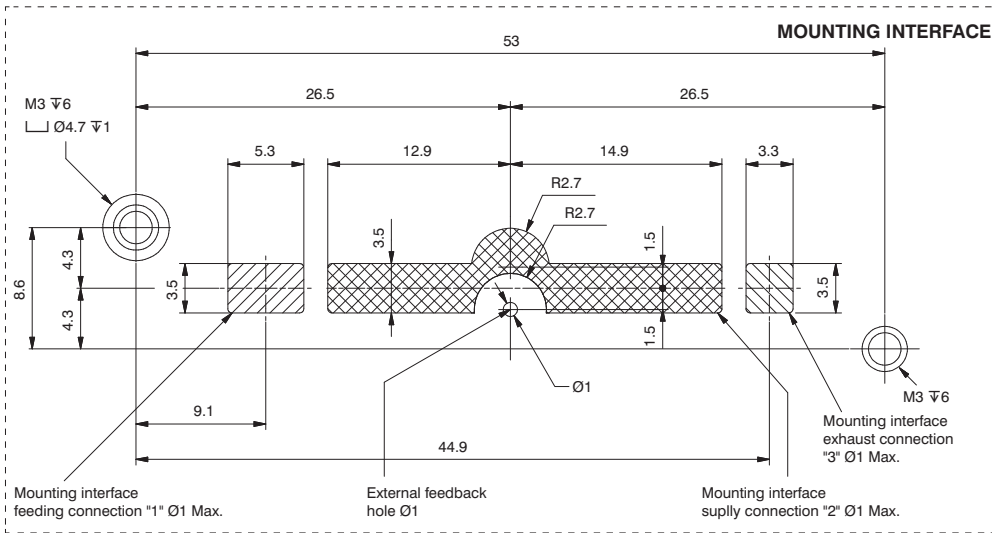
- PROTECTION**
- P** 0 = Parameter 18 active
2 = Parameter 18 not active
- VERSION**
- V** T = Voltage signal
C = Current signal
- PRESSURE RANGE**
- G** 001 = Range 0 - 1 bar
005 = Range 0 - 5 bar
009 = Range 0 - 9 bar

M8 CONNECTOR, 4 POLES



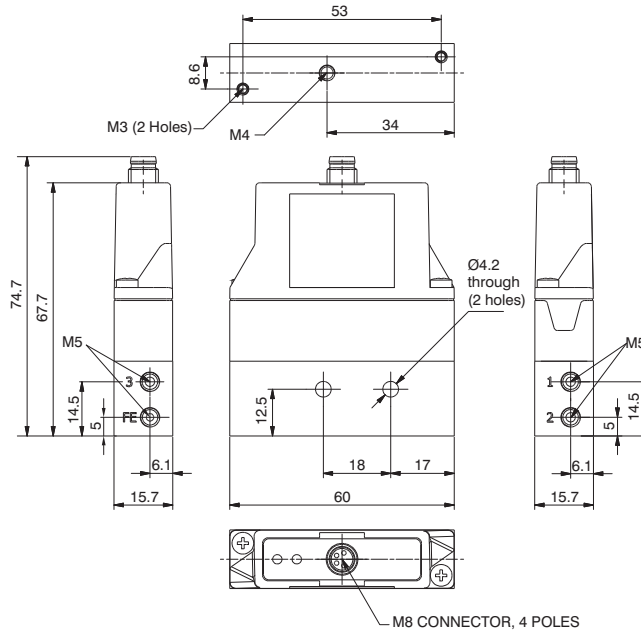
PIN	DESCRIPTION
1	+24 VDC
2	ANALOG INPUT
3	GND
4	ANALOG OUTPUT

PWR	Green Led: The regulator is properly powered
P-OUT	Green Led: lights up when the outlet pressure is higher than the desired pressure minus 0.2 bar and less than the desired pressure more 0.2 bar





Proportional Pressure Regulator c/w M5 In-Line Single Base with External Feedback



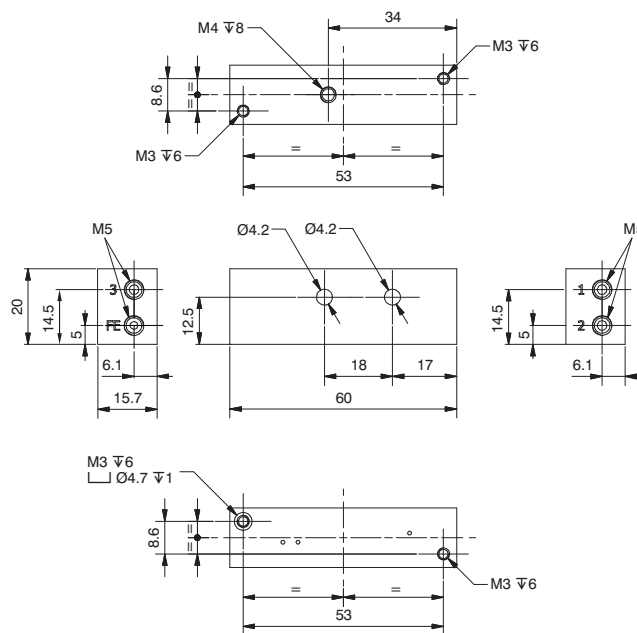
Ordering code

170E0M.V.M.G.EFO

P	PROTECTION
0	= Parameter 18 active
2	= Parameter 18 not active
V	VERSION
T	= Voltage signal
C	= Current signal
G	PRESSURE RANGE
001	= Range 0 - 1 bar
005	= Range 0 - 5 bar
009	= Range 0 - 9 bar

Weight: 110 gr.

Single M5 In-Line Base with External Feedback



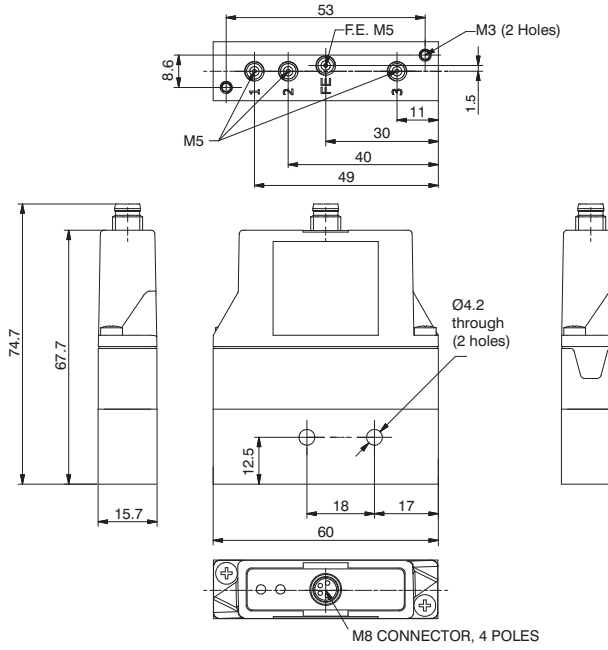
Ordering code

170M1.EFO

Weight: 50 gr.

3

Proportional Pressure Regulator c/w M5 Bottom Entry Base with External Feedback



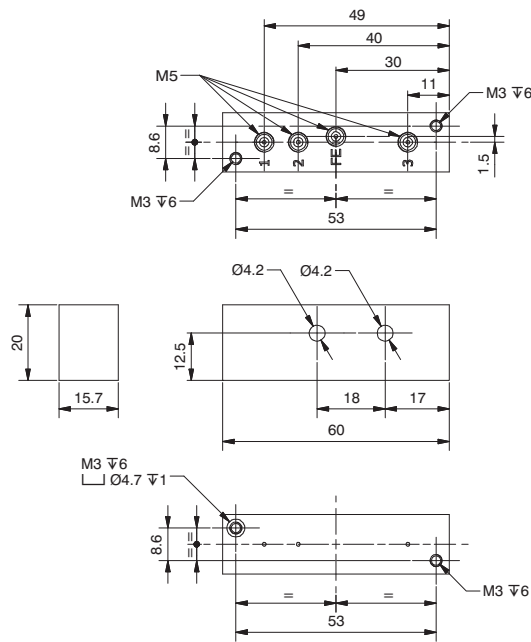
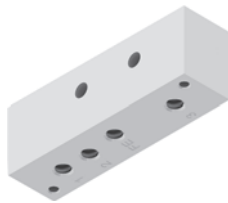
Ordering code

170EPM.V.M.C.EFV

- PROTECTION
 P 0 = Parameter 18 active
 2 = Parameter 18 not active
 VERSION
 V T = Voltage signal
 C = Current signal
 PRESSURE RANGE
 G 001 = Range 0 - 1 bar
 005 = Range 0 - 5 bar
 009 = Range 0 - 9 bar

Weight: 110 gr.

Single M5 Bottom Entry Base with External Feedback

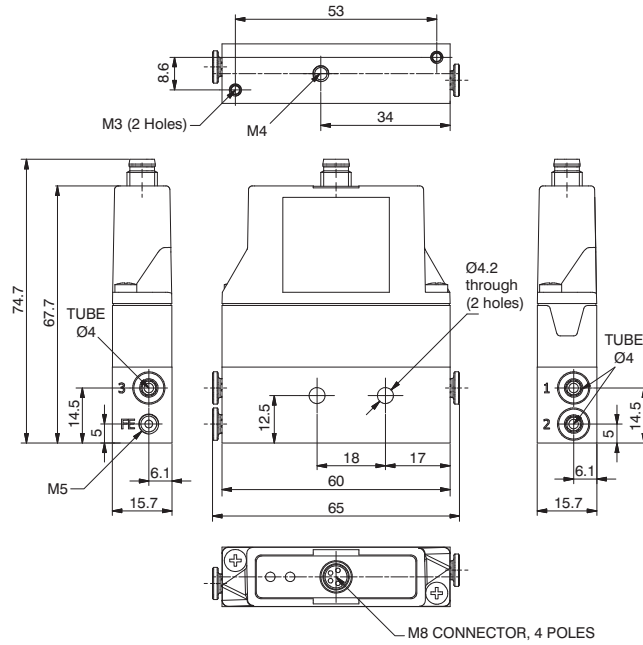


Ordering code

170M1.EFV

Weight: 50 gr.

Proportional Pressure Regulator c/w 4mm In-Line Single Base with External Feedback



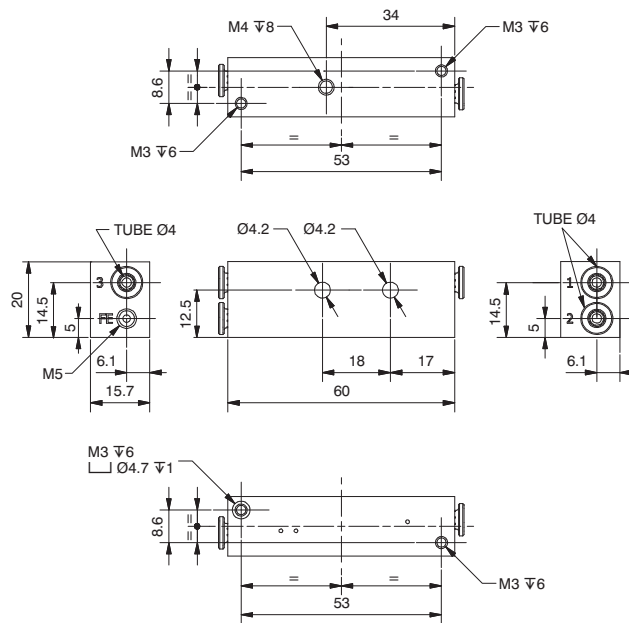
Ordering code

170E0M.V.M.G.ETO

P	PROTECTION
0	= Parameter 18 active
2	= Parameter 18 not active
V	VERSION
T	= Voltage signal
C	= Current signal
G	PRESSURE RANGE
001	= Range 0 - 1 bar
005	= Range 0 - 5 bar
009	= Range 0 - 9 bar

Weight: 110 gr.

Single 4mm In-Line Base with External Feedback



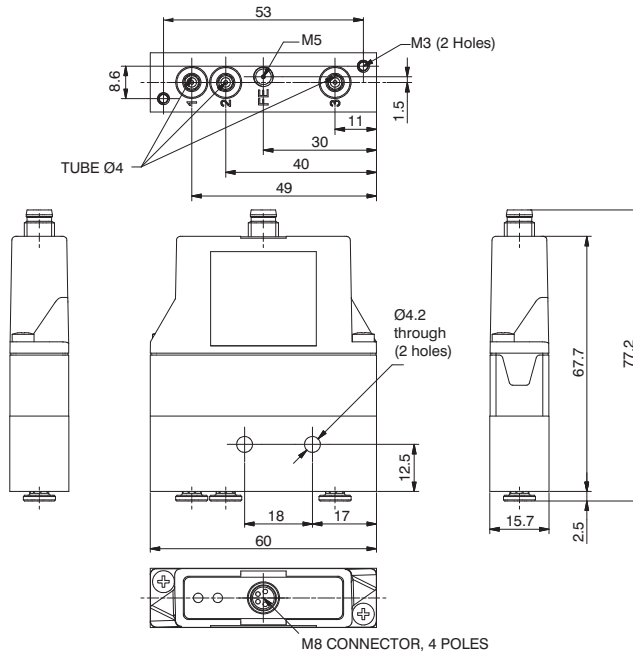
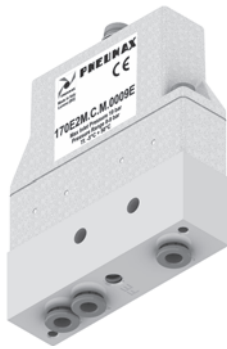
Ordering code

170M1.ETO

Weight: 50 gr.

3

Proportional Pressure Regulator c/w 4mm Bottom Entry Single Base with External Feedback



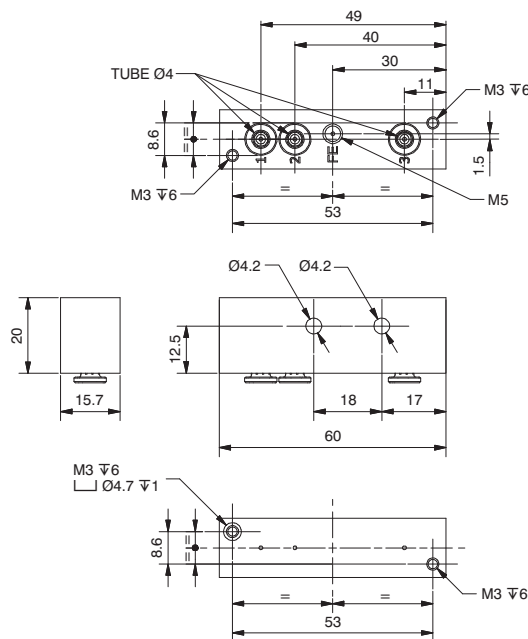
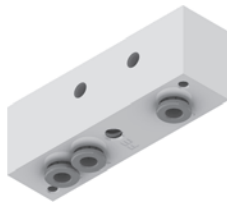
Ordering code

170EPM.V.M.ETV

- PROTECTION
 P 0 = Parameter 18 active
 2 = Parameter 18 not active
 VERSION
 V T = Voltage signal
 C = Current signal
 PRESSURE RANGE
 G 001 = Range 0 - 1 bar
 005 = Range 0 - 5 bar
 009 = Range 0 - 9 bar

Weight: 110 gr.

Single 4mm Bottom Entry Base with External Feedback



Ordering code

170M1.ETV

Weight: 50 gr.

3

Coding For Proportional Pressure Regulator Modular Manifold

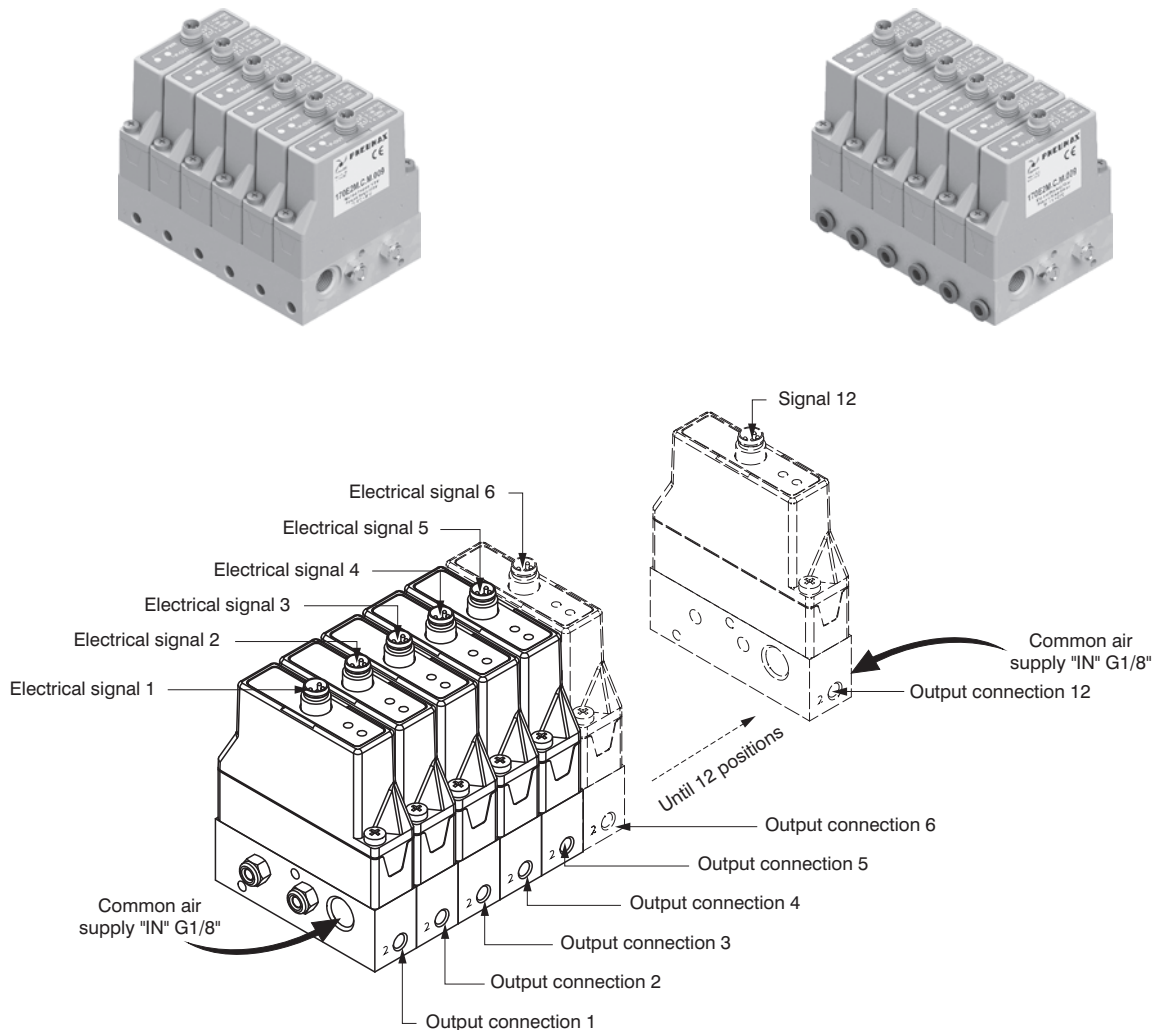
It is possible to assemble a manifold of Miniature Proportional Regulators to a maximum of 12 Regulators. For the coding of the Manifold, refer to the configuration Table below.

The Regulators are fed by a single supply pressure via the G1/8" connection. In the Manifold, the Pressure Regulators operate independently, the output pressure is supplied via the M5 or 4mm output connection depending on the model requested. The electrical signal is controlled via the M8 connector.

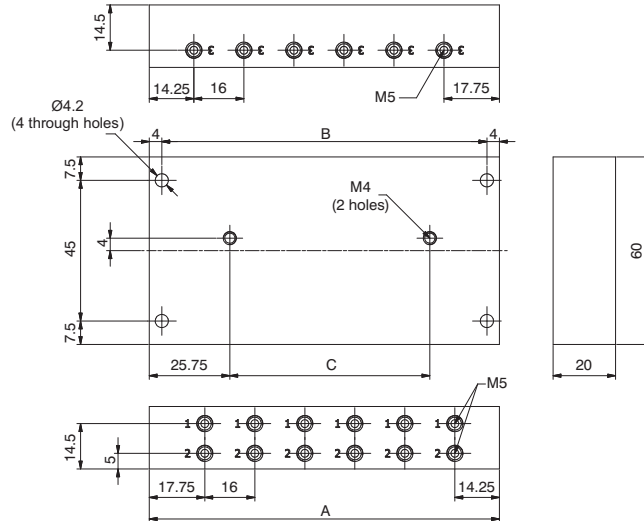
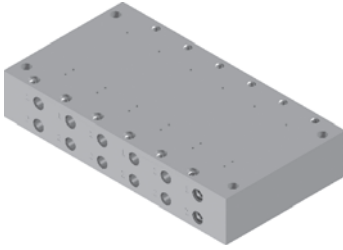
There are also configured single bases up to a maximum of 12 positions with power supplies and independent consumptions (See following pages).

G	1	7	0	-	-	-	M	-	-	-	P	-
Group	Series	Size	Parameter 18	N. Places	Control Type	Electrical connection	Pressure range	Connection	Version	Options		
			0=Eco P18 On	A=02	T=Voltage		001=0 - 1 bar	T=Tube Ø4		= Standard *		
			2=Eco P18 Off	B=03	C=Current		005=0 - 5 bar	F=M5 Thread		E= External feedback		
				C=04			009=0 - 9 bar			* no additional letter required		
				D=05								
				E=06								
				F=07								
				G=08								
				H=09								
				I=10								
				L=11								
				M=12								

Example	
Code	G1700ITM009FP
Description	10 Position Miniature Proportional Pressure Regulator, Voltage controlled with M5 Outputs



Multiple M5 In-Line Base



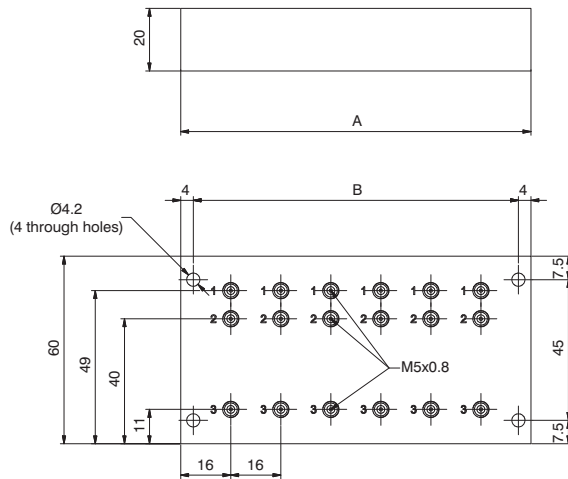
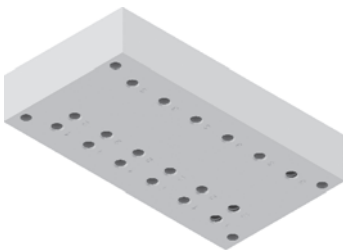
N° PLACES		2 PLA.	3 PLA.	4 PLA.	5 PLA.	6 PLA.	7 PLA.	8 PLA.	9 PLA.	10 PLA.
DIMEN.										
A		48	64	80	96	112	128	144	160	176
B		40	56	72	88	104	120	136	152	168
C		0	16	32	48	64	80	96	112	128

Ordering code

170M^N.FO

- N. PLACES
- 2=2 places (weight gr.100)
 - 3=3 places (weight gr.150)
 - 4=4 places (weight gr.200)
 - 5=5 places (weight gr.250)
 - N** 6=6 places (weight gr.300)
 - 7=7 places (weight gr.350)
 - 8=8 places (weight gr.400)
 - 9=9 places (weight gr.450)
 - 10=10 places (weight gr. 500)

Multiple M5 Bottom Entry Base



N° PLACES		2 PLA.	3 PLA.	4 PLA.	5 PLA.	6 PLA.	7 PLA.	8 PLA.	9 PLA.	10 PLA.
DIMEN.										
A		48	64	80	96	112	128	144	160	176
B		40	56	72	88	104	120	136	152	168

Ordering code

170M^N.FV

- N. PLACES
- 2=2 places (weight gr.100)
 - 3=3 places (weight gr.150)
 - 4=4 places (weight gr.200)
 - 5=5 places (weight gr.250)
 - N** 6=6 places (weight gr.300)
 - 7=7 places (weight gr.350)
 - 8=8 places (weight gr.400)
 - 9=9 places (weight gr.450)
 - 10=10 places (weight gr. 500)

