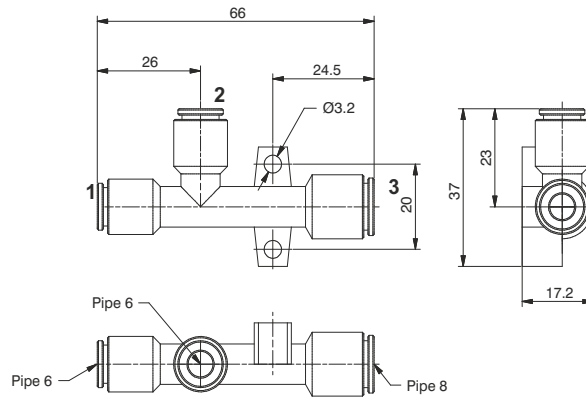
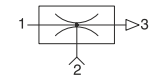


Single stage vacuum generator T06



Ordering code
19T06.S.10.HV.ZY

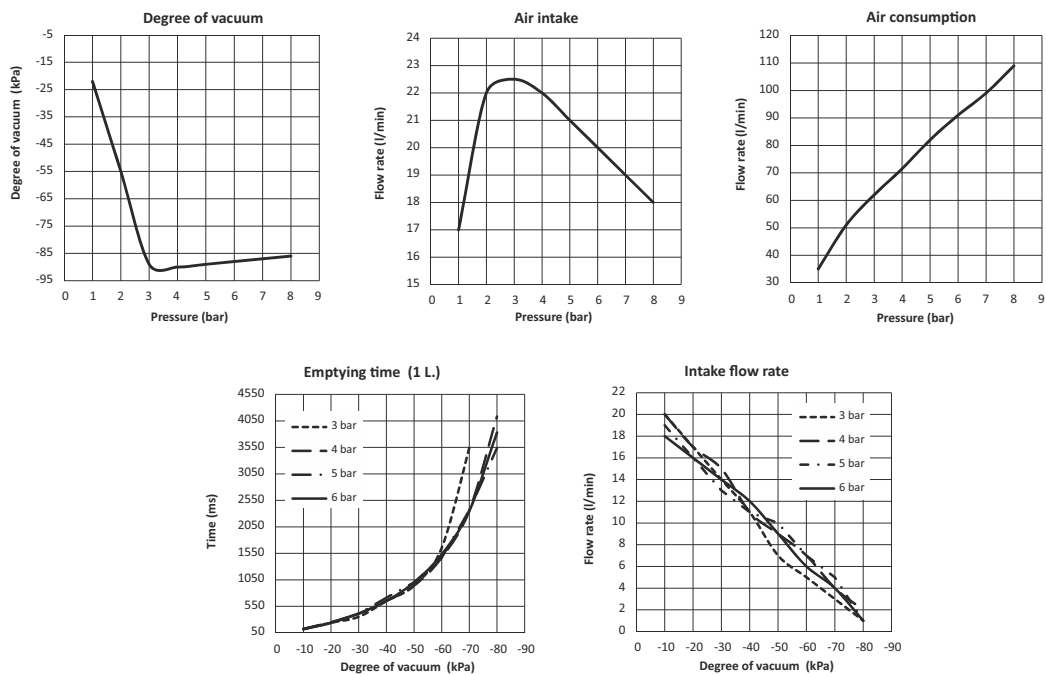


Single-stage generators, robust and reliable, with compact dimensions and suitable for applications which need the required degree of vacuum to be reached quickly with limited air flows. Operating on the Venturi principle, they have the vacuum connection, orthogonal to the axis of supply and outlet. They can be connected directly to the suction cups and/or suction cup holder and applied in any position.

Performance characteristics

- Supply pressure (bar)	2	4	6
- Degree of Vacuum (-kPa)	55	90	88
- Intake flow rate (l/min)	22	22	20
- Air consumption (l/min)	51	72	91

Performance Charts



Technical features

Fluid	Unlubricated filtered air
Pressure (bar)	1 ÷ 8
Temperature (°C)	-10 ÷ +80
Weight (gr.)	15