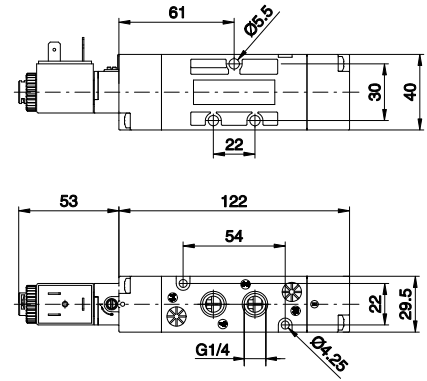
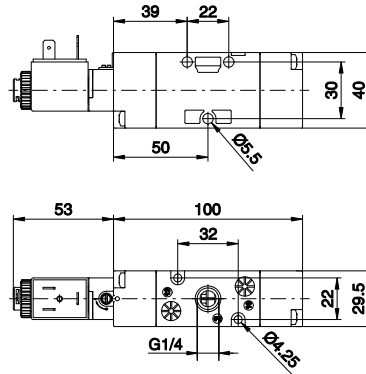


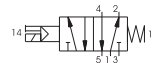
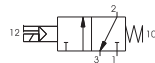
Solenoid - Spring (self-feeding)

3/2
5/2

Ordering code	
T424.1.0.1.V	
TYPE	
1 32=3 ways	
52=5 ways	
VOLTAGE	
B04=12 V DC	
B05=24 V DC	
V B09=24 V DC (2W)	
B56=24 V 50-60 Hz	
B57=110 V 50-60 Hz	
B58=230V 50-60 Hz	



Weight gr. 205
Minimum operating pressure 2,5 bar



Weight gr. 235
Minimum operating pressure 2,5 bar

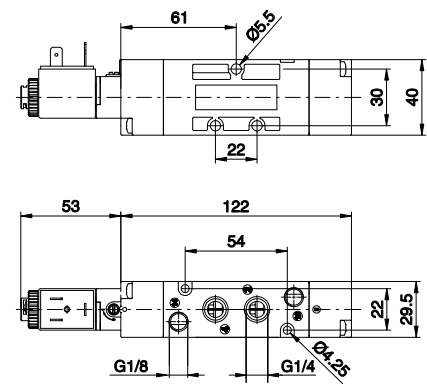
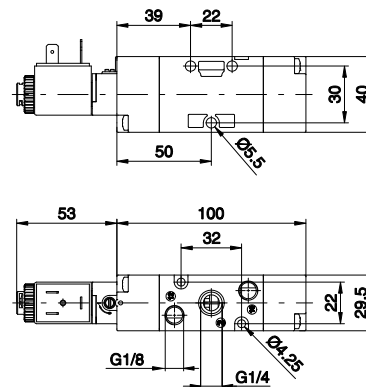
Operational characteristics

Fluid	Max working pressure (bar)	Temperature °C	Flow rate at 6 bar with $\Delta p=1$ (NI/min)	Ø Orifice size (mm)	Working ports size
Filtered and lubricated air	10 bar	-5 ÷ +50	1050 NI/min	mm 8,5	G 1/4"

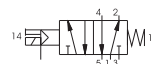
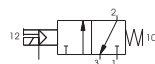
Solenoid - Spring (external feeding)

3/2
5/2

Ordering code	
T424.1.0.1.E.V	
TYPE	
1 32=3 ways	
52=5 ways	
VOLTAGE	
B04=12 V DC	
B05=24 V DC	
V B09=24 V DC (2W)	
B56=24 V 50-60 Hz	
B57=110 V 50-60 Hz	
B58=230V 50-60 Hz	



Weight gr. 205
Minimum operating pressure 2,5 bar



Weight gr. 235
Minimum operating pressure 2,5 bar

Operational characteristics

Fluid	Max working pressure (bar)	Temperature °C	Flow rate at 6 bar with $\Delta p=1$ (NI/min)	Ø Orifice size (mm)	Working ports size	Pilot ports size
Filtered and lubricated air	10 bar	-5 ÷ +50	1050 NI/min	mm 8,5	G 1/4"	G 1/8"

Solenoid - Differential (self-feeding)

3/2
5/2

Ordering code

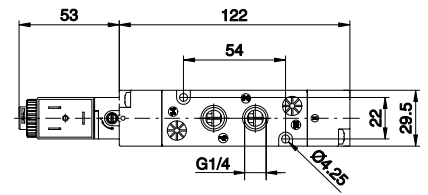
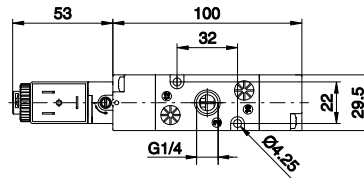
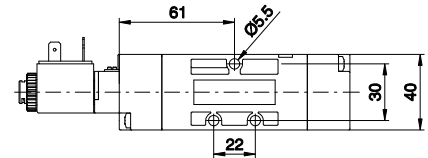
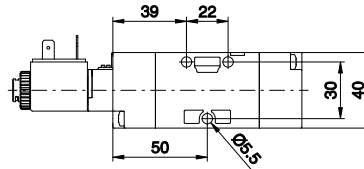
T424.T.0.12.V

TYPE

32=3 ways
52=5 ways

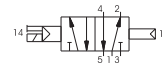
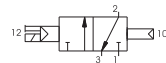
VOLTAGE

B04=12 V DC
B05=24 V DC
B09=24 V DC (2W)
B56=24 V 50-60 Hz
B57=110 V 50-60 Hz
B58=230V 50-60 Hz



Weight gr. 205
Minimum operating pressure 2 bar

Weight gr. 235
Minimum operating pressure 2 bar



Operational characteristics

Fluid	Max working pressure (bar)	Temperature °C	Flow rate at 6 bar with Δp=1 (NI/min)	Ø Orifice size (mm)	Working ports size
Filtered and lubricated air	10 bar	-5 ÷ +50	1050 NI/min	mm 8,5	G 1/4"

Solenoid - Differential (external feeding)

3/2
5/2

Ordering code

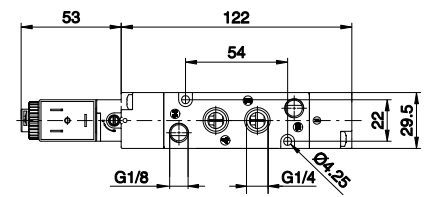
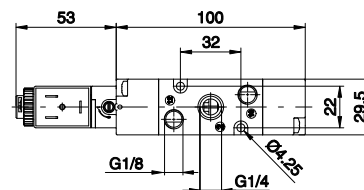
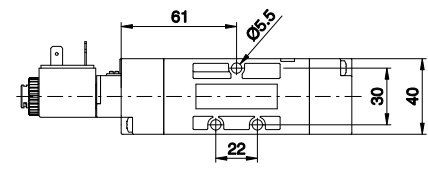
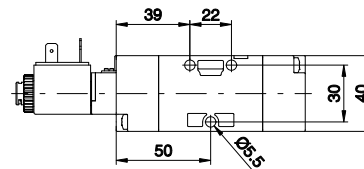
T424.T.0.12.E.V

TYPE

32=3 ways
52=5 ways

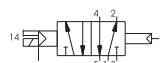
VOLTAGE

B04=12 V DC
B05=24 V DC
B09=24 V DC (2W)
B56=24 V 50-60 Hz
B57=110 V 50-60 Hz
B58=230V 50-60 Hz



Weight gr. 205
Minimum operating pressure 2 bar

Weight gr. 235
Minimum operating pressure 2 bar



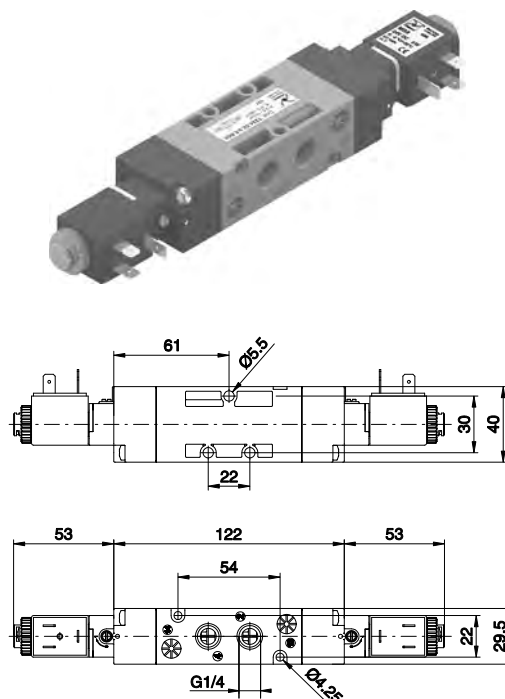
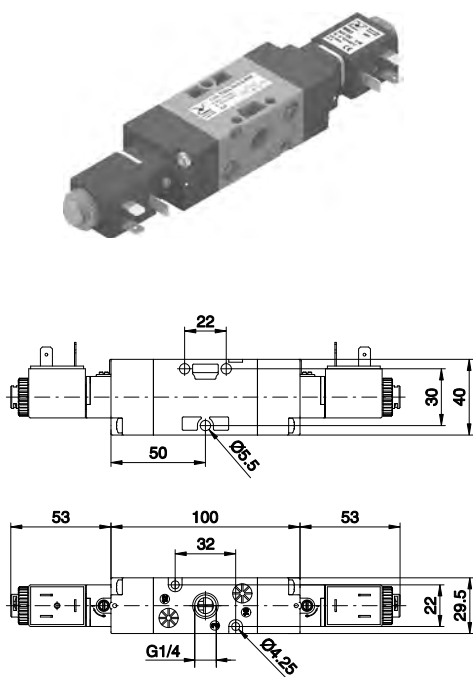
Operational characteristics

Fluid	Max working pressure (bar)	Temperature °C	Flow rate at 6 bar with Δp=1 (NI/min)	Ø Orifice size (mm)	Working ports size	Pilot ports size
Filtered and lubricated air	10 bar	-5 ÷ +50	1050 NI/min	mm 8,5	G 1/4"	G 1/8"

Solenoid - Solenoid (self-feeding)

3/2
5/2

Ordering code	
T424.1.0.0.V	
TYPE	
1	32=3 ways 52=5 ways
VOLTAGE	
	B04=12 V DC B05=24 V DC
V	B09=24 V DC (2W) B56=24 V 50-60 Hz B57=110 V 50-60 Hz B58=230V 50-60 Hz



Weight gr. 240
Minimum operating pressure 2 bar

Weight gr. 270
Minimum operating pressure 2 bar

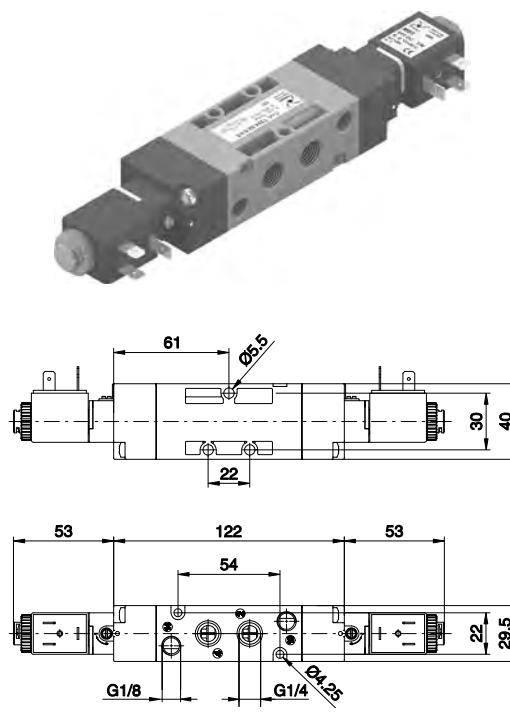
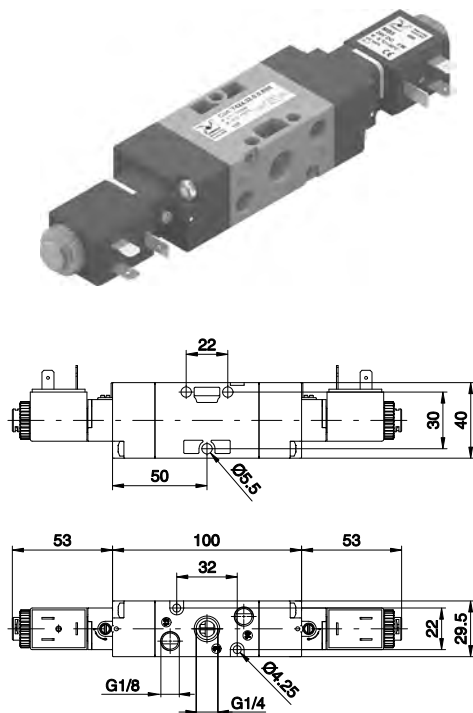
Operational characteristics

Fluid	Max working pressure (bar)	Temperature °C	Flow rate at 6 bar with $\Delta p=1$ (NI/min)	Ø Orifice size (mm)	Working ports size
Filtered and lubricated air	10 bar	-5 ÷ +50	1050 NI/min	mm 8,5	G 1/4"

Solenoid - Solenoid (external feeding)

3/2
5/2

Ordering code	
T424.1.0.0.E.V	
TYPE	
1	32=3 ways 52=5 ways
VOLTAGE	
	B04=12 V DC B05=24 V DC
V	B09=24 V DC (2W) B56=24 V 50-60 Hz B57=110 V 50-60 Hz B58=230V 50-60 Hz



Weight gr. 240
Minimum operating pressure 2 bar

Weight gr. 270
Minimum operating pressure 2 bar

Operational characteristics

Fluid	Max working pressure (bar)	Temperature °C	Flow rate at 6 bar with $\Delta p=1$ (NI/min)	Ø Orifice size (mm)	Working ports size	Pilot ports size
Filtered and lubricated air	10 bar	-5 ÷ +50	1050 NI/min	mm 8,5	G 1/4"	G 1/8"

Solenoid - Solenoid (self-feeding)

5/3

Ordering code

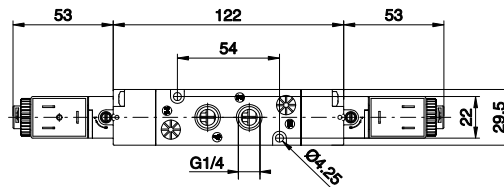
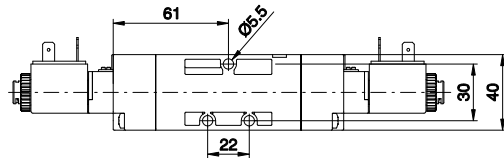
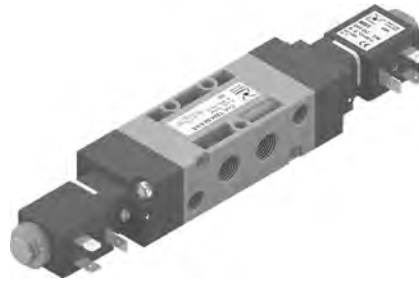
T424.53.F.0.0.V

FUNCTION

- F** 31 = Closed centres
- 32 = Open centres
- 33 = Pressured centres

VOLTAGE

- V** B04 = 12 V DC
- B05 = 24 V DC
- B09 = 24 V DC (2W)
- B56 = 24 V 50-60 Hz
- B57 = 110 V 50-60 Hz
- B58 = 230V 50-60 Hz



Weight gr. 295
Minimum operating pressure 3 bar

Operational characteristics

Fluid	Max working pressure (bar)	Temperature °C	Flow rate at 6 bar with Δp=1 (NI/min)	Ø Orifice size (mm)	Working ports size
Filtered and lubricated air	10 bar	-5 ÷ +50	900 NI/min	mm 8,5	G 1/4"

Solenoid - Solenoid (external feeding)

5/3

Ordering code

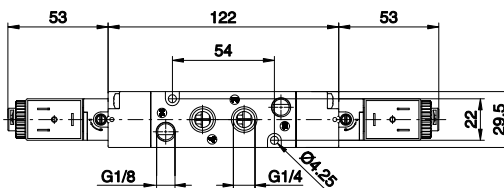
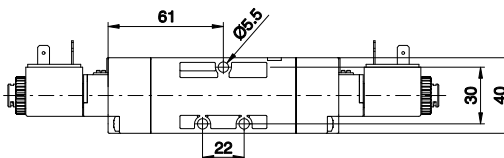
T424.53.F.0.0.E.V

FUNCTION

- F** 31 = Closed centres
- 32 = Open centres
- 33 = Pressured centres

VOLTAGE

- V** B04 = 12 V DC
- B05 = 24 V DC
- B09 = 24 V DC (2W)
- B56 = 24 V 50-60 Hz
- B57 = 110 V 50-60 Hz
- B58 = 230V 50-60 Hz

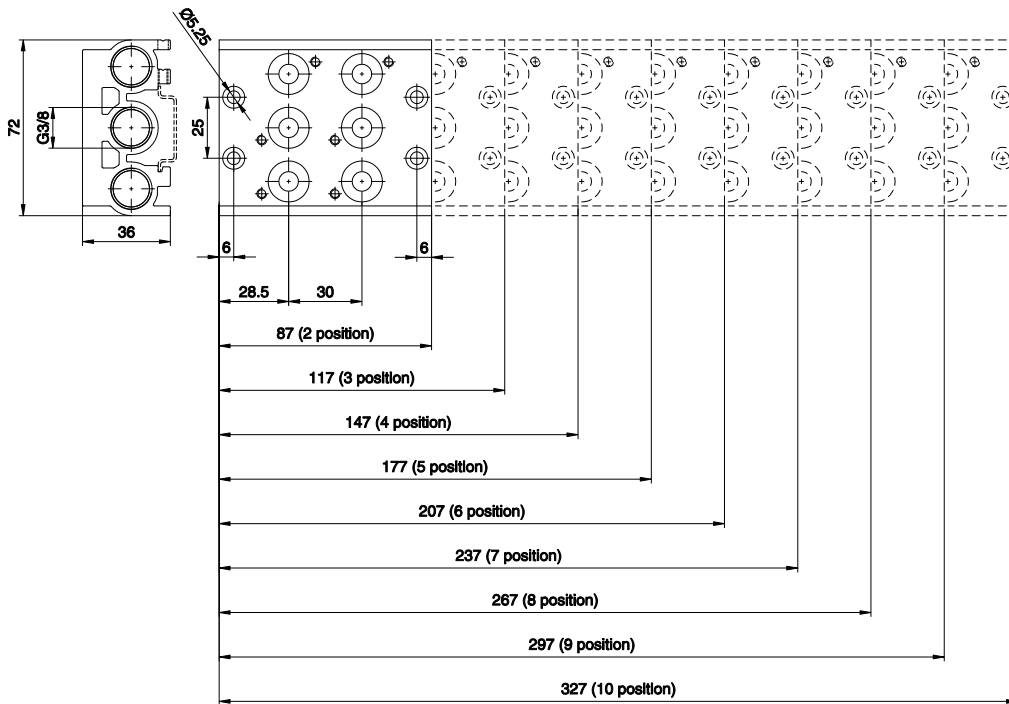


Weight gr. 295
Minimum operating pressure 3 bar

Operational characteristics

Fluid	Max working pressure (bar)	Temperature °C	Flow rate at 6 bar with Δp=1 (NI/min)	Ø Orifice size (mm)	Working ports size	Pilot ports size
Filtered and lubricated air	10 bar	-5 ÷ +50	900 NI/min	mm 8,5	G 1/4"	G 1/8"

Manifold



Ordering code

T424.P

N. POSITIONS

- 02=2 pos. (weight 350 gr.)
- 03=3 pos. (weight 420 gr.)
- 04=4 pos. (weight 560 gr.)
- P** 05=5 pos. (weight 670 gr.)
- 06=6 pos. (weight 770 gr.)
- 07=7 pos. (weight 880 gr.)
- 08=8 pos. (weight 980 gr.)
- 09=9 pos. (weight 1090 gr.)
- 10=10 pos. (weight 1200 gr.)



Modular collectors

Ordering code

T424.T

TYPE

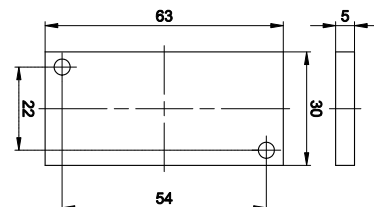
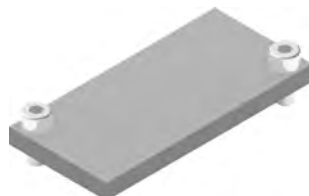
- 01=Single complete base
- 01K=Complete modular bases (batches of 15 pieces)
- 30K=Hollow bush, complete with O-rings (Nr. 50 pieces)
- 31K=Blank bush, complete with O-rings (Nr. 50 pieces)
- T** 32K=Intermediate air intake with screw (Nr. 5 pieces)
- 33=Screw to suite solenoid valves (Nr. 50 pieces)
- 34=Screw for joining bases (Nr. 50 pieces)
- 35=Washer for screw for joining bases (Nr. 50 pieces)
- 36=O-ring seal (Nr. 50 pieces)



Closing plate

Ordering code

T424.00



Weight gr. 25