

**Solenoid - Spring**

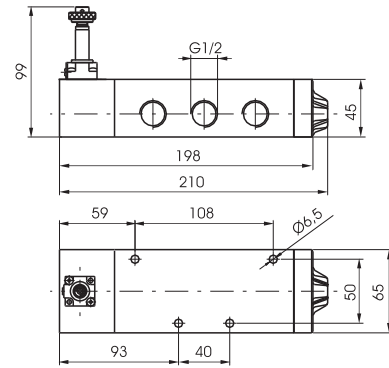
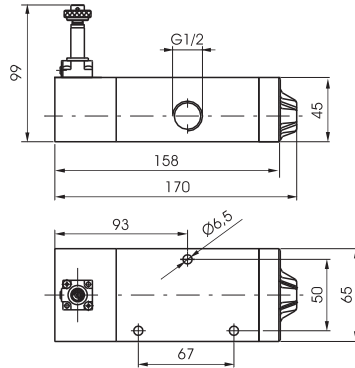
3/2  
5/2

Ordering code

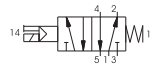
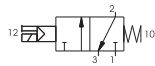
**452.1.0.1.M2**

TYPE

32=3 ways  
52=5 ways



Weight gr. 1152  
Minimum working pressure 2,5 bar



Weight gr. 1422  
Minimum working pressure 2,5 bar

**Operational characteristics**

Fluid	Max working pressure (bar)	Temperature °C	Flow rate at 6 bar with $\Delta p=1$ (NI/min)	Orifice size (mm)	Working ports size
Filtered and lubricated air	10 bar	-5 ÷ +50	3500 NI/min	mm 15	G 1/2"

**Solenoid - Differential**

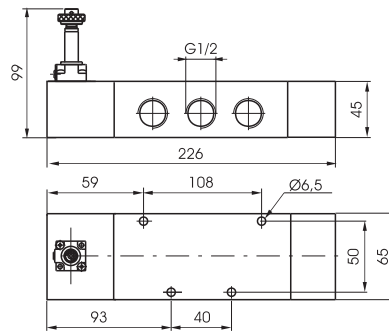
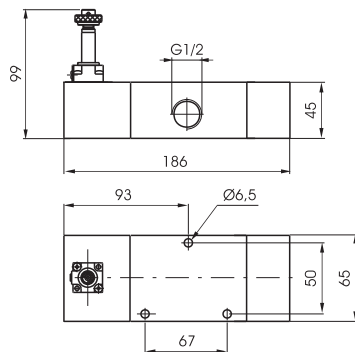
3/2  
5/2

Ordering code

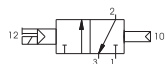
**452.1.0.12.M2**

TYPE

32=3 ways  
52=5 ways



Weight gr. 1422  
Minimum working pressure 2,5 bar



Weight gr. 1692  
Minimum working pressure 2,5 bar

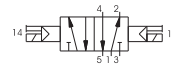
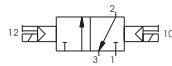
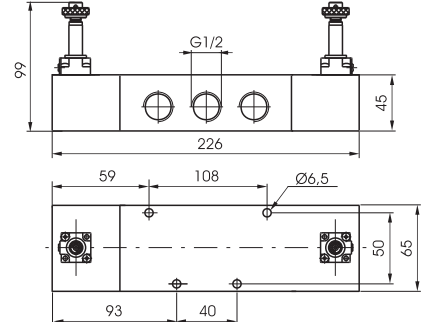
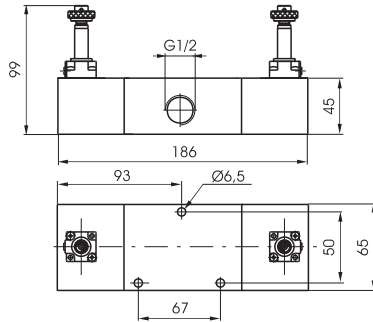
**Operational characteristics**

Fluid	Max working pressure (bar)	Temperature °C	Flow rate at 6 bar with $\Delta p=1$ (NI/min)	Orifice size (mm)	Working ports size
Filtered and lubricated air	10 bar	-5 ÷ +50	3500 NI/min	mm 15	G 1/2"

3/2  
5/2

Solenoid - Solenoid

Ordering code	
<b>452.1.0.0.M2</b>	
TYPE	
1 32=3 ways	
52=5 ways	



Weight gr. 1744  
Minimum working pressure 2 bar

Weight gr. 1744  
Minimum working pressure 2 bar

Operational characteristics

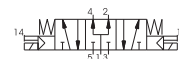
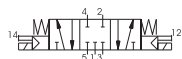
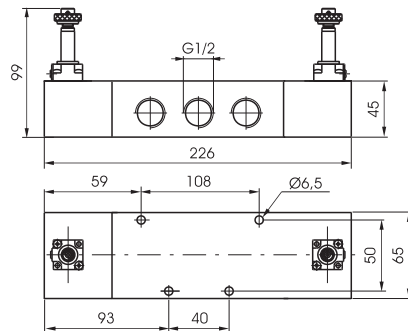
Fluid	Max working pressure (bar)	Temperature °C	Flow rate at 6 bar with Δp=1 (NI/min)	Orifice size (mm)	Working ports size
Filtered and lubricated air	10 bar	-5 ÷ +50	3500 NI/min	mm 15	G 1/2"

2

Solenoid - Solenoid

5/3

Ordering code	
<b>452.53.0.0.M2</b>	
FUNCTION	
F 31=Closed centres	
32=Open centres	
33=Pressured centres	



Weight gr. 1744  
Minimum working pressure 3 bar

Operational characteristics

Fluid	Max working pressure (bar)	Temperature °C	Flow rate at 6 bar with Δp=1 (NI/min)	Orifice size (mm)	Working ports size
Filtered and lubricated air	10 bar	-5 ÷ +50	3500 NI/min	mm 15	G 1/2"

**Solenoid - Spring**

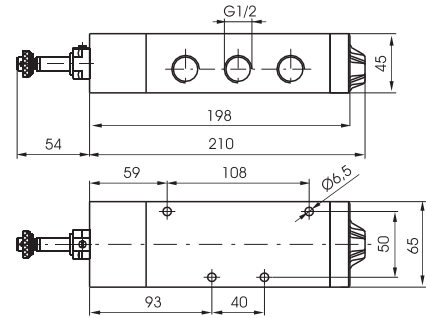
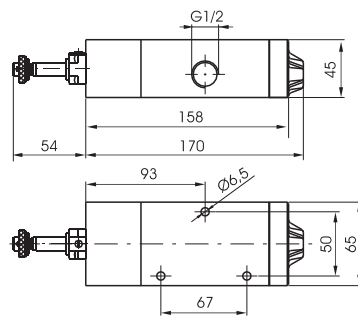
3/2  
5/2

Ordering code

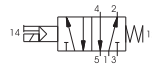
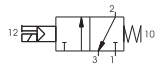
**452/1.0.1.M2**

TYPE

32=3 ways  
52=5 ways



Weight gr. 1330  
Minimum working pressure 2,5 bar



Weight gr. 1600  
Minimum working pressure 2,5 bar

**Operational characteristics**

Fluid	Max working pressure (bar)	Temperature °C	Flow rate at 6 bar with Δp=1 (NI/min)	Orifice size (mm)	Working ports size
Filtered and lubricated air	10 bar	-5 ÷ +50	3500 NI/min	mm 15	G 1/2"

**Solenoid - Differential**

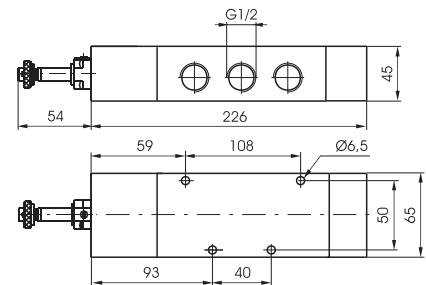
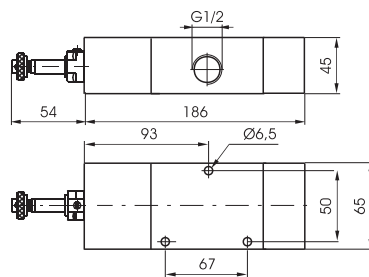
3/2  
5/2

Ordering code

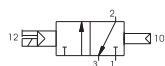
**452/1.0.12.M2**

TYPE

32=3 ways  
52=5 ways



Weight gr. 1600  
Minimum working pressure 2,5 bar



Weight gr. 1870  
Minimum working pressure 2,5 bar

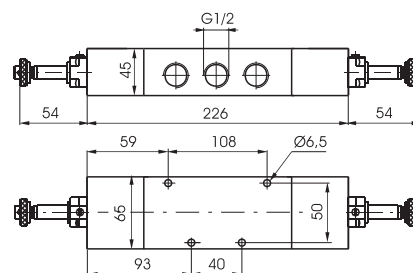
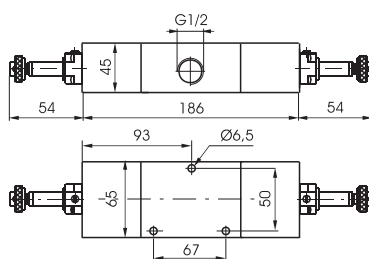
**Operational characteristics**

Fluid	Max working pressure (bar)	Temperature °C	Flow rate at 6 bar with Δp=1 (NI/min)	Orifice size (mm)	Working ports size
Filtered and lubricated air	10 bar	-5 ÷ +50	3500 NI/min	mm 15	G 1/2"

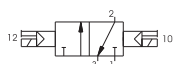
**Solenoid - Solenoid**

3/2  
5/2

Ordering code
<b>452/1.1.0.0.M2</b>
TYPE
32=3 ways
52=5 ways



Weight gr. 1830  
Minimum working pressure 2 bar



Weight gr. 2100  
Minimum working pressure 2 bar

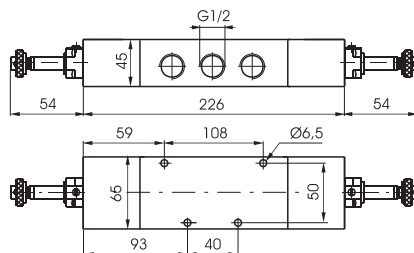
**Operational characteristics**

Fluid	Max working pressure (bar)	Temperature °C	Flow rate at 6 bar with Δp=1 (NI/min)	Orifice size (mm)	Working ports size
Filtered and lubricated air	10 bar	-5 ÷ +50	3500 NI/min	mm 15	G 1/2"

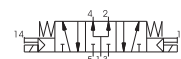
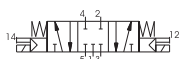
**Solenoid - Solenoid**

5/3

Ordering code
<b>452/1.53.F.0.0.M2</b>
FUNCTION
31=Closed centres
32=Open centres
33=Pressured centres



Weight gr. 2100  
Minimum working pressure 3 bar



**Operational characteristics**

Fluid	Max working pressure (bar)	Temperature °C	Flow rate at 6 bar with Δp=1 (NI/min)	Orifice size (mm)	Working ports size
Filtered and lubricated air	10 bar	-5 ÷ +50	3500 NI/min	mm 15	G 1/2"