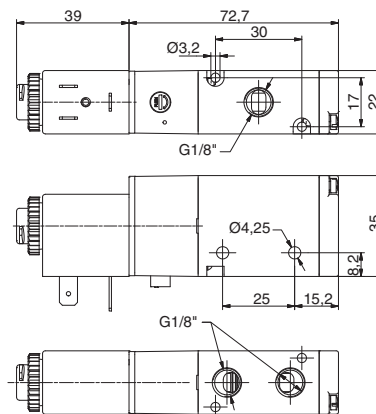
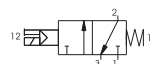
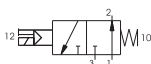


Solenoid - Spring - 3/2 (Self-feeding)

Ordering code
8880.32.F.39.V
FUNCTION
F A=Normally Open C=Normally Closed
VOLTAGE
F05=24 V DC
V F56=24 V (50-60 Hz) F57=110 V (50-60 Hz) F58=230V (50-60 Hz) F00=Without coil



Weight gr. 210
Minimum working pressure 2 bar

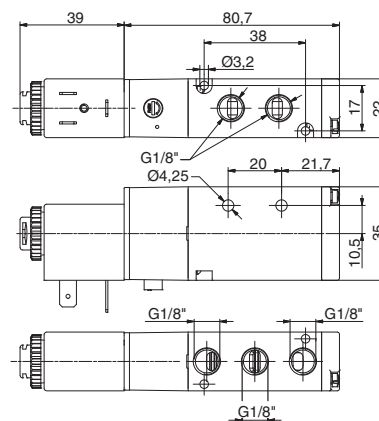


Operational characteristics

Fluid	Max working pressure (bar)	Temperature °C	Flow rate at 6 bar with $\Delta p=1$ (NI/min)	Orifice size (mm)	Working port size
Filtered and lubricated air	8	-5 ÷ +50	790	5,8	G 1/8"

Solenoid - Spring - 5/2 (Self-feeding)

Ordering code
8880.52.00.39.V
VOLTAGE
F05=24 V DC
V F56=24 V (50-60 Hz) F57=110 V (50-60 Hz) F58=230V (50-60 Hz) F00=Without coil



Weight gr. 220
Minimum working pressure 2 bar

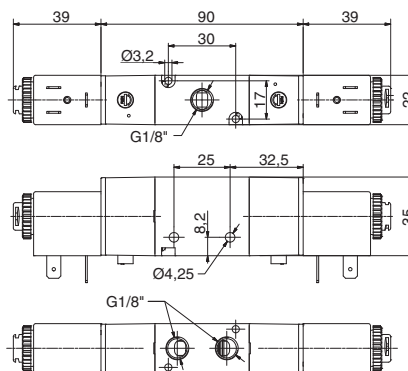


Operational characteristics

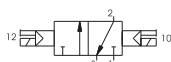
Fluid	Max working pressure (bar)	Temperature °C	Flow rate at 6 bar with $\Delta p=1$ (NI/min)	Orifice size (mm)	Working port size
Filtered and lubricated air	8	-5 ÷ +50	790	5,8	G 1/8"

Solenoid - Solenoid - 3/2

Ordering code
8880.32.00.35.V
VOLTAGE
F05=24 V DC
V F56=24 V (50-60 Hz) F57=110 V (50-60 Hz) F58=230V (50-60 Hz) F00=Without coil



Weight gr. 310
Minimum working pressure 2 bar



Operational characteristics

Fluid	Max working pressure (bar)	Temperature °C	Flow rate at 6 bar with $\Delta p=1$ (NI/min)	Orifice size (mm)	Working port size
Filtered and lubricated air	8	-5 ÷ +50	790	5,8	G 1/8"

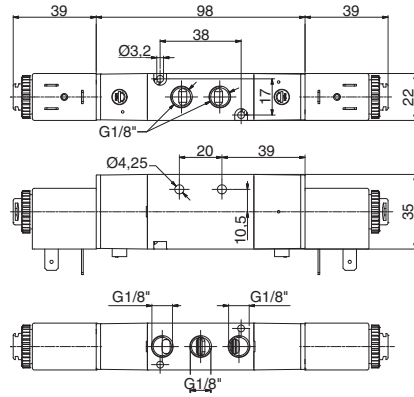
Solenoid - Solenoid - 5/2

Ordering code

8880.52.00.35.V

VOLTAGE

- F05=24 V DC
- F56=24 V (50-60 Hz)
- F57=110 V (50-60 Hz)
- F58=230V (50-60 Hz)
- F00=Without coil



Weight gr. 320
Minimum working pressure 2 bar



Operational characteristics

Fluid	Max working pressure (bar)	Temperature °C	Flow rate at 6 bar with $\Delta p=1$ (NI/min)	Orifice size (mm)	Working port size
Filtered and lubricated air	8	-5 ÷ +50	790	5,8	G 1/8"

Solenoid - Solenoid - 5/3

Ordering code

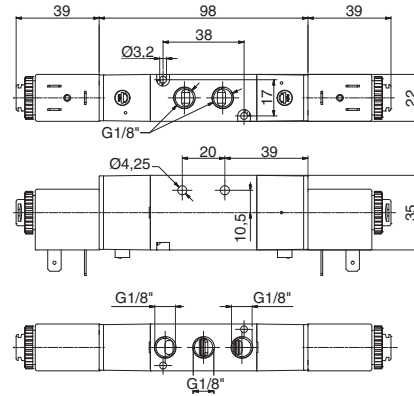
8880.53.F.35.V

FUNCTION

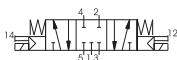
- F31=Closed centres
- F32=Open centres
- F33=Pressured centres

VOLTAGE

- F05=24 V DC
- F56=24 V (50-60 Hz)
- F57=110 V (50-60 Hz)
- F58=230V (50-60 Hz)
- F00=Without coil



Weight gr. 330
Minimum working pressure 2,5 bar



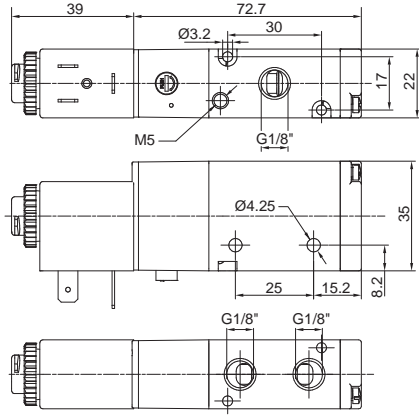
Operational characteristics

Fluid	Max working pressure (bar)	Temperature °C	Flow rate at 6 bar with $\Delta p=1$ (NI/min)	Orifice size (mm)	Working port size
Filtered and lubricated air	8	-5 ÷ +50	440	5,8	G 1/8"

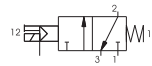
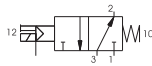
2

Solenoid - Spring - 3/2 (Self-feeding)

Ordering code
888E.32.F.39.V
FUNZIONE
F A=3/2 Normalmente Aperta C=3/2 Normalmente Chiusa
VOLTAGE
F04=12 V DC
F05=24 V DC
V F56=24 V (50-60 Hz)
F57=110 V (50-60 Hz)
F58=230 V (50-60 Hz)
F00=Senza bobina



Weight gr. 210
Minimum working pressure 2 bar

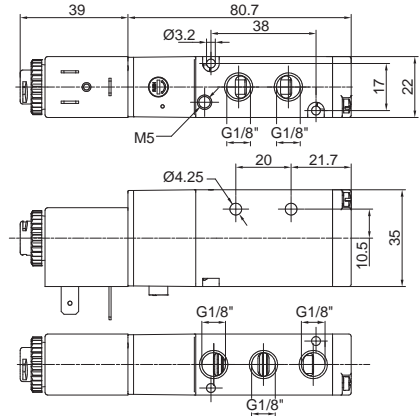


Operational characteristics

Fluid	Max working pressure (bar)	Temperature °C	Flow rate at 6 bar with $\Delta p=1$ (NI/min)	Orifice size (mm)	Working port size
Filtered and lubricated air	8	-5 ÷ +50	790	5,8	G 1/8"

Solenoid - Spring - 5/2 (Self-feeding)

Ordering code
888E.52.00.39.V
VOLTAGE
F04=12 V DC
F05=24 V DC
V F56=24 V (50-60 Hz)
F57=110 V (50-60 Hz)
F58=230 V (50-60 Hz)
F00=Senza bobina



Weight gr. 220
Minimum working pressure 2 bar

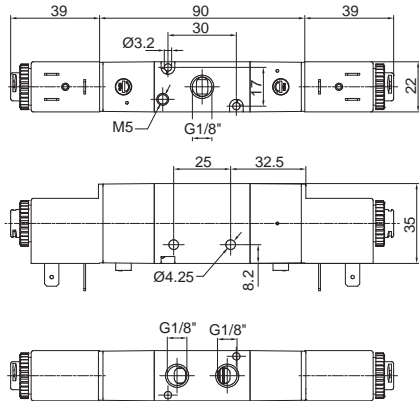


Operational characteristics

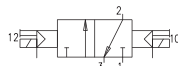
Fluid	Max working pressure (bar)	Temperature °C	Flow rate at 6 bar with $\Delta p=1$ (NI/min)	Orifice size (mm)	Working port size
Filtered and lubricated air	8	-5 ÷ +50	790	5,8	G 1/8"

Solenoid - Solenoid - 3/2 (External-feeding)

Ordering code
888E.32.00.35.V
VOLTAGE
F04=12 V DC
F05=24 V DC
V F56=24 V (50-60 Hz)
F57=110 V (50-60 Hz)
F58=230 V (50-60 Hz)
F00=Senza bobina



Weight gr. 310
Minimum working pressure 2 bar



Operational characteristics

Fluid	Max working pressure (bar)	Temperature °C	Flow rate at 6 bar with $\Delta p=1$ (NI/min)	Orifice size (mm)	Working port size
Filtered and lubricated air	8	-5 ÷ +50	790	5,8	G 1/8"

Solenoid - Solenoid - 5/2 (External-feeding)

Ordering code

888E.52.00.35.V

VOLTAGE

F04=12 V DC

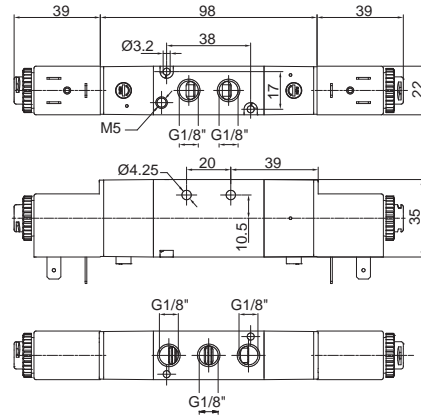
F05=24 V DC

V F56=24 V (50-60 Hz)

F57=110 V (50-60 Hz)

F58=230 V (50-60 Hz)

F00=Senza bobina



Weight gr. 320
Minimum working pressure 2 bar



Operational characteristics

Fluid	Max working pressure (bar)	Temperature °C	Flow rate at 6 bar with $\Delta p=1$ (NI/min)	Orifice size (mm)	Working port size
Filtered and lubricated air	8	-5 ÷ +50	790	5,8	G 1/8"

Solenoid - Solenoid - 5/3 (External-feeding)

Ordering code

888E.53.F.35.V

FUNZIONE

F 31=Closed centres

32=Open centres

33=Pressured centres

VOLTAGEpos.

F04=12 V DC

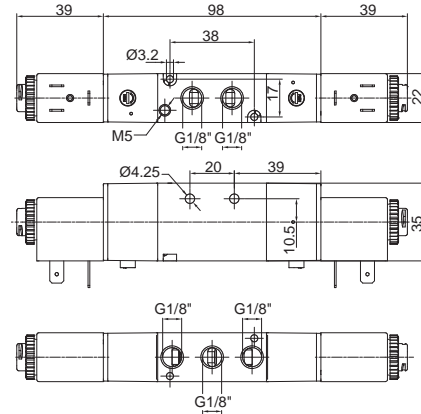
F05=24 V DC

V F56=24 V (50-60 Hz)

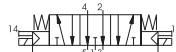
F57=110 V (50-60 Hz)

F58=230 V (50-60 Hz)

F00=Senza bobina



Weight gr. 330
Minimum working pressure 2,5 bar

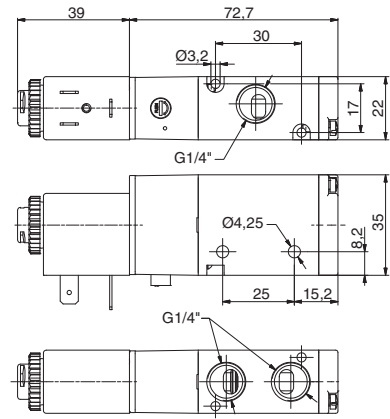


Operational characteristics

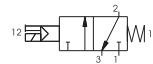
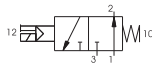
Fluid	Max working pressure (bar)	Temperature °C	Flow rate at 6 bar with $\Delta p=1$ (NI/min)	Orifice size (mm)	Working port size
Filtered and lubricated air	8	-5 ÷ +50	440	5,8	G 1/8"

Solenoid - Spring - 3/2 (Self-feeding)

Ordering code	
8884.32.F.39.V	
FUNCTION	F = Normally Open C = Normally Closed
VOLTAGE	F05 = 24 V DC F56 = 24 V (50-60 Hz) F57 = 110 V (50-60 Hz) F58 = 230V (50-60 Hz) F00 = Without coil



Weight gr. 210
Minimum working pressure 2 bar

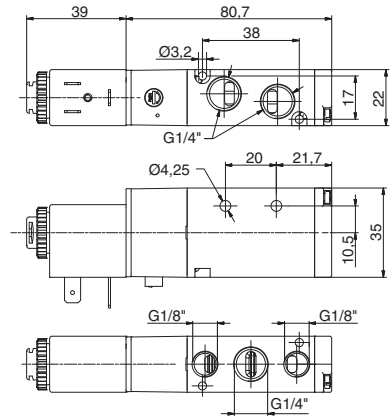


Operational characteristics

Fluid	Max working pressure (bar)	Temperature °C	Flow rate at 6 bar with $\Delta p=1$ (NI/min)	Orifice size (mm)	Working port size
Filtered and lubricated air	8	-5 ÷ +50	890	6,5	G 1/4"

Solenoid - Spring - 5/2 (Self-feeding)

Ordering code	
8884.52.00.39.V	
VOLTAGE	F05 = 24 V DC F56 = 24 V (50-60 Hz) F57 = 110 V (50-60 Hz) F58 = 230V (50-60 Hz) F00 = Without coil



Weight gr. 220
Minimum working pressure 2 bar

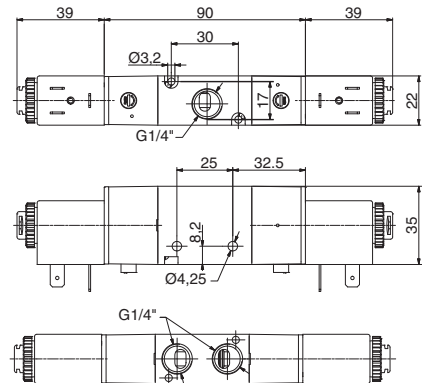


Operational characteristics

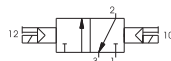
Fluid	Max working pressure (bar)	Temperature °C	Flow rate at 6 bar with $\Delta p=1$ (NI/min)	Orifice size (mm)	Working port size
Filtered and lubricated air	8	-5 ÷ +50	890	6,5	G 1/4"

Solenoid - Solenoid - 3/2

Ordering code	
8884.32.00.35.V	
VOLTAGE	F05 = 24 V DC F56 = 24 V (50-60 Hz) F57 = 110 V (50-60 Hz) F58 = 230V (50-60 Hz) F00 = Without coil



Weight gr. 310
Minimum working pressure 2 bar



Operational characteristics

Fluid	Max working pressure (bar)	Temperature °C	Flow rate at 6 bar with $\Delta p=1$ (NI/min)	Orifice size (mm)	Working port size
Filtered and lubricated air	8	-5 ÷ +50	890	6,5	G 1/4"

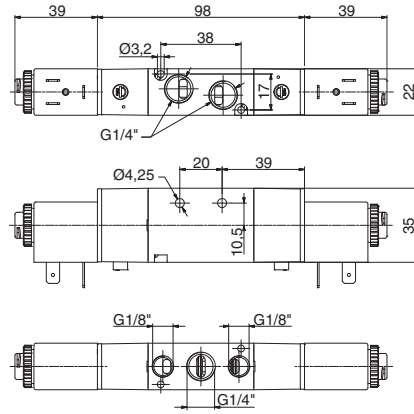
Solenoid - Solenoid - 5/2

Ordering code

8884.52.00.35.V

VOLTAGE

- F05=24 V DC
- F56=24 V (50-60 Hz)
- F57=110 V (50-60 Hz)
- F58=230V (50-60 Hz)
- F00=Without coil



Weight gr. 320
Minimum working pressure 2 bar



Operational characteristics

Fluid	Max working pressure (bar)	Temperature °C	Flow rate at 6 bar with Δp=1 (NI/min)	Orifice size (mm)	Working port size
Filtered and lubricated air	8	-5 ÷ +50	890	6,5	G 1/4"

Solenoid - Solenoid - 5/3

Ordering code

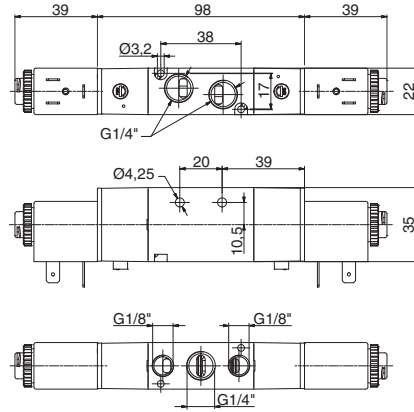
8884.53.F.35.V

FUNCTION

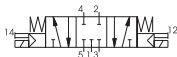
- 31=Closed centres
- 32=Open centres
- 33=Pressured centres

VOLTAGE

- F05=24 V DC
- F56=24 V (50-60 Hz)
- F57=110 V (50-60 Hz)
- F58=230V (50-60 Hz)
- F00=Without coil



Weight gr. 330
Minimum working pressure 2,5 bar



Operational characteristics

Fluid	Max working pressure (bar)	Temperature °C	Flow rate at 6 bar with Δp=1 (NI/min)	Orifice size (mm)	Working port size
Filtered and lubricated air	8	-5 ÷ +50	540	6,5	G 1/4"