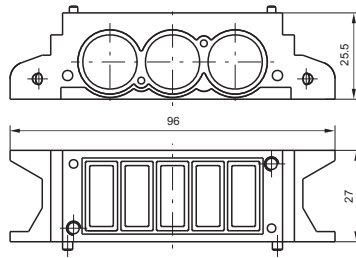


Modular base

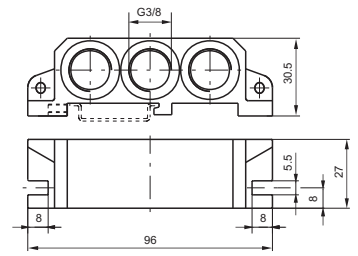
Right inlet base



Ordering code

2630.01

Weight gr. 80



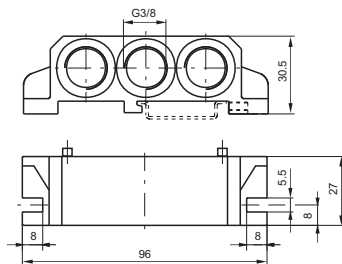
Ordering code

2630.02

Weight gr. 80

Left inlet base

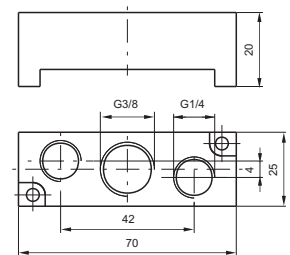
Intermediate air intake



Ordering code

2630.03

Weight gr. 100



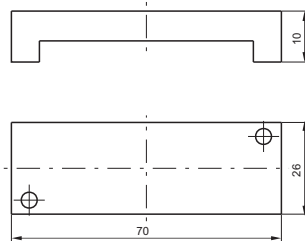
Ordering code

2630.10

Weight gr. 60
to be assembled of a valve

Closing plate

Diaphragm plug



Ordering code

2630.00

Weight gr. 20



Ordering code

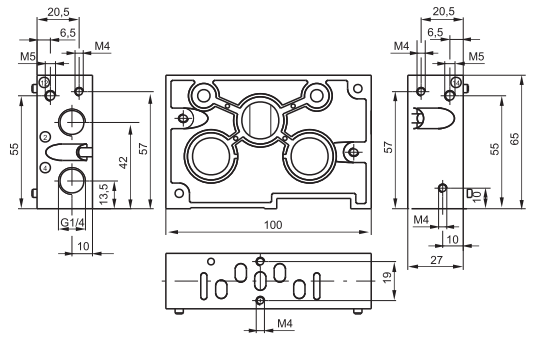
2630.17

Weight gr. 5

2

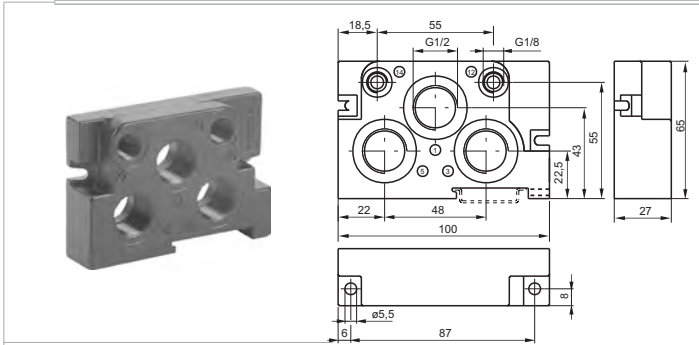
Modular base

Ordering code	
2640.V	
VERSION	
V 01 = standard base	
11 = for single separate inlet	



Weight gr. 220

Right inlet base

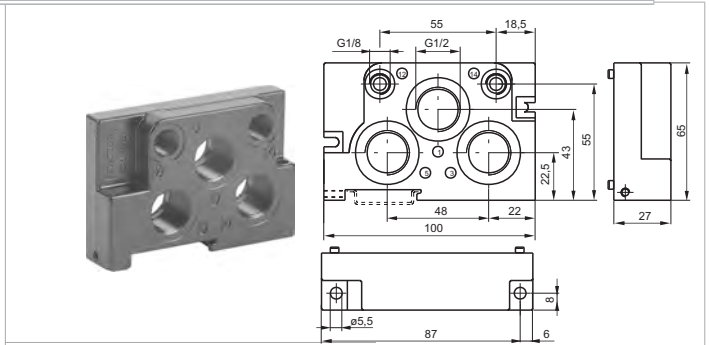


Ordering code

2640.02

Weight gr. 200

Left inlet base



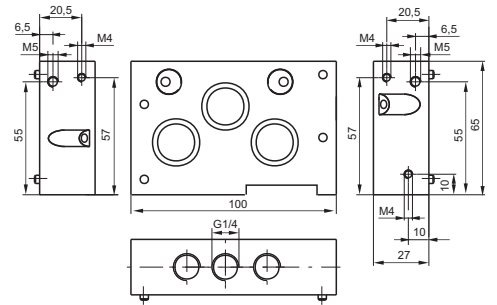
Ordering code

2640.03

Weight gr. 200

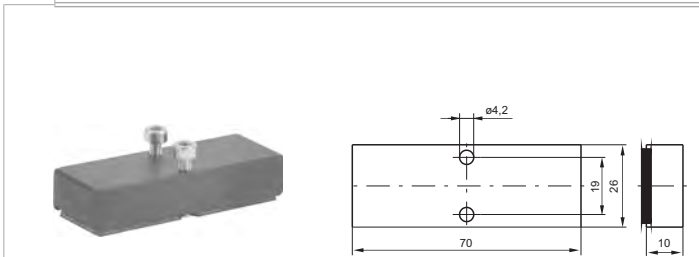
Intermediate air intake

Ordering code	
2640.10	



Weight gr. 380

Closing plate



Ordering code

2640.00

Weight gr. 50

Diaphragm plug



Ordering code

2640.17

Weight gr. 10

2