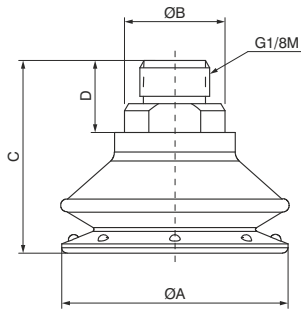
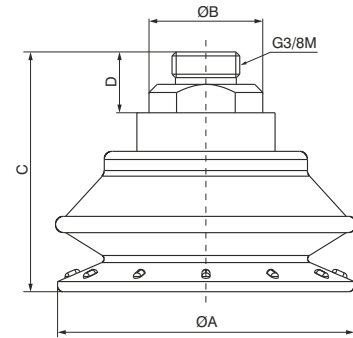


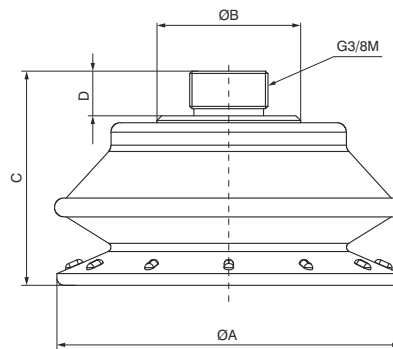
Round bellows suction cup made of polyurethane



Code	ØA	ØB	C	D
19VTS.P:18.030.15	31.5	14	26.8	10
19VTS.P:18.040.15	42	14	32.4	10



Code	ØA	ØB	C	D
19VTS.P:38.050.15	52.5	28	44.3	16



Code	ØA	ØB	C	D
19VTS.P:38.070.15	73	30.5	45.5	10

Round bellows suction cup made of polyurethane, suited for movement of pieces of various size and shape and where level compensation is necessary, such as when withdrawing from loaders. The big advantage of this suction cup is that the material it is made of—polyurethane—lasts longer than other materials, has optimum wear resistance, good flexibility and optimum tensile strength. Polyurethane suction cups are mark resistant.

Table of lifting forces

Code	Volume cm ³	Lifting force in vertical direction (N)			Weight (gr.)
		-20kPa	-60kPa	-90kPa	
19VTS.P:18.030.15	10	13	30	37	10.3
19VTS.P:18.040.15	15	22.5	60	75	17.3
19VTS.P:38.050.15	32	34	86	100	33.4
19VTS.P:38.070.15	108	74	165	225	60.6

Material	Colour	Hardness °Shore A	Operating temperature °C
PU	yellow	40	10 ÷ 50