

## Customized hydraulic power packs type **ASM, ASV, ASA, ASF, ASJ, AST, ASB**

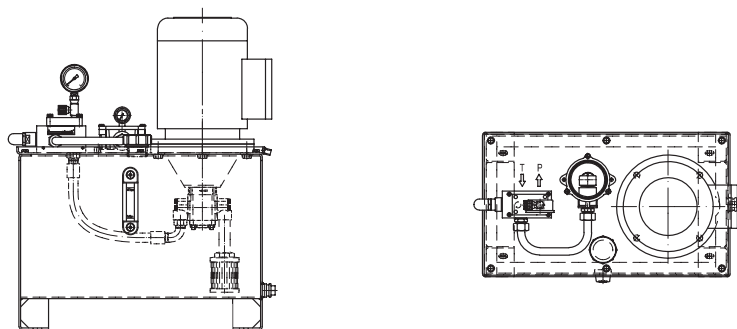
Conform to Machine Directive 2006/42/CE and, in executions with accumulators certificate according to PED Directive 2014/68/EU, the customized hydraulic power packs are provided with electric power from 0,4 to 400 kW and reservoir capacity from 10 to 5000 liters or more; these units have been designed to allow a rational and easy installation of the hydraulic components.

The basic power pack is composed by:

- oil reservoir in steel plate with drain plug;
- filling plug with oil net filter and/or air filter;
- oil level gauge;
- three-phase UNEL-MEC induction motors, 4 o 6 poles, shape B5, B3/B5 or V1;
- bell-housing and couplings;
- hydraulic pumps: gear, vane or piston, single or multiple with fixed or variable displacements in a wide range (flow rate up to 500 l/min and pressure up to 500 bar);
- pressure relief valves for full flow discharge;
- pressure filters, suction filters and return filters;
- manifolds for distribution and regulation of hydraulic power tailored according to the specific application;
- accessories (heat exchangers with water or air circulation, accumulators, etc.);
- versions with lip on the reservoir cover to collect the oil, available on request.

### 1 ASM

The power packs type **ASM** are designed with electric motor installed on the reservoir cover with vertical axis and submersed pump.

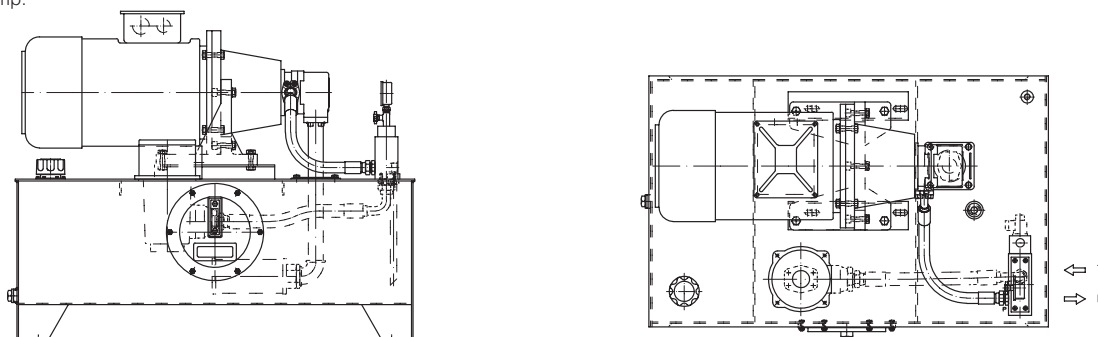


Examples of Scoda CE certificates provided by Notified Bodies:



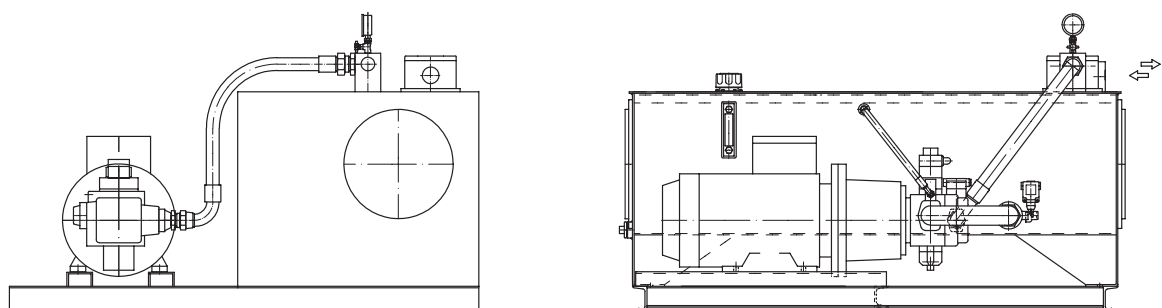
### 2 ASA

The power packs type **ASA** are designed with reservoir capacity over 200 liters, electric motor installed on the reservoir cover with horizontal axis and external pump.



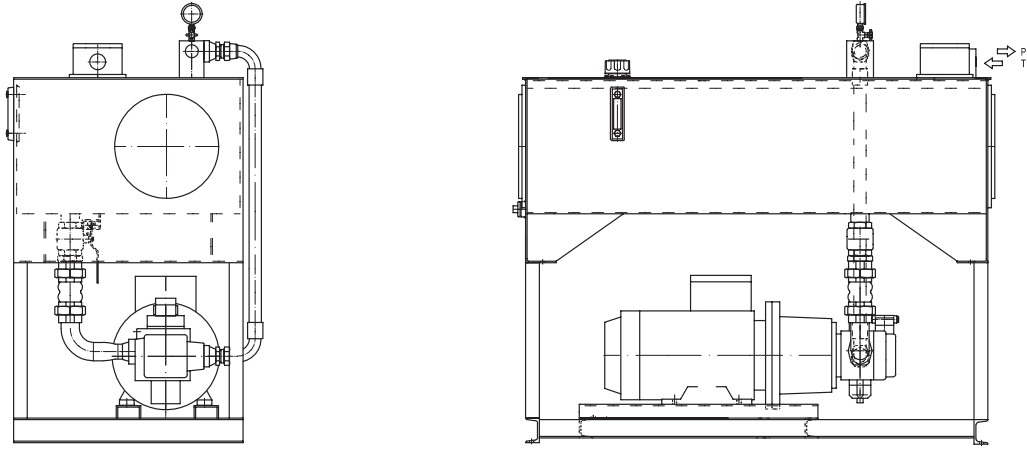
### 3 ASJ

The power packs type **ASJ** are designed with motor-pump group installed beneath the reservoir.



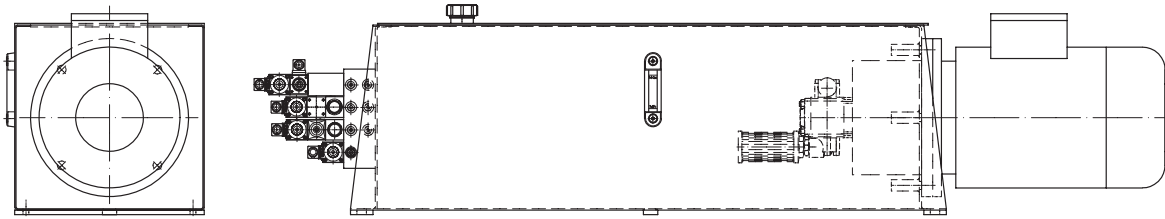
4 ASF

The power packs type **ASF** are designed with motor-pump group installed under the reservoir.



5 AST

The power packs type **AST** are designed with electric motor installed on a wall of the reservoir and submersed pump.



6 ASB

The power packs type **ASB** include the reservoir with the relevant components designed for assembling in the bedplate of the machine

