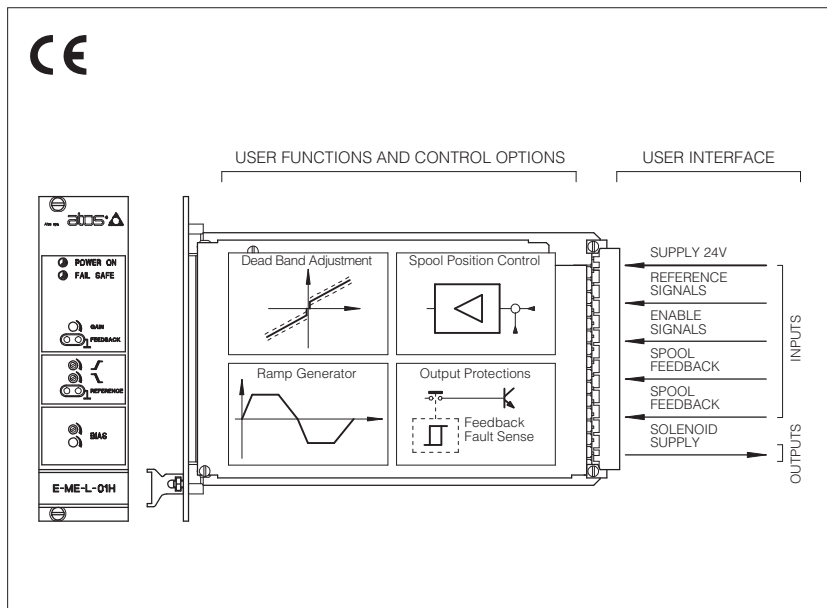


Analog electronic E-ME-L drivers

Eurocard format, for proportional valves with two transducers

obsolete components - availability on request



E-ME-L

Analog drivers control the current to the solenoid of Atos proportional valves with position transducer, regulating the spool position or the flow according to the electronic reference signal, adjusted by transducers's feedbacks.

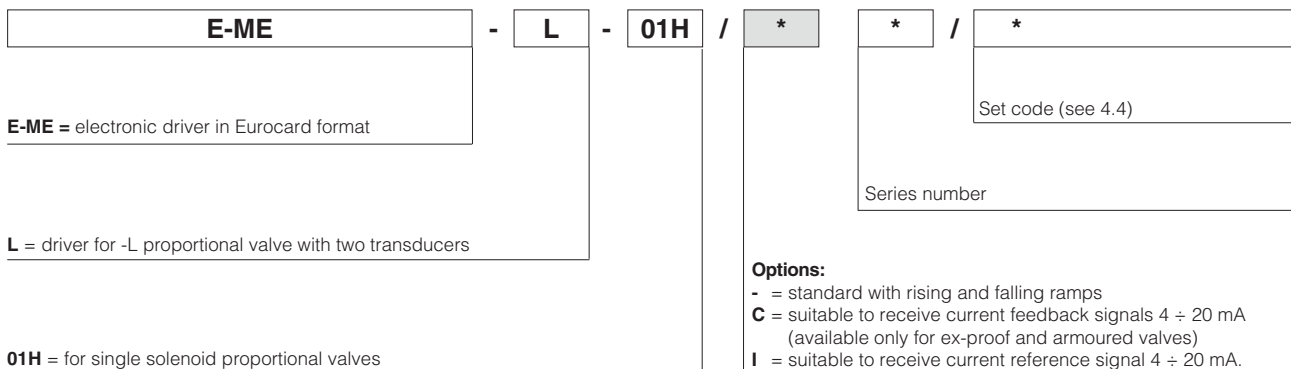
Features:

- bias regulation
- scale and dissymmetrical ramps regulation
- voltage (standard) or current (/I option) reference signal
- voltage (standard) or current (/C option) feedback signal
- test point for reference and feedback control on front panel
- factory pre-set
- Eurocard format (DIN 41494 - plug-in unit)
- electronic filters on input and output lines
- CE mark according to EMC directive
- both sides of the card with shielded cover with E faston connector

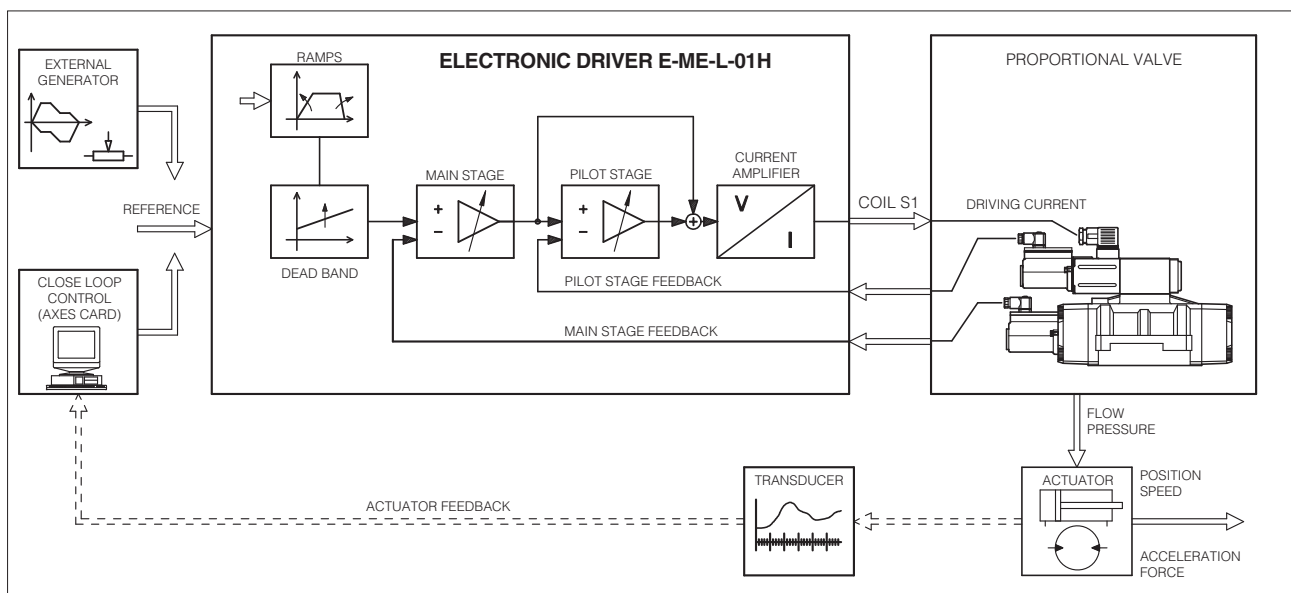
Applications:

Position or flow open or closed-loop regulation systems, according to the block diagram [2].

1 MODEL CODE



2 BLOCK DIAGRAM



3 MAIN CHARACTERISTICS

Power supply (see 4.1) Contacts: positive 2a, 2c; negative 4a, 4c (see [11])	Nominal: +24 Vdc Rectified and filtered: $V_{RMS} = 21 \div 33 V_{MAX}$ (ripple max 10 % V_{PP})
Max power consumption	50 W
Current supplied to solenoid	$I_{MAX} = 3,3$ A square wave PWM type (for ex-proof valves $I_{MAX} = 2,5$ A)
Nominal reference signal, factory preset	E-ME-L-01H: 0 \div 10V at contact 12c (GND on 16a) or ± 10 V at contact 12c (GND on 8a or 16c) for option /I: 4 \div 20 mA at contact 12c (+) and 8a (-)
Reference signal variation range (internal scale adjust option)	± 10 V (SW pos. 1) and ± 5 V (SW pos. 2) 0 \div 10 V (0 \div 5 V) for valves with one external position (DPZO-L-5*, LIQZO-L-**2)
Spool feedback signal (connector T2)	± 5 V maximum range, real output value depends by spool stroke of the controlled valve
Input signal impedance	Voltage $R_i > 50$ k Ω - (/I option $R_i = 316$ Ω)
Potentiometer supply	+10 V / 10 mA at contact 10c and -10V / 10 mA at contact 14c
Ramp time	14 sec. max (0 \div 100 % of reference signal)
Enabling signal	V = 5 \div 24Vdc on contact 8c with led indicator on panel; $R_i \geq 30$ k Ω (max 3 mA)
Electrical wiring	Coil: 2 x 1 mm ² to 20 m 2 x 1,5 mm ² shielded to 40 m Transducer: 4 x 0,25 mm ² to 20 m 4 x 0,5 mm ² shielded to 40 m
Card format	Eurocard 100 x 160 mm (Plug-in unit DIN 41494)
Card connector	Male DIN 41612 /D
Connector elements available	Type E-K-32M frame snap connector (see table G800) to be ordered separately
Operating temperature	0 \div +50 °C (storage -20 \div +70 °C)
Front panel dimensions	128,4 x 35,3 mm
Mass	520 g
Features	Position control by PID action - Fast solenoid excitation and switching off. Outputs to solenoid protected against accidental short circuits. Feedback cable break produces an inhibition of the driver, zeroing the current and creating a fail-safe position in the valve.

4 GENERAL SPECIFICATIONS

4.1 Power supply and wirings

The power supply must be appropriately stabilized or rectified and filtered. If the power supply is generated by a single phase rectifier, use a 10000 μ F/40V capacitor; if pulse voltage is generated by a three phase rectifier connect a 4700 μ F/40V capacitor (see [11]).

Connect the reference signal to the main electronic control by means of shielded and twisted cables. Pay attention: the negative and the positive poles must not be exchanged each other. Shield the wirings to avoid electromagnetic noise (EMC).

It is suitable to keep the driver and its cables far from any electromagnetic radiation source (like cables where high currents flow, electric motors, transformers, relays, solenoids, portable radio-transmitter, etc.).

Wire the earth connection as shown in [1], according to CEI EN 60204-1 standards.

Connect the shield of the driver to the noiseless earth terminal (TE) [13].

The driver is protected against overloads by an internal safety fuse: 4 A fast fuse (see [7]).

4.2 Reference signal

The electronic driver is designed to receive external voltage or current reference signals according to [5].

Note that drivers suitable to receive current reference (/I option) have signal values in the range 4 to 20mA. For single solenoid valves with two external positions (*60), the reference signal is symmetrical ± 10 V (± 5 V).

4.3 Enabling signal

The digital signal on contact 8c allows to enable (24 Vdc) or disable (0 V) the driver without switching off the power supply; use this signal to cyclically inhibit the driver or in emergency conditions.

4.4 Set code

Basic calibration of the electronic driver is factory preset according to proportional valve it has to be coupled with. These pre-calibrations are identified by a standard number in the model code.

For correct set code selection, please include in the driver order also the complete code of the connected proportional valve (for **ex-proof valves** see tech tables **F600**, **E125**).

For further information about set code, please contact Atos technical office.

Note: for main stage position transducer connection, refer sections [11] and [12]:

- **T1A** connection, for **DPZO** and **LIQZO**

- **T1B** connection, for **LIQZP**

4.5 Calibrations/settings available to the user, see [7], [8], [9], [10]

Scale, see [7]

The Scale regulation, available on the card side, permits to modify the relation between the reference signal and the position or the regulated flow.

Modifying this regulation it is possible to fit the valve hydraulic behaviour to the effective system conditions; in addition the two regulations available for positive and negative reference signals permit to set different hydraulic adjustments for positive and negative movements.

The Scale regulation is factory set in order to control the max valve opening with 100% of the reference signal (10 V).

Bias, (dead band compensation)

The bias regulations, available on the front panel (P1), permit to set the correspondence between the electrical zero of the reference signal with the beginning of the valve's hydraulic regulation, compensating the dead band and the component's mechanical tolerances.

Modifying this regulation (see [9]) it is possible to fit the valve hydraulic behaviour to the effective system conditions.

This regulation is factory set at the standard values depending to the proportional valve to be controlled and it is identified by the driver set code (see 4.4).

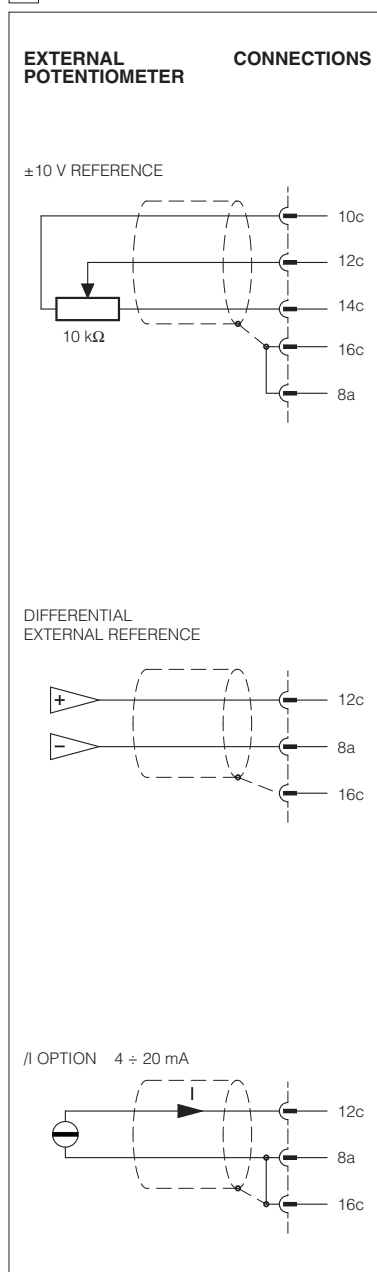
Ramps, see [7], [11]

The ramp regulation, available on the front panel, permit to modify the time in which the valve reaches the set opening value in front of a step change of the reference signal.

The ramp regulation is factory set at value close to zero and it can be increased up to 14 sec max for a step change of the reference signal from 0% to 100%.

The two available regulations P3 and P4 permit to respectively regulate the ramp times for positive and negative variations of the reference signal. In case of application of the driver in closed loop systems, it is advisable to disable the ramp function: it is possible to permanently disable this function by means of a switch on the card side ([7]) or temporarily, connecting the pin 6c and 6a ([12]).

5 EXTERNAL REFERENCE SIGNALS



6 INSTALLATION AND START-UP

6.1 Warning

- Do not insert or remove the driver while the electronic system is energized.
- Connect the electronic driver according to the desired connection diagram (see [10], [11])
- The voltages must be always measured in reference to the GND (pin 16a of the connector).
- Refer [8] to identify components mentioned in the setting procedure.
- To check the reference signal and the regulated valve opening, use the test points T1 and T2 the on front panel.

6.2 Start-up

Factory preset adjustments may not meet the desired requirements for the specific application and performances can be optimized by on-site re-adjustments of bias, scale and ramps potentiometers, in sequence. It is advisable to perform calibration procedures in the order given below.

Bias adjustment (dead band compensation), see [8], [9], [10]

- Supply a reference signal voltage = 0V_{cc}.
- Gradually turn bias potentiometer P1 until a movement of the controlled actuator is obtained.
- Turn slowly in the opposite sense, until stop is obtained.

Scale adjustment, see [7], [9], [10]

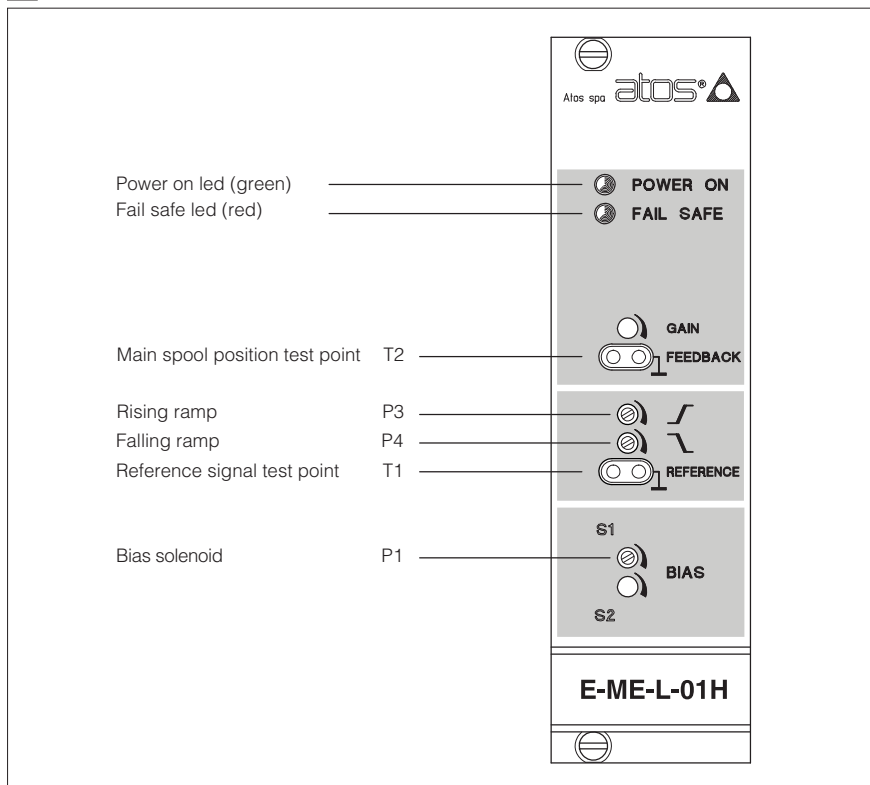
Factory pre-set reference signal is $\pm 10V$ (selector in position 1). If a $0 \div 5V$ ($\pm 5V$) reference signal is available, set selector in position 2 (see [7]-A).

- Only in particular cases when a non standard reference signal is available it is possible to adjust maximum valve opening with scale regulation proceeding as follow :
- supply max reference signal voltage (repeat for max negative voltage) in the specified range and turn counterclockwise internal scale potentiometers P5 and P6 (factory preset to 100%) to reduce valve opening (see [7]-C).

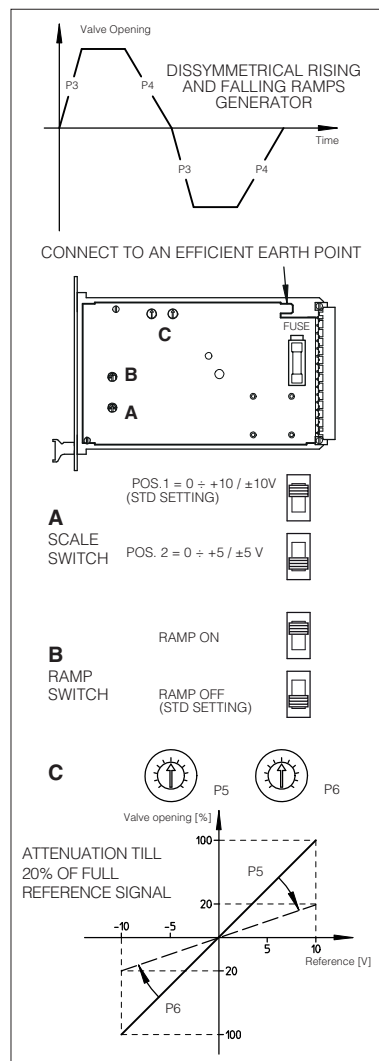
Ramps, see [7], [8]

If the card is being used in a open loop system push the switch from position ramp off (standard) to ramp on, (see [7]-B). Calibrate the ramp settings only if dynamic impacts and tendencies towards instability persist after optimizations of the whole system. Adjust the ramp settings using the ramp potentiometers (P3 and P4) until the phenomenon has been eliminated (Clockwise rotation = increase in ramp time).

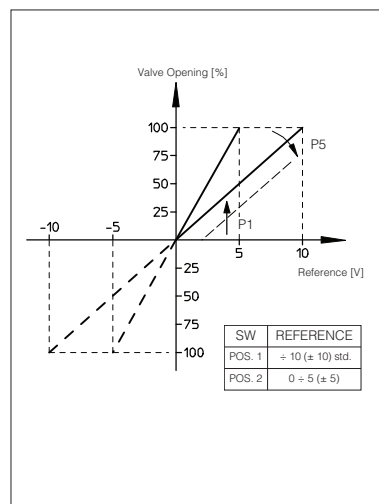
8 E-ME-L-01H TOPOGRAPHICAL VIEW OF REGULATIONS



7 RAMPS AND SETTINGS



9 E-ME-L-01H DIAGRAM



10 IMPORTANT INSTRUCTIONS

ELETTROMAGNETIC COMPATIBILITY

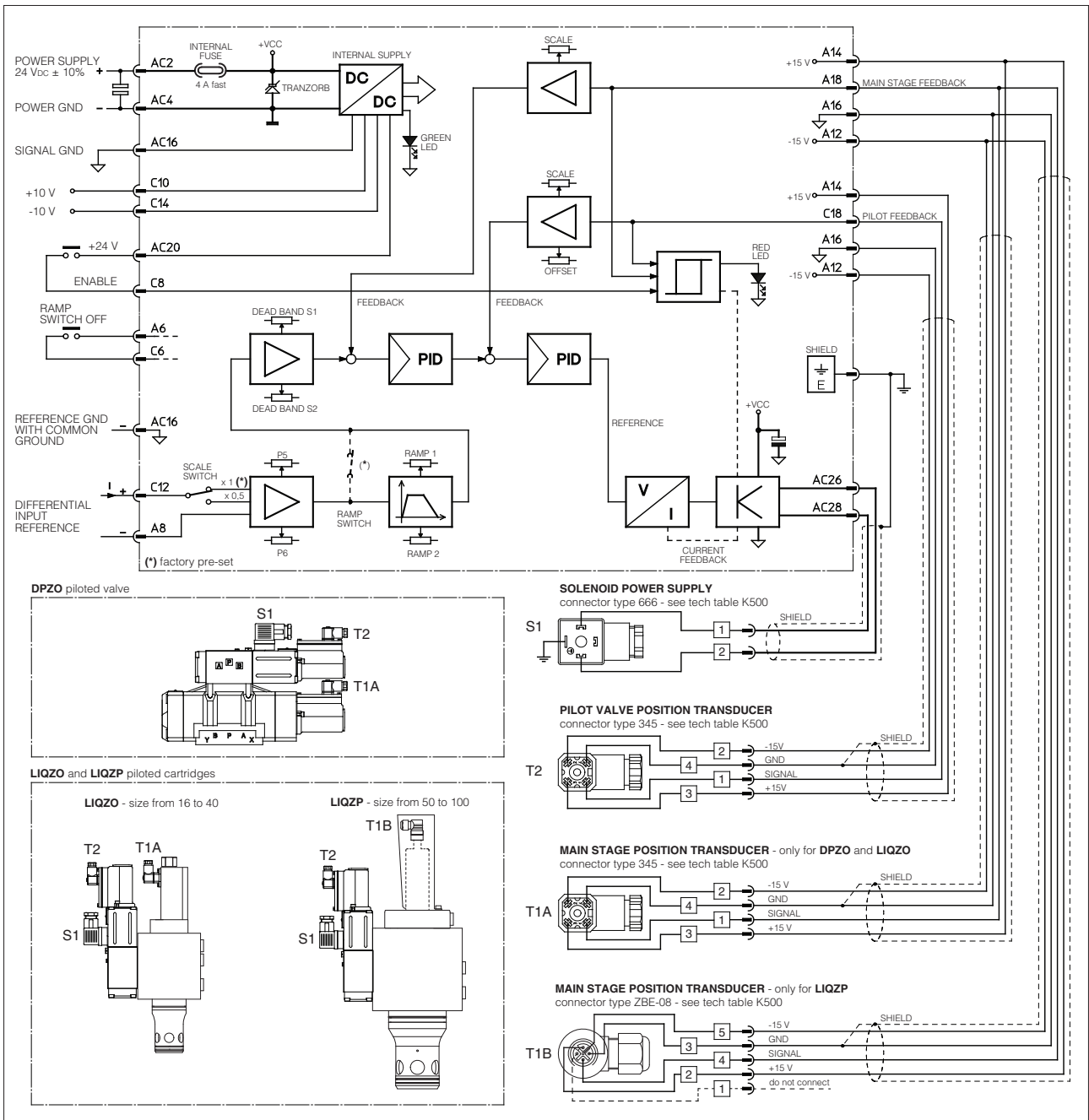
Atos electronic drivers and proportional valves are designed according to the 2014/30/UE Directive (Electromagnetic Compatibility) and according to EN 50081-2 (Emission) and EN 50082-2 (Immunity) standards. The electromagnetic compatibility of electronic drivers is valid only for wirings realized according to the typical electric connections shown in this technical table.

The device must be verified on the machine because the magnetic field may be different from the test conditions.

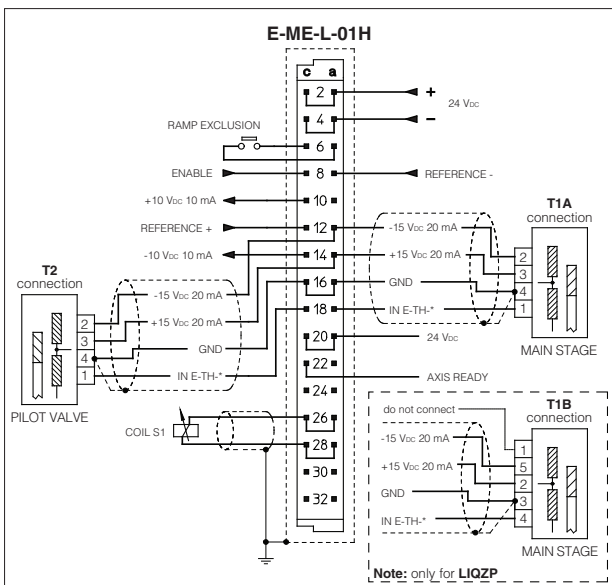
SAFETY

The electrical signals (for example reference signals, feedback and enable signal) of electronic drivers must not be used to realize safety conditions of the machine. This is in accordance with the provisions of European directives (Safety requirements of fluid technology systems and components-hydraulics, EN 982). Special attention must be paid to switch-on/switch-off of electronic drivers because they could produce uncontrolled movements of actuators operated by the proportional valves.

11 WIRING BLOCK DIAGRAM



12 GENERAL CONNECTIONS



13 EARTH CONNECTIONS

