



120
kN

-100
kN

60
kN

-50
kN

2900
nm

71
kg

40
l/min

FORGED STEEL IN MY BODY

DOUBLE ROLLER/TAPPER BEARING

100 \varnothing 45 mm

R 1/2" BSP

R 250 bar

GO/GC 1/2" BSP

GO 300 bar

GC 300 bar

Rotator's upper mount is applied in FORK form factor of the knuckle joint. Robust and tough built to withstand even overloads. The fork width (between fork ends) is common standard width 100mm and the knuckle pin diameter 45mm.

Hydraulic rotator FHR 12FD1 designed for heavy duty machinery to meet the highest demands for quality and reliability. Ideal for intensive professional use in forestry, agriculture, road and building construction, recycling industry, general cargo and material handling.

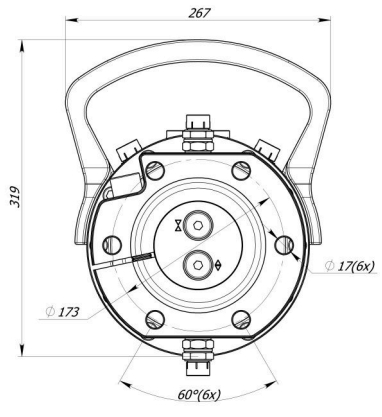
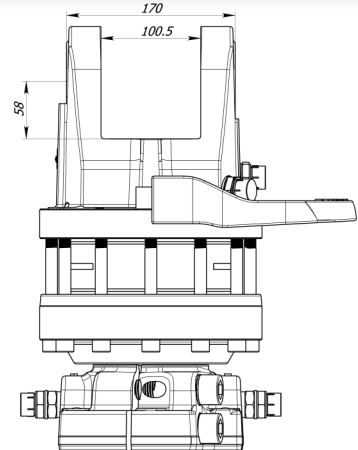
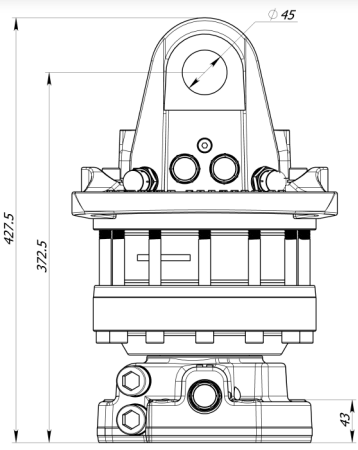


Rotator lower mount is applied in FLANGE form factor to mount direct on grapple / tool surface by fixing with screws

GO/GC \varnothing 173 17(x6) mm

GO/GC 1/2" BSP

GO/GC 1/2" BSP



For additional information relating to price levels and technical data, please contact sales@formiko.lv

Formiko Hydraulic s Ltd
Dzircema Str. 119 k-1,
Rīga LV1055 LATVIA

+371 294 49 552
+371 264 59 383
sales@formiko.lv
www.formiko.lv

On request by special conditions there are metric nipples available for rotator FHR 12FD1


20th ANNIVERSARY 2000-2020


FORESTRY GENERAL CARGO AGRICULTURE CONSTRUCTION RECYCLING


Current document is automatic generated at www.formiko.lv on 01/22/2020.
Please always make sure that it's up to date and try to be paperless!





Hydraulic rotator FHR 12FD1 designed for heavy duty machinery to meet the highest demands for quality and reliability. Ideal for intensive professional use in forestry, agriculture, road and building construction, recycling industry, general cargo and material handling.


 Rotator's upper mount is applied in FORK form factor of the knuckle joint. Robust and tough built to withstand even overloads. The fork width (between fork ends) is common standard width 100mm and the knuckle pin diameter 45mm.


 Rotator lower mount is applied in FLANGE form factor to mount direct on grapple / tool surface by fixing with screws


 Rotator FHR 12FD1 based on reliable vane type hydraulic motor which delivers torque up to 2900Nm at 25MPa.

 Formiko Hydraulics rotator FHR 12FD1 is equipped with double bearings to withstand both tensional and pushing loads.

 Some parts in rotator are built from shock resistant and deformation resistant forged steel.

 Formiko rotator FHR 12FD1 is compatible with FHL 03 series links.

 Rotator for shipping is packed in compact solid cardboard box with dimensions 450x250x250mm.

 We providing TWO year warranty for this rotator.

For additional information relating to price levels and technical data, please contact sales@formiko.lv

Formiko Hydraulic s Ltd

Dzirnieka Str. 119 k-1,
Riga LV1055 LATVIA

+371 294 49 552
+371 264 59 383
sales@formiko.lv
www.formiko.lv

On request by special conditions there are metric nipples
available for rotator FHR 12FD1

