



55
kN

L73 ϕ 30
mm

R
3/8"
BSP

R
250
bar

GO/GC
3/8"
BSP

GO
200
bar

GC
300
bar

32.5
kN

1300
nm

36
kg

30
l/min

Hydraulic rotator FHR 5.500SF is cost-effective solution generally for seasonal use in forestry, agriculture, road and building construction, general cargo and material handling.



Rotator's upper mount is applied in EYE form factor of the knuckle joint. Robust and tough built to withstand even overloads. The wide of eye is common standard width 73mm and the knuckle pin diameter 30mm.



FHL 01-A/B-73/30



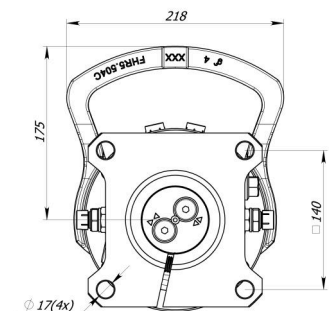
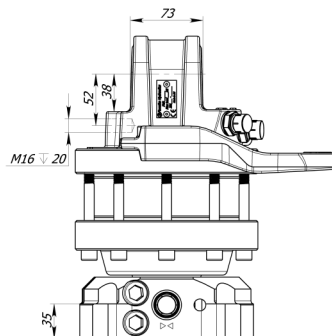
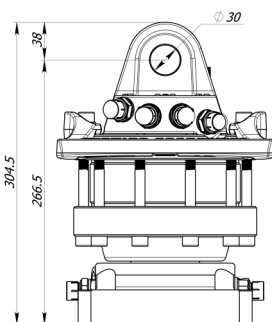
FHL 01B-A/B-73/30

Rotator lower mount is applied in SQUARE shape FLANGE form factor to mount direct on grapple / tool surface by fixing with screws

140
 \square 140
 ϕ 17(x4)
mm

GO/GC
3/8"
BSP

GO/GC
3/8"
BSP



For additional information relating to price levels and technical data, please contact sales@formiko.lv

Formiko Hydraulic s Ltd

Dzirciema Str. 119 k-1,
Riga LV1055 LATVIA

+371 294 49 552
+371 264 59 383
sales@formiko.lv
www.formiko.lv

On request by special conditions there are metric nipples available for rotator FHR 5.500SF



FORESTRY AGRICULTURE CONSTRUCTION





Hydraulic rotator FHR 5.500SF is cost-effective solution generally for seasonal use in forestry, agriculture, road and building construction, general cargo and material handling.



Rotator's upper mount is applied in EYE form factor of the knuckle joint. Robust and tough built to withstand even overloads. The wide of eye is common standard width 73mm and the knuckle pin diameter 30mm.



Rotator lower mount is applied in SQUARE shape FLANGE form factor to mount direct on grapple / tool surface by fixing with screws



Rotator FHR 5.500SF based on reliable vane type hydraulic motor which delivers torque up to 1300Nm at 25MPa.



Formoko rotator FHR 5.500SF is compatible with FHL 01-A/B-73/30 and FHL 01B-A/B-73/30 series links.



Rotator for shipping is packed in compact solid cardboard box with dimensions 340x230x240mm.



Bigger! Stronger! More powerful!



We providing TWO year warranty for this rotator.

For additional information relating to price levels and technical data, please contact sales@formiko.lv

Formiko Hydraulic s Ltd

Dzirciema Str. 119 k-1,
Riga LV1055 LATVIA

+371 294 49 552

+371 264 59 383

sales@formiko.lv

www.formiko.lv

On request by special conditions there are metric nipples
available for rotator FHR 5.500SF



FORESTRY



AGRICULTURE



CONSTRUCTION

