



60  
kN



DOUBLE  
ROLLER/TAPPER  
BEARING

-50  
kN



80  $\phi$ 35  
mm



1/2"  
BSP



250  
bar



1/2"  
BSP



250  
bar



300  
bar

30  
kN

-25  
kN

1850  
nm

37  
kg

25  
l/min

Hydraulic rotator FHR 6LD1/69 is ideal for professional use in forestry, agriculture, road and building construction, recycling industry, general cargo and material handling.

Rotator's upper mount is applied in FORK form factor of the knuckle joint. Robust and tough built to withstand even overloads. The fork width (between fork ends) is common standard width 80mm and the knuckle pin diameter 35mm.



FHL 02

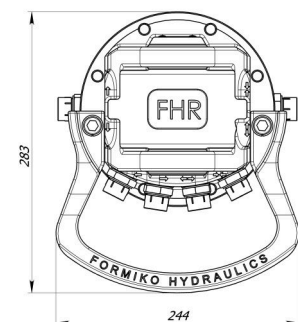
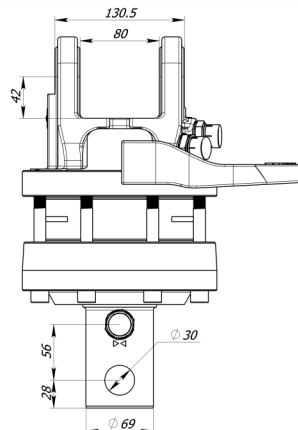
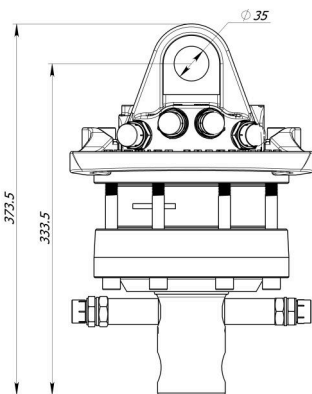
Rotator lower mount is applied in AXLE form factor to mount in grapple / tool mounting tube or adaptor and by fixing with pin. Axle (shaft) diameter is 69mm and the fixing pin (not included) diameter 30mm



69  $\phi$ 30  
mm



1/2"  
BSP



For additional information relating to price levels and technical data, please contact [sales@formiko.lv](mailto:sales@formiko.lv)

**Formiko Hydraulic s Ltd**

Dzircema Str. 119 k-1,  
Rīga LV1055 LATVIA

+371 294 49 552  
+371 264 59 383  
[sales@formiko.lv](mailto:sales@formiko.lv)  
[www.formiko.lv](http://www.formiko.lv)

On request by special conditions there are metric nipples available for rotator FHR 6LD1/69



FORESTRY GENERAL CARGO AGRICULTURE CONSTRUCTION RECYCLING





Hydraulic rotator FHR 6LD1/69 is ideal for professional use in forestry, agriculture, road and building construction, recycling industry, general cargo and material handling.



Rotator's upper mount is applied in FORK form factor of the knuckle joint. Robust and tough built to withstand even overloads. The fork width (between fork ends) is common standard width 80mm and the knuckle pin diameter 35mm.



Rotator lower mount is applied in AXLE form factor to mount in grapple / tool mounting tube or adaptor and by fixing with pin. Axle (shaft) diameter is 69mm and the fixing pin (not included) diameter 30mm



Rotator FHR 6LD1/69 based on reliable vane type hydraulic motor which delivers torque up to 1850Nm at 25MPa.



Formiko Hydraulics rotator FHR 6LD1/69 is equipped with double bearings to withstand both tensional and pushing loads.



Formiko rotator FHR 6LD1/69 is compatible with FHL 02 series links.



Rotator for shipping is packed in compact solid cardboard box with dimensions 400x250x250mm.



We providing TWO year warranty for this rotator.

For additional information relating to price levels and technical data, please contact [sales@formiko.lv](mailto:sales@formiko.lv)

**Formiko Hydraulic s Ltd**

Dzirnieka Str. 119 k-1,  
Rīga LV1055 LATVIA

+371 294 49 552  
+371 264 59 383  
[sales@formiko.lv](mailto:sales@formiko.lv)  
[www.formiko.lv](http://www.formiko.lv)

On request by special conditions there are metric nipples  
available for rotator FHR 6LD1/69

