



60
kN



**DOUBLE
ROLLER/TAPPER
BEARING**

-50
kN



80 \varnothing 35
mm



1/2"
BSP



250
bar



1/2"
BSP



250
bar



300
bar

30
kN

-25
kN

1850
nm

39
kg

25
l/min

Hydraulic rotator FHR 6LD1/78 is ideal for professional use in forestry, agriculture, road and building construction, recycling industry, general cargo and material handling.



Rotator's upper mount is applied in EYE form factor of the knuckle joint. Robust and tough built to withstand even overloads. The wide of eye is common standard width 80mm and the knuckle pin diameter 35mm.



FHL 02

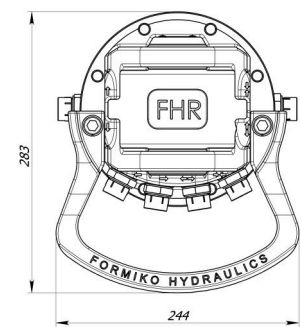
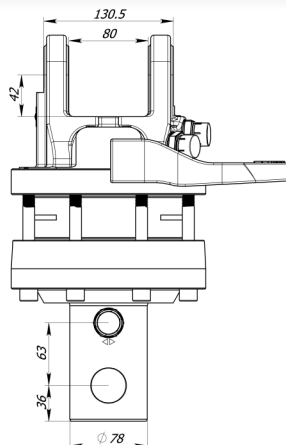
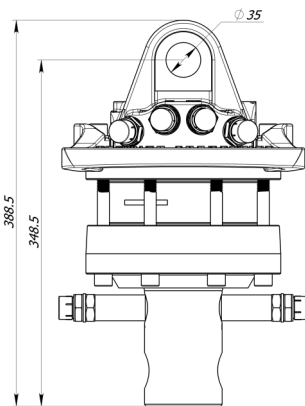
Rotator lower mount is applied in AXLE form factor to mount in grapple / tool mounting tube or adaptor and by fixing with pin. Axle (shaft) diameter is 78mm and the fixing pin (not included) diameter 30mm



78 \varnothing 30
mm



1/2"
BSP



For additional information relating to price levels and technical data, please contact sales@formiko.lv

Formiko Hydraulic s Ltd

Dzirciema Str. 119 k-1,
Riga LV1055 LATVIA

+371 294 49 552
+371 264 59 383
sales@formiko.lv
www.formiko.lv

On request by special conditions there are metric nipples available for rotator FHR 6LD1/78



FORESTRY



GENERAL CARGO



AGRICULTURE



CONSTRUCTION



RECYCLING





Hydraulic rotator FHR 6LD1/78 is ideal for professional use in forestry, agriculture, road and building construction, recycling industry, general cargo and material handling.



Rotator's upper mount is applied in EYE form factor of the knuckle joint. Robust and tough built to withstand even overloads. The wide of eye is common standard width 80mm and the knuckle pin diameter 35mm.



Rotator lower mount is applied in AXLE form factor to mount in grapple / tool mounting tube or addaptor and by fixing with pin. Axle (shaft) diameter is 78mm and the fixing pin (not included) diameter 30mm



Rotator FHR 6LD1/78 based on reliable vane type hydraulic motor which delivers torque up to 1850Nm at 25MPa.



Formiko Hydraulics rotator FHR 6LD1/78 is equipped with double bearings to withstand both tensional and pushing loads.



Formiko rotator FHR 6LD1/78 is compatible with FHL 02 series links.



Rotator for shipping is packed in compact solid cardboard box with dimensions 400x250x250mm.



We providing TWO year warranty for this rotator.

For additional information relating to price levels and technical data, please contact sales@formiko.lv

Formiko Hydraulic s Ltd

Dzirčiema Str. 119 k-1,
Rīga LV1055 LATVIA

+371 294 49 552
+371 264 59 383
sales@formiko.lv
www.formiko.lv

On request by special conditions there are metric nipples available for rotator FHR 6LD1/78

