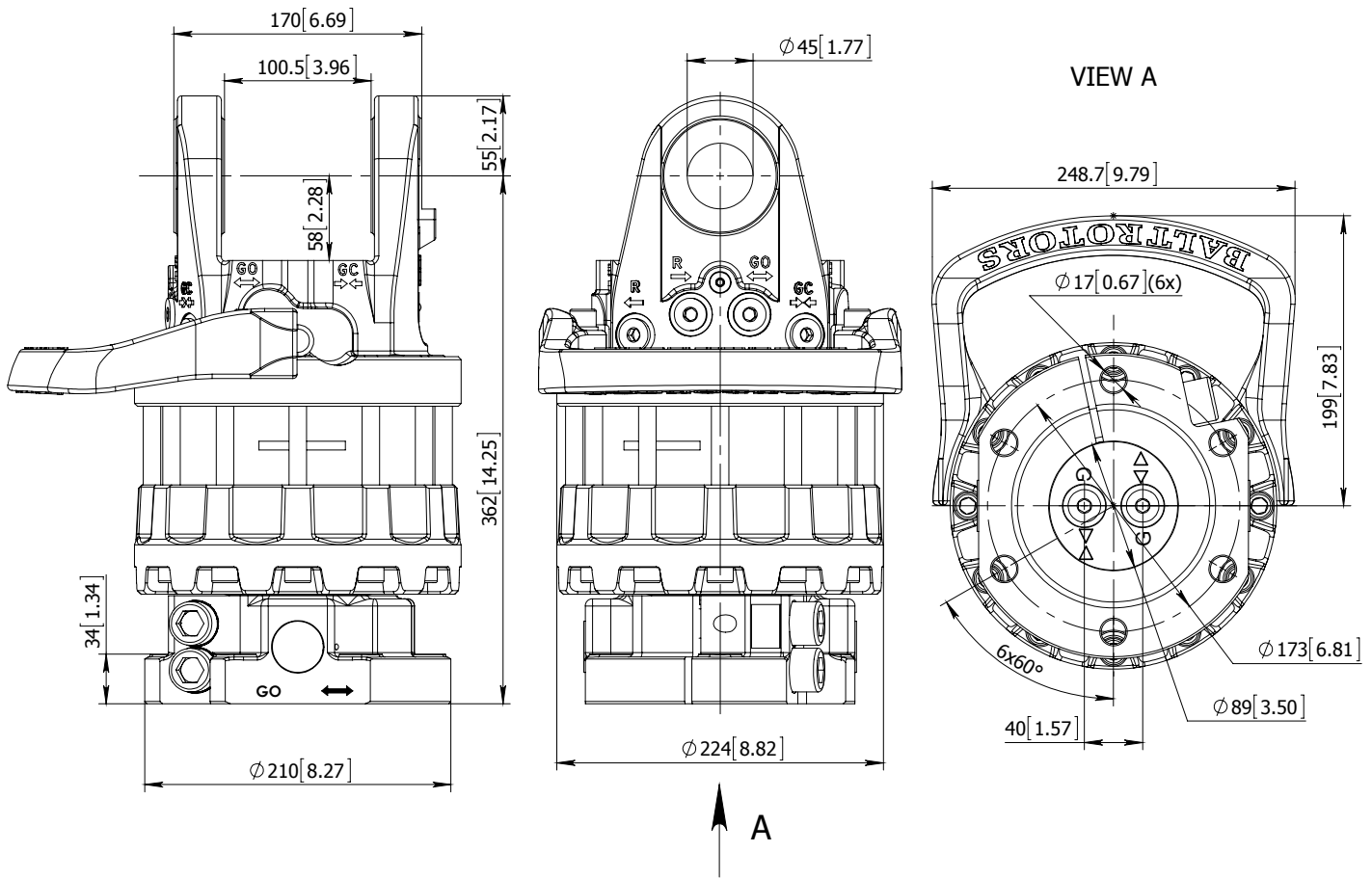


ROTATOR GR12SC



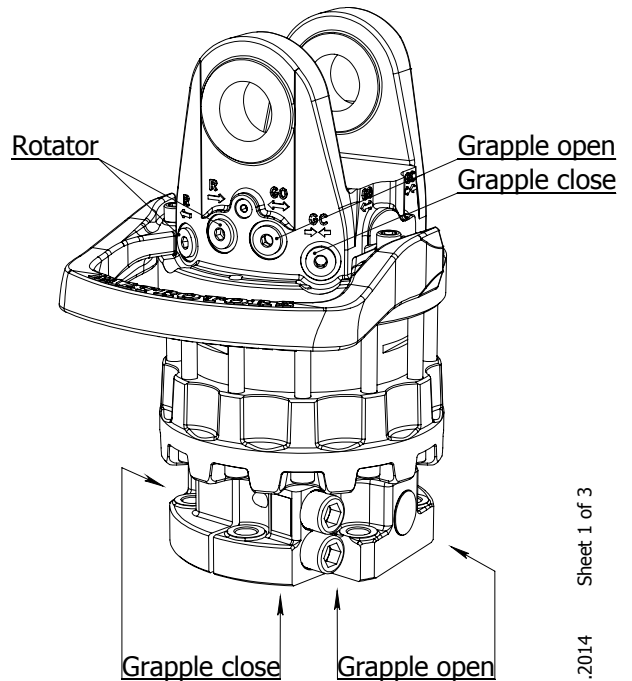
Technical data

Rotation	Unlimited
Max axial load static, KN (lbf)	+120 (26982) - 90 (20236)
Max axial load dynamic, KN (lbf)	+60 (13491) - 45 (10118)
Torque at 25Mpa (3625psi), Nm (lb ft)	2900 (2139)
Rec oilflow, l/min (US gallon)	35 (9.25)
Weight, kg (lb)	69 (152)

Max working pressure:

Rotator	←R→ Max 25 MPa (3625 psi)	3/4-16 UNF 2B
Grapple / Tool open	←G→ Max 30 MPa (4350 psi)	3/4-16 UNF 2B
Grapple / Tool close	→G← Max 30 MPa (4350 psi)	3/4-16 UNF 2B

Connection:



25.03.2014 Sheet 1 of 3