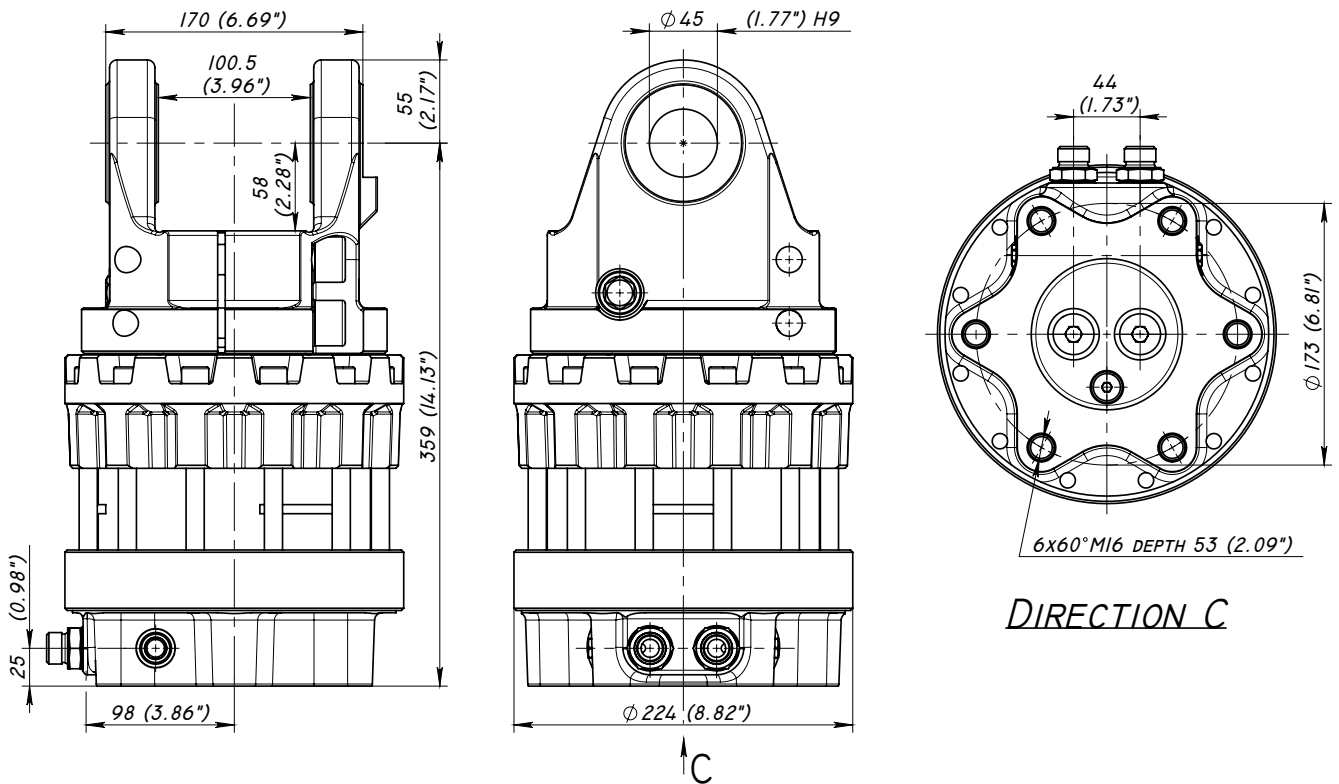


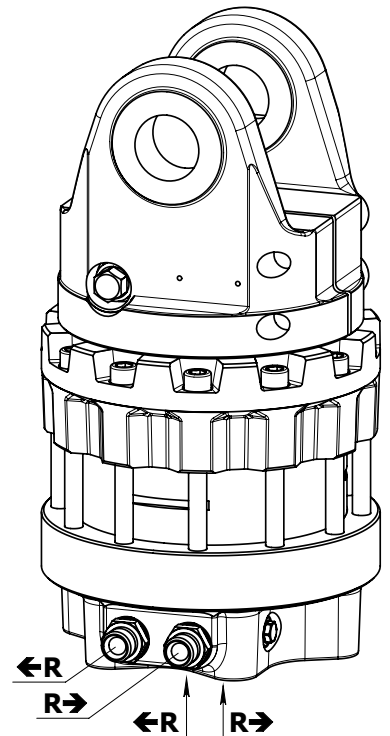
# ROTATOR HR 16 SM

Specially designed for the Harvester heads



## Technical data

Rotation	Unlimited
Max axial load static, KN (lbf)	+160 (35976) -100 (22485)
Max axial load dynamic, KN (lbf)	+80 (17988) -50 (11242)
Torque at 25Mpa (3625psi), Nm (lb ft)	3500 (2581)
Rec oilflow, l/min (US gallon)	40 (10.6)
Weight, kg (lb)	71 (157)
<b>Max working pressure:</b>	<b>Connection:</b>
Rotator ←R→ Max 25 MPa (3625 psi)	G 1/2"
Relief valve opening pressure 26.5 Mpa (3842psi)	



2007.12.12.