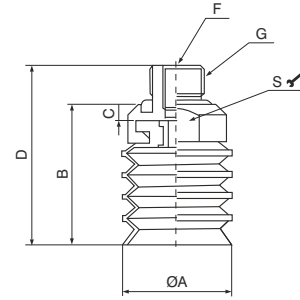
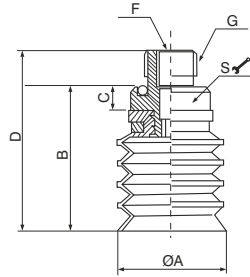


Long bellows suction cup



Code	ØA	B	C	D	F	G	S
19VTS.●18.020.45	20	24.5	1.5	30.5	M5	G1/8"	S12
19VTS.●18.030.45	30	37	5	44	-	G1/8"	S17
19VTS.●18.040.45	40	17	5	24	-	G1/8"	S17
19VTS.●14.050.45	50	58	6	67	-	G1/4"	S24

Code	ØA	B	C	D	F	G	S	Weight (gr.)
19VTS.S.18.020.45	20	26	3	27	M5	G1/8"	S16	5.9

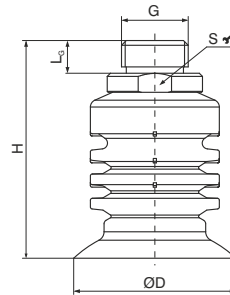
Long bellows suction cup which, due to its shape, makes it possible to compensate for differences in height. Its upward movements are particularly suitable for the separation of thin products, and suitable for handling food packed in plastic bags and for fragile objects. This suction cup is not suitable for handling objects with lifting force parallel to the surface.

Table of lifting forces

Code	Volume cm <sup>3</sup>	Lifting force in vertical direction (N)		Weight (gr.)
		-20kPa	-60kPa	
19VTS.●18.020.45	4	0.3	0.6	3.9
19VTS.●18.030.45	13	0.6	1.55	12.4
19VTS.●18.040.45	27	1.05	2.15	19.8
19VTS.●14.050.45	55	1.68	4.22	38.3

Material	Colour	Hardness °Shore A	Operating temperature °C
NBR	black	55	-20 ÷ 110
Silicone	red	50	-40 ÷ 200

Long bellows suction cup for bags



Code	D	H	G	L <sub>0</sub>	S
19VTS.S.14.030.35	30.5	51.5	G1/4"	9	19
19VTS.S.38.040.35	40	56	G3/8"	10	22
19VTS.S.12.050.35	50	69	G1/2"	10	28

The long bellows suction cup is especially suited for the movement of bags, thanks to its very thin lip and internal notchings, which allow it to ensure secure gripping even with heavy bags that are difficult to lift.

Table of lifting forces

Code	Volume cm <sup>3</sup>	Lifting force in vertical direction (N)	Weight (gr.)
		-60kPa	
19VTS.S.14.030.35	8.5	9	17.6
19VTS.S.38.040.35	14	15	23.6
19VTS.S.12.050.35	26	25	44.2

Material	Colour	Hardness °Shore A	Operating temperature °C
Silicone	red	40	-40 ÷ 200