

General

This direct operated solenoid valve has minimum overall dimensions (15 mm wide). Its construction method is same as 10 mm valve, of course.

It is suitable to be single or gang mounted or as electro-operator for larger air flow distributors.

Can be utilized with compressed air and other fluids compatible with material used to build the solenoid valve.

The available versions, all equipped with manual override, are 3 ways, normally closed and normally open with DC and AC 50/60 Hz.

It's possible to install the N.O. valve on N.C. interface by using the registered reverse system included in the valve body.

The electrical connection is made with cables (300 mm.), FASTON or with connector.

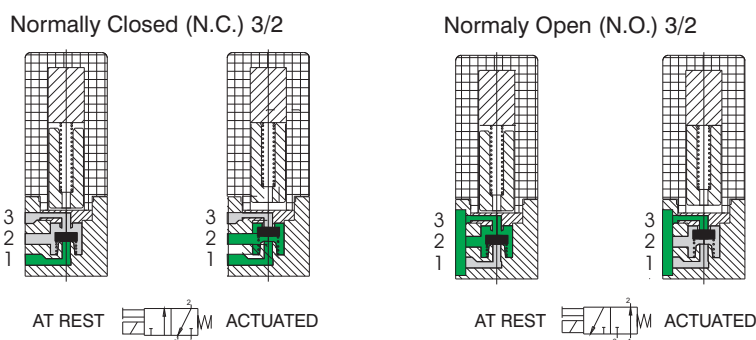
This type of miniature solenoid valve is interchangeable with most of the same products available on the market.

Coil be can also positioned at 180° to get the electrical connection located on the opposite side than override.

Make sure that the fastening screws are tightened with maximum torque of 0,75 Nm.

Functional schematics

- 1 = SUPPLY PORT
- 2 = OUTLET PORT
- 3 = EXHAUST PORT



Construction characteristics

Electrical part

Miniature solenoid consisting of a coil made of copper wire of different diameters depending on voltage, isolated according to "F" class standard, with injection-moulded nylon-glass application. All parts forming the cladding, the electrical connections and the pole pieces are protected against corrosion.

Mechanical part

AISI 430F cores, AISI 302 return springs, FPM poppets, thermoplastic polyester body.

Technical characteristics

Pneumatics

Nominal diameter	0.8	1,1 mm	1,5 mm (only D.C.)
Maximum flow rate at 6 bar with Δp 1 bar	20 NI/min	30 NI/min	50 NI/min
Working pressure for N.C.	0 - 10 bar		0 - 7 bar
Working pressure for N.O.	/	0 - 8 bar	0 - 5 bar
Temperature	-5° +50°C		
Life expectancy	50 million cycles (with standard working conditions)		

Electrical

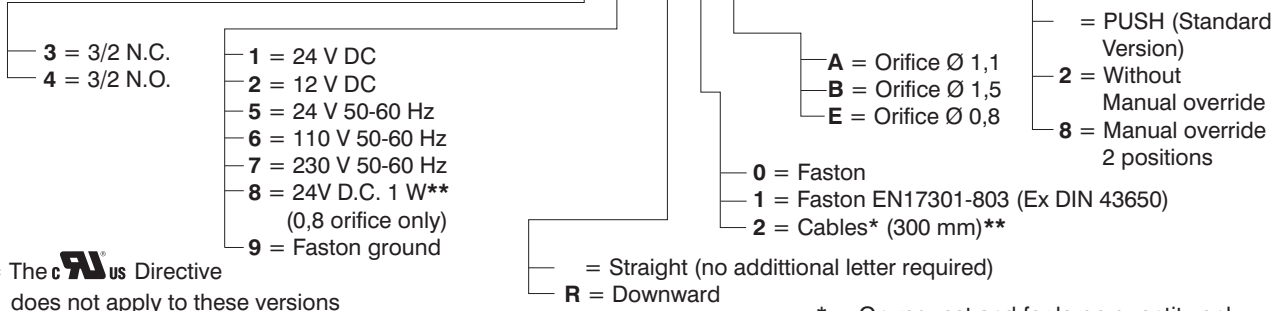
Voltage D.C.	24 V DC	12-24 V DC	
Voltage A.C.	/	24-110-230 Volt 50/60 Hz	/
Power consumption D.C.	1 Watt	2,3 Watt	
Power consumption A.C.	/	2,8 VA (at starting) 2,5 VA (at speed)	/
Voltage tolerance	-5% - +10%		
Response time *	10-12 ms		
Isolating class	F (155°C)		
Protection degree	IP65 (with cables) IP40 (with connectors) IP00 (with faston)		

(*) "Shifting time of pneumatic directional control valves or moving parts, logic devices were measured in accordance to ISO 12238:2001, Pneumatic fluid power - Directional control valves - Measurement of shifting time"



15 mm miniature solenoid ordering codes

N3



** = The CE Directive does not apply to these versions

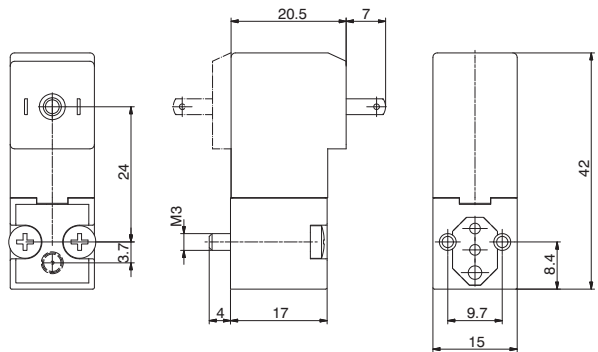
See previous page for available versions

* = On request and for large quantity only (only 24 V D.C., 2.3 W)

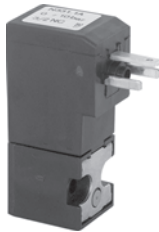
With Faston



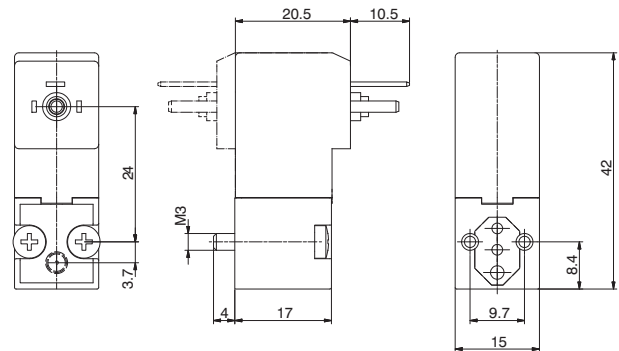
Weight 36 gr.



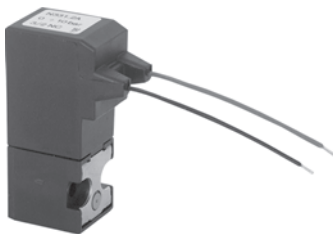
With Faston EN17301-803 (Ex DIN 43650)



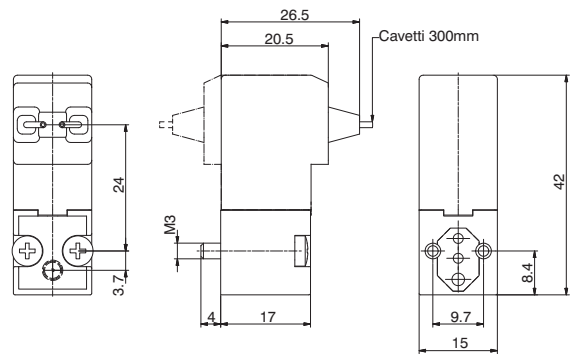
Weight 36 gr.



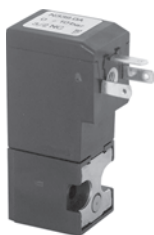
With Cables (300 mm)



Weight 38 gr.



With Faston ground



Weight 38 gr.

