

# Multiple pumps type PFEX, PFRX, PVPCX2E

vane, piston, fixed or variable displacement

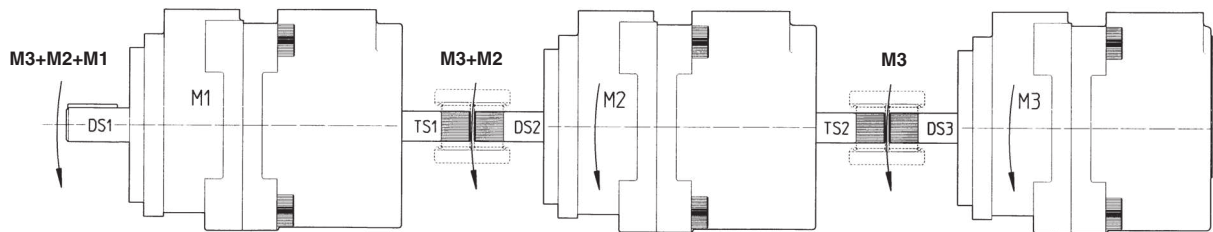
Multiple pumps are composed by various vane, radial piston or axial piston pumps modularly assembled:

**PFEX**, see section 1, are composed by vane pumps PFE (table A005 and A007) or PFED (table A180);

**PFRX**, see section 2, are composed by radial piston pumps PFR (table A045) and vane pumps PFE (table A005 and A007)

**PVPCX2E**, see section 3, are composed by axial piston pumps PVPC (table A160) and vane pumps PFE (table A005 and A007)

For multiple pumps must be verified that the max torques applied on each single drive shaft and on each single through shaft are not higher than the max allowed limits. In particular, must be considered that the total torque applied to the drive shaft of the first element is the sum of the single torque needed for operating each single pump.



In the figure are shown:

M1, M2, M3, = torque needed to operate each single pump (obtainable from "torque versus pressure diagram" of each single pump).

$L_{DS1}$ ,  $L_{DS2}$ ,  $L_{DS3}$  = limits of torque for drive shafts;

$L_{TS1}$ ,  $L_{TS2}$  = limits of torque at the end of through shafts.

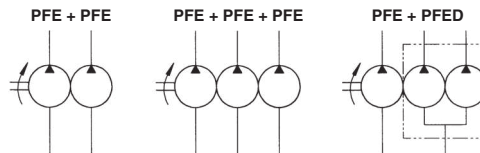
The values of torque needed to operate each single pump and the allowed limit torque values for drive shafts and through shafts are shown on technical tables of individual basic pumps.

**For multiple pumps, the following verifications must be executed:**

- $M3 \leq L_{TS2}$
- $M3 + M2 \leq L_{DS2}$
- $M3 + M2 \leq L_{TS1}$
- $M3 + M2 + M1 \leq L_{DS1}$

## 1 PFEX2, PFEX3, PFEXD MULTIPLE VANE PUMPS

PFEX\* are fixed displacement multiple vane pumps. They can be double (composed by two pumps type PFE) or triple pumps (composed by three PFE or by one PFE and one PFED).



For technical characteristics of PFE-\*1 pumps, see tab. A005; for technical characteristics of PFE-\*2 see tab. A007; for technical characteristics of PFED pumps, see tab. A180.

### 1.1 MODEL CODE FOR PFEX\*

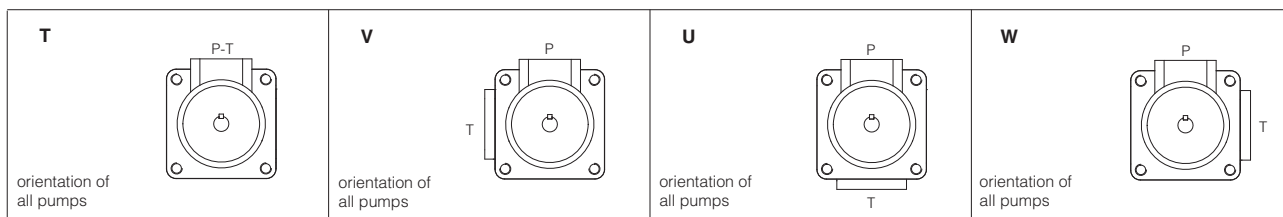
<b>PFEX</b>	<b>2</b>	-	<b>42</b>	<b>045</b>	/	<b>31028</b>	/	<b>3</b>	<b>D</b>	<b>T</b>	<b>*</b>	/	<b>*</b>
Fixed displacement multiple vane pump											Series number		Seals material: omit for NBR (mineral oil & water glycol) <b>PE</b> = FPM
<b>2</b> = double pump composed of two pumps type PFE <b>3</b> = triple pump composed of three pumps type PFE <b>D</b> = triple pump composed of one pump type PFE and one pump type PFED Pumps are assembled in decreasing order of size													
Size of first pump: <b>31, 41, 51, 32, 42, 52</b>													
Displacement of first pump [cm <sup>3</sup> /rev] for PFE 31: 010, 016, 022, 028, 036, 044 for PFE 41: 029, 037, 045, 056, 070, 085 for PFE 51: 090, 110, 129, 150 for PFE 32: 016, 022, 028, 036, for PFE 42: 045, 056, 070, 085 for PFE 52: 090, 110, 129, 150													
Size and displacement [cm <sup>3</sup> /rev] of second (and third) pump													
Note: multiple pumps are supplied with inlet and outlet ports in line. Ports orientation can be easily changed by rotating the pump body that carries inlet port.													
									Direction of rotation (as viewed at the shaft end): <b>D</b> = clockwise (supplied standard if not otherwise specified) <b>S</b> = counterclockwise Note: PFE are not reversible				
									Drive shaft cylindrical keyed: <b>1</b> = (only for PFE-31, 41, 51) standard <b>2</b> = (only for PFE-41 and PFE-51) according to ISO/DIN 3019 <b>3</b> = for high torque applications  splined <b>5</b> = standard <b>6</b> = for high torque applications for PFEX*-3 according to SAE B 16/32 DP, 13 teeth; for PFEX*-4 according to SAE C 12/24 DP, 14 teeth;				

## 1.2 PORT ORIENTATION

### -PFEX2, PFEX3

Pumps can be supplied with oil ports oriented in different configurations viewed from shaft end, as below indicated. In PFEX2 and PFEX3 multiple pumps, the port orientation is the same for first, second (third) pumps.

Model code example: PFEX2-42045/41037/5DT



P1 outlet port ; T1 inlet port

### -PFEXD

Pumps can be supplied with oil ports oriented in different configurations viewed from shaft end, as below indicated..

In PFEXD, the ports orientation of second / third pump (PFED), can be selected according following table.

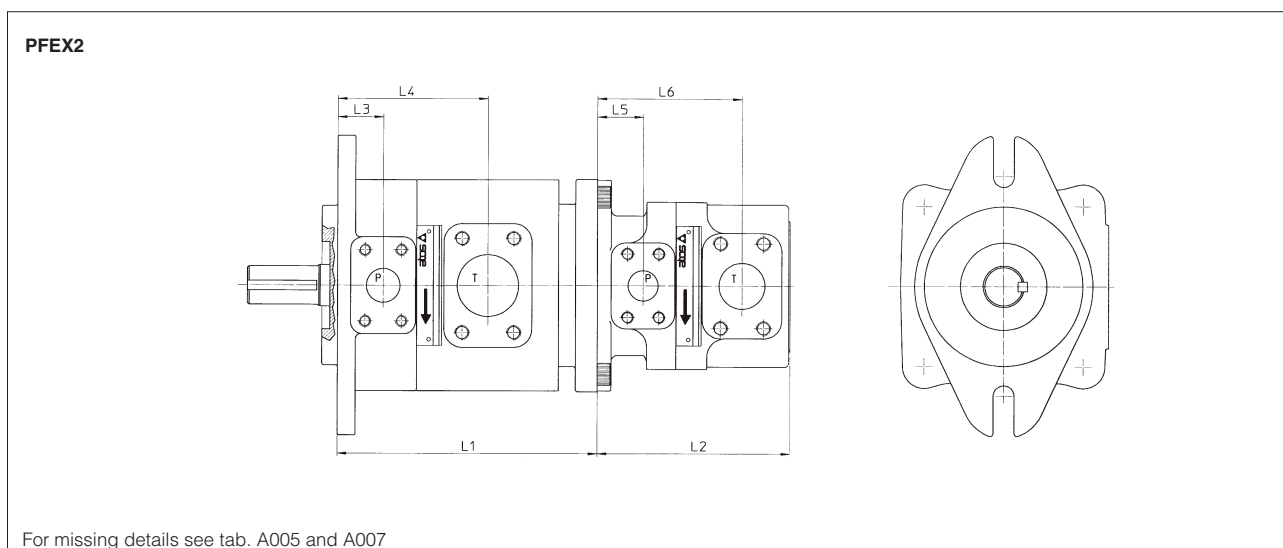
The ports orientation of first pump depends to the selected orientation of second / third pumps.

Model code example: PFEXD-42045/43037/016/5D0

1 <sup>st</sup> PUMP PFEX*	2 <sup>nd</sup> / 3 <sup>th</sup> PUMP PFED*							
	<b>TO</b>	<b>TA</b>	<b>TB</b>	<b>TC</b>	<b>TD</b>	<b>TE</b>	<b>TF</b>	<b>TG</b>
	<b>WO</b>	<b>WA</b>	<b>WB</b>	<b>WC</b>	<b>WD</b>	<b>WE</b>	<b>WF</b>	<b>WG</b>
	<b>UO</b>	<b>UA</b>	<b>UB</b>	<b>UC</b>	<b>UD</b>	<b>UE</b>	<b>UF</b>	<b>UG</b>
	<b>VO</b>	<b>VA</b>	<b>VB</b>	<b>VC</b>	<b>VD</b>	<b>VE</b>	<b>VF</b>	<b>VG</b>

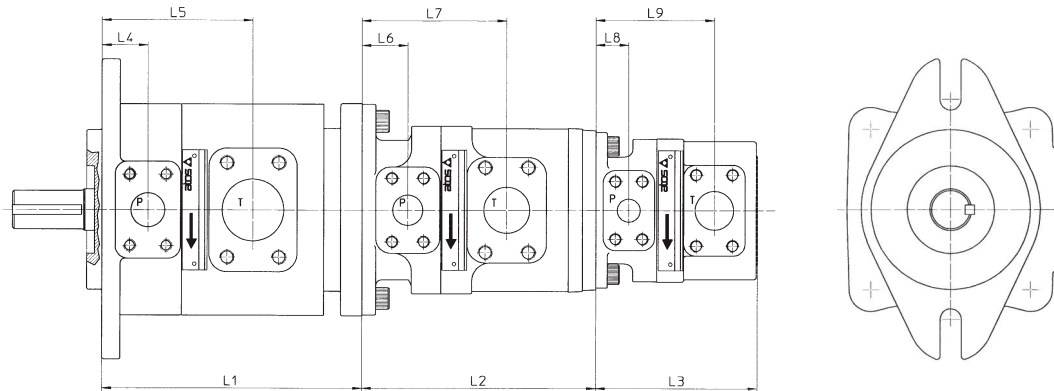
P1 outlet port of first element; P2 outlet port of second element; P3 outlet port of third element; T1 inlet port of first element; T2 inlet port of second element

## 1.3 DIMENSIONS OF MULTIPLE PUMPS TYPE PFEX2, PFEX3, PFEXD [mm]



Composed pump	First element	Second element	L1	L2	L3	L4	L5	L6
PFEX2-32***/31***/*	PFEXA-32***/*	PFE-31***/5	164	134,5	27,5	98,5	27,5	98,5
PFEX2-42***/31***/*	PFEXA7-42***/*	PFE-31***/7	194	134,5	38	120	27,5	98,5
PFEX2-42***/41***/*	PFEXB7-42***/*	PFE-41***/7	203	160	38	120	38	120
PFEX2-52***/31***/*	PFEXA7-52***/*	PFE-31***/7	206	134,5	38	125	27,5	98,5
PFEX2-52***/41***/*	PFEXB7-52***/*	PFE-41***/7	215,5	160	38	125	38	120
PFEX2-52***/51***/*	PFEXC-52***/*	PFE-51***/5	230	186,5	38	125	38	125

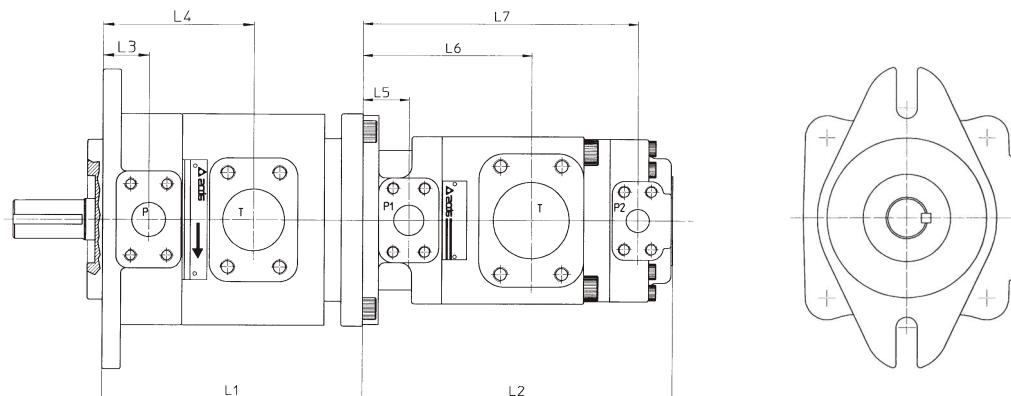
**PFEX3**



For missing details see tab. A005 and A007

Composed pump	First elem.	Second elem.	Third elem.	L1	L2	L3	L4	L5	L6	L7	L8	L9
PFEX3-32***/31***/31***/*	PFEXA-32***/*	PFEXA-31***/5	PFE-31***/5	164	164	134,5	27,4	98,5	27,4	98,5	24,7	98,5
PFEX3-42***/31***/31***/*	PFEXA7-42***/*	PFEXA-31***/7	PFE-31***/5	203	164	134,5	38	120	27,4	98,5	24,7	98,5
PFEX3-42***/41***/31***/*	PFEXB7-42***/*	PFEXA7-41***/7	PFE-31***/7	203	194	134,5	38	120	38	120	24,7	98,5
PFEX3-42***/41***/41***/*	PFEXB7-42***/*	PFEXB7-41***/7	PFE-41***/7	203	203	160	38	120	38	120	38	120
PFEX3-52***/31***/31***/*	PFEXA7-52***/*	PFEXA-31***/7	PFE-41***/5	206	164	134,5	38	125	24,7	98,5	24,7	98,5
PFEX3-52***/41***/31***/*	PFEXB7-52***/*	PFEXA7-41***/7	PFE-31***/7	215,5	194	134,5	38	125	38	120	24,7	98,5
PFEX3-52***/41***/41***/*	PFEXB7-52***/*	PFEXB7-41***/7	PFE-41***/7	215,5	203	160	38	125	38	120	38	120
PFEX3-52***/51***/31***/*	PFEXC-52***/*	PFEXA7-51***/5	PFE-31***/7	230	206	134,5	38	125	38	125	24,7	98,5
PFEX3-52***/51***/41***/*	PFEXC-52***/*	PFEXB7-51***/5	PFE-41***/7	230	206	160	38	125	38	125	38	120
PFEX3-52***/51***/51***/*	PFEXC-52***/*	PFEXC-51***/5	PFE-51***/5	230	230	186,5	38	125	38	125	38	125

**PFEXD**

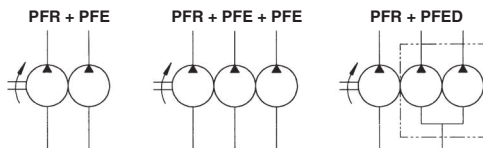


For missing details see tab. A005 and A007, A180

Composed pump	First element	Second element	L1	L2	L3	L4	L5	L6	L7
PFEXD-42***/43***/0**	PFEXB7-42***	PFED-43***/0**/7	203	256	38	120	38	139,6	227,7
PFEXD-52***/43***/0**	PFEXB7-52***	PFED-43***/0**/7	215,5	256	38	125	38	199,6	227,7
PFEXD-52***/54***/0**	PFEXC-52***	PFED-54***/0**/5	230	288	38	125	38	152,3	261,8

**2 PFRX2E, PFRX3E, PFRXDE MULTIPLE RADIAL PISTON/VANE PUMPS**

PFRX\*E are fixed displacement multiple piston/vane pumps. They can be double (composed by one pump type PFR and one pump type PFE) or triple pumps (composed by one pump type PFR and one pump type PFE or by one PFR and one PFED).



For technical characteristics of PFR pumps see tab. A045, for technical characteristics of PFE-1\* pumps see tab. A005; for technical characteristics of PFE-\*2 see tab. A007, for technical characteristics of PFED pumps, see tab. A180.

**2.1 MODEL CODE FOR PFRX\*E**

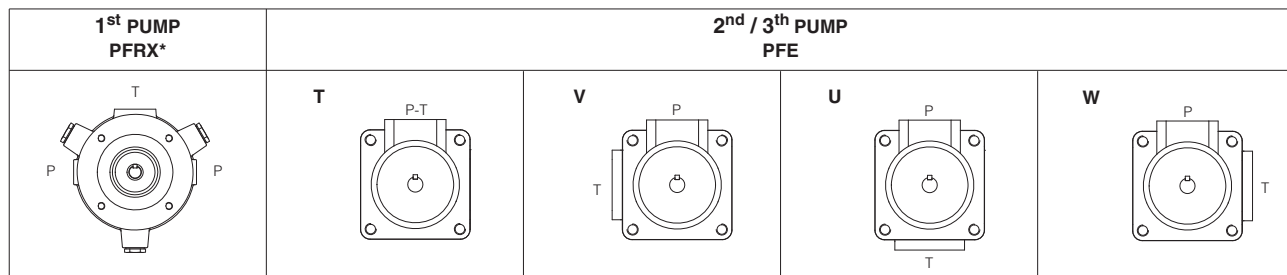
<b>PFRX</b>	<b>2E</b>	-	<b>5</b>	<b>25</b>	/	<b>31044</b>	/	<b>D</b>	<b>*</b>	<b>*</b>	/	<b>*</b>
Multiple fixed displacement piston/vane pump										Series number		Seals material: omit for NBR (mineral oil & water glycol) <b>PE</b> = FPM
Composition: <b>2E</b> = double: PFR + PFE <b>3E</b> = triple: PFR + PFE <b>DE</b> = triple: PFR + PFED The pumps are assembled in decreasing order of size.											Port orientation, see section 2.2	
Size of first pump type PFR: <b>3, 5</b>									Direction of rotation (as viewed at the shaft end): <b>D</b> = clockwise (supplied standard if not otherwise specified) <b>S</b> = counter clockwise Note: PFRX*E are not reversible			
Displacement of first pump type PFR [cm³/rev] for PFR-3: <b>08, 11, 15</b> for PFR-5: <b>18, 25</b>						Size and displacement [cm³/rev] of PFE second (and third) pump for PFE 31: 010, 016, 022, 028, 036, 044 for PFE 41: 029, 037, 045, 056, 070, 085 for PFE 51: 090, 110, 129, 150 for PFE 32: 016, 022, 028, 036 for PFE 42: 045, 056, 070, 085 for PFE 52: 090, 110, 129, 150						

**2.2 PORT ORIENTATION**

**-PFRX2E, PFRX3E**

Pumps can be supplied with oil ports oriented in different configurations viewed from shaft end, as below indicated. Referred to the first element (PFRX\*), in second / third pumps the ports can be oriented as indicated in the picture. The third element is always oriented as the second element.

Model code example: PFRX2E-525/31044/DT

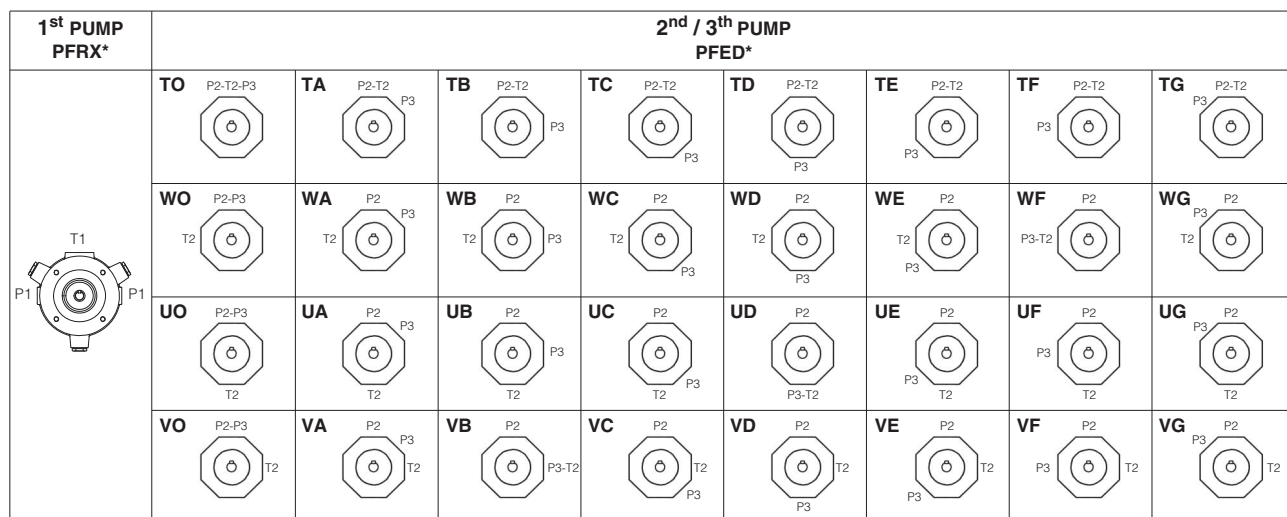


P1 outlet port ; T1 inlet port

**-PFRXDE**

Pumps can be supplied with oil ports oriented in different configurations viewed from shaft end, as below indicated. In PFRXDE, can be select the orientation of second / third pump (PFED)

Model code example: PFRXDE-525/43045/022/DTO



P1 outlet port of first element; P2 outlet port of second element; P3 outlet port of third element; T1 inlet port of first element; T2 inlet port of second element

**2.3 OPERATING CHARACTERISTICS OF STANDARD DOUBLE PUMPS TYPE PFRX2E**  
(at 1450 rpm and based on mineral oil ISO VG46 at 50° C)

Standard model (1)	Speed range [rpm] (2)	RADIAL PISTON PUMP			VANE PUMP			Total flow [l/min]
		Displacement [cm <sup>3</sup> /rev]	Flow [l/min] (3)	Max pressure [bar] (4)	Displacement [cm <sup>3</sup> /rev]	Flow [l/min] (3)	Max pressure [bar] (5)	
PFRX2E-308/31010	600-1800	8	12,6	350	10,5	15	160	27,6
PFRX2E-308/31016					16,5	23		35,6
PFRX2E-308/31022					21,6	30		42,6
PFRX2E-308/31028					28,1	40		52,6
PFRX2E-308/31036					36,5	51		63,6
PFRX2E-308/31044					43,7	63		75,6
PFRX2E-308/41029					29,3	41		53,6
PFRX2E-308/41037					36,6	52		64,6
PFRX2E-308/41045					45	64		76,6
PFRX2E-308/41056					55,8	80		92,6
PFRX2E-308/41070					69,9	101		113,6
PFRX2E-308/41085					85,3	124		136,6
PFRX2E-308/51090					90	128		140,6
PFRX2E-308/51110					109,6	157		169,6
PFRX2E-308/51129					129,2	186		198,6
PFRX2E-311/31044					11,4	16,5		350
PFRX2E-311/41070		69,9	101	117,5				
PFRX2E-311/41085		85,3	124	140,5				
PFRX2E-311/51110		109,6	157	173,5				
PFRX2E-311/51129		129,2	186	202,5				
PFRX2E-315/41056		14,7	21,5	350	55,8	80		101,5
PFRX2E-315/41070					69,9	101		122,5
PFRX2E-315/51110					109,6	157		178,5
PFRX2E-315/51129					129,2	186		207,5
PFRX2E-518/31044		18,1	26	350	43,7	63		89
PFRX2E-518/41070					69,9	101		127
PFRX2E-518/41085					85,3	124		150
PFRX2E-518/51110					109,6	157		183
PFRX2E-518/51129		129,2	186	212				
PFRX2E-525/41070		25,4	37	350	69,9	101		138
PFRX2E-525/51110					109,6	157		194
PFRX2E-525/51129					129,2	186		233

- (1) Further composition of PFR and PFE double pumps are available on request. Other composition of PFRX2E must subject to verification of max torque limits allowed by the drive shafts of PFR and PFE and by the through shaft of PFR (320 Nm).  
(2) Max speed is 1800 rpm for /PE versions; 1000 rpm for water glycol fluid  
(3) Flow rate and power consumption are proportional to revolution speed  
(4) Max pressure is 250 bar for /PE versions, 175 bar for water glycol fluid  
(5) Max pressure is 160 bar for /PE and water glycol fluid.

The shaft of the PFR pump has an eccentric cam which rotates with the shaft generating the stroke of the pistons and thus generating the flow rate. For best functioning a balanced coupling should be provided between the shaft of the motor and the shaft of the pump.  
See tab. A045

**2.4 TRIPLE PUMPS TYPE PFRX3E AND PFRXDE**

Many triple pump compositions PFRX3E = PFR + PFEX2 or PFRXDE = PFR + PFED can be realized but they must be subject to verification of max torque-limits allowed by drive shaft and through shaft of each individual basic pump according to description of first page.

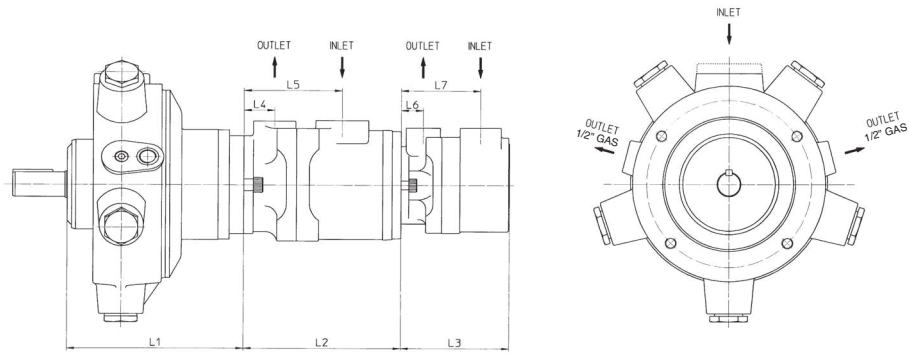
**2.5 DIMENSIONS OF MULTIPLE PUMPS TYPE PFRX2, PFRX3, PFRXD [mm]**

**PFRX2E**

For missing details see tab. A045, A005 and A007

Composed pump	First element - piston pump -	Second element - vane pump -	L1	L2	L3	L4
PFRX2E-3**/31***	PFRXA-3**	PFE-31***	200	134,5	27,5	98,5
PFRX2E-3**/41***	PFRXB-3**	PFE-41***	209	160	38	120
PFRX2E-3**/51***	PFRXC-3**	PFE-51***	224	186,5	38	125
PFRX2E-5**/31***	PFRXA-5**	PFE-31***	210	134,5	27,5	98,5
PFRX2E-5**/41***	PFRXB-5**	PFE-41***	219,5	160	38	120
PFRX2E-5**/51***	PFRXC-5**	PFE-51***	234	134,5	38	125

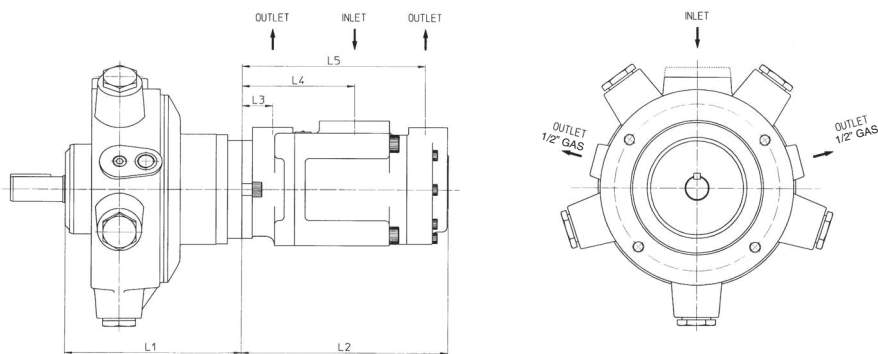
**PFRX3E**



For missing details see tab. A045, A005 and A007

Composed pump	First element - piston pump -	Second element - vane pump -	Third element - vane pump -	L1	L2	L3	L4	L5	L6	L7
PFRX3E-3**/31**/31***	PFRXA-3**	PFEXA-31***	PFE-31***	200	164	134,5	27,5	98,5	27,5	98,5
PFRX3E-3**/41***/31***	PFRXB-3**	PFEXA-41***	PFE-31***	209	194	134,5	38	120	27,5	98,5
PFRX3E-3**/41***/41***	PFRXB-3**	PFEXB-41***	PFE-41***	209	203	160	38	120	38	120
PFRX3E-3**/51***/31***	PFRXC-3**	PFEXA-51***	PFE-31***	224	206	134,5	38	125	27,5	98,5
PFRX3E-3**/51***/41***	PFRXC-3**	PFEXB-51***	PFE-41***	224	215,5	160	38	125	38	120
PFRX3E-3**/51***/51***	PFRXC-3**	PFEXC-51***	PFE-51***	224	230	186,5	38	125	38	125
PFRX3E-5**/31***/31***	PFRXA-5**	PFEXA-31***	PFE-31***	210	164	134,5	27,5	98,5	27,5	98,5
PFRX3E-5**/41***/31***	PFRXB-5**	PFEXA-41***	PFE-31***	219,5	194	134,5	38	120	27,5	98,5
PFRX3E-5**/41***/41***	PFRXB-5**	PFEXB-41***	PFE-41***	219,5	203	160	38	120	38	120
PFRX3E-5**/51***/31***	PFRXC-5**	PFEXA-51***	PFE-31***	234	206	134,5	38	125	27,5	98,5
PFRX3E-5**/51***/41***	PFRXC-5**	PFEXB-51***	PFE-41***	234	215,5	160	38	125	38	120
PFRX3E-5**/51***/51***	PFRXC-5**	PFEXC-51***	PFE-51***	234	230	186,5	38	125	38	125

**PFRXDE**



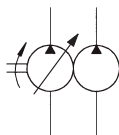
For missing details see tab. A045 and A180

Composed pump	First element - piston pump -	Second element - vane pump -	L1	L2	L3	L4	L5
PFRXDE-3**/43***/0**	PFRXB-3**	PFED-43***/0**	209	256,5	38	139,6	227,7
PFRXDE-3**/54***/0**	PFRXC-3**	PFED-54***/0**	224	288	38	152,3	261,8
PFRXDE-5**/43***/0**	PFRXB-5**	PFED-43***/0**	219,5	256,5	38	139,6	227,7
PFRXDE-5**/54***/0**	PFRXC-5**	PFED-54***/0**	234	288	38	152,3	261,8

PFRX\*E pumps are supplied with WFA-32 inlet flange for PFR, and set of inlet, outlet flanges for PFE or PFED;

### 3 PVPCX2E MULTIPLE AXIAL PISTON/VANE PUMPS

PVPCX2E are double pumps composed by one variable displacement axial piston pump type PVPC and one vane pump type PFE. They have two separated inlet ports and two separated outlet ports.



For technical characteristics of PVPC pumps, see tab. A160; for technical characteristics of PFE pumps see tab. A005 and A007.

#### 3.1 MODEL CODE FOR PVPCX2E with standard hydraulic controls

<b>PVPC</b>	<b>X2E</b>	-	<b>C</b>	-	<b>4</b>		<b>046</b>	/	<b>31044</b>	/	<b>1</b>	<b>D</b>	<b>X</b>	<b>24DC</b>	<b>10</b>	/	<b>*</b>
Variable displacement axial piston pump																	
<b>X2E</b> = coupled with a fixed displacement pump type PFE (see tab. A005)																	
Type of control: <b>C</b> = manual pressure compensator <b>CH</b> = manual pressure compensator, with venting <b>R</b> = remote pressure compensator <b>L</b> = load sensing (pressure & flow) <b>LW</b> = constant power (combined pressure & flow)																	
Size: <b>3</b> = for displacement 029 <b>4</b> = for displacement 046 <b>5</b> = for displacement 073 and 090																	
Max displacement of axial piston pump: <b>029</b> = 29 cm <sup>3</sup> /rev <b>073</b> = 73 cm <sup>3</sup> /rev <b>046</b> = 46 cm <sup>3</sup> /rev <b>090</b> = 88 cm <sup>3</sup> /rev																	
Size and displacement [cm <sup>3</sup> /rev] of PFE second (and third) pump for <b>PFE 31</b> : 010, 016, 022, 028, 036, 044    for <b>PFE 32</b> : 016, 022, 028, 036 for <b>PFE 41</b> : 029, 037, 045, 056, 070, 085    for <b>PFE 42</b> : 045, 056, 070, 085 for <b>PFE 51</b> : 090, 110, 129, 150                for <b>PFE 52</b> : 090, 110, 129, 150																	
Seals material: - = NBR <b>PE</b> = FKM See notes under sect. 2																	
Series number																	
Supply voltage:      24/50 AC 12 DC                    110/50 AC 24 DC                    220/50 AC																	
<b>X</b> = without connector																	
Direction of rotation (viewed at the shaft end) <b>D</b> = clockwise <b>S</b> = counterclockwise																	
Shaft (SAE Standard): <b>1</b> = keyed (7/8" for 029 - 1" for 046 - 1 1/4" for 073 and 090) <b>5</b> = splined (13 teeth for 029 - 15 for 046 - 14 for 073 and 090)																	

#### 3.2 MODEL CODE FOR PVPCX2E with electrohydraulic proportional controls

<b>PVPC</b>	<b>X2E</b>	-	<b>PERS</b>	-	<b>SP</b>	-	<b>BC</b>	-	<b>4</b>		<b>046</b>	/	<b>31044</b>	/	<b>*</b>	/	<b>1</b>	<b>D</b>	/	<b>18</b>	<b>10</b>	/	<b>*</b>
Variable displacement axial piston pump																							
<b>X2E</b> = coupled with a fixed displacement pump type PFE (see tab. A005)																							
Type of control (see section 5, 6 and 7): <b>CZ</b> = proportional pressure compensator <b>LQZ</b> = proportional flow control (load sensing) <b>LZQZ</b> = proportional pressure & flow control (load sensing) <b>LZQZR</b> = as LZQZ plus sequence module <b>PES-SP</b> = closed loop integral digital P/Q driver <b>PERS-SP</b> = as PES plus sequence module																							
<b>Fieldbus interfaces</b> for PES and PERS: USB interface always present <b>NP</b> = Not present <b>BP</b> = PROFIBUS DP <b>BC</b> = CANopen <b>EH</b> = EtherCAT																							
Size: <b>3</b> = for displacement 029 <b>4</b> = for displacement 046 <b>5</b> = for displacement 073 and 090																							
Max displacement of axial piston pump: <b>029</b> = 29 cm <sup>3</sup> /rev <b>046</b> = 46 cm <sup>3</sup> /rev <b>073</b> = 73 cm <sup>3</sup> /rev <b>090</b> = 88 cm <sup>3</sup> /rev																							
Size and displacement [cm <sup>3</sup> /rev] of PFE second (and third) pump for <b>PFE 31</b> : 010, 016, 022, 028, 036, 044    for <b>PFE 32</b> : 016, 022, 028, 036 for <b>PFE 41</b> : 029, 037, 045, 056, 070, 085    for <b>PFE 42</b> : 045, 056, 070, 085 for <b>PFE 51</b> : 090, 110, 129, 150                for <b>PFE 52</b> : 090, 110, 129, 150																							
Seals material: - = NBR <b>PE</b> = FKM See notes under sect. 2																							
Series number																							
<b>Options, see sections 4 and 7:</b> <b>18</b> = with 18 VDC coil instead of standard 12 VDC coil (only for CZ, LQZ, LZQZ) <b>for versions PES and PERS:</b> <b>C</b> = current feedback for pressure transducer 4÷20 mA <b>I</b> = current reference input and monitor 4÷20 mA (omit for standard voltage reference input and monitor ±10 V) <b>X</b> = with integral pressure transducer (only for PERS) <b>S</b> = with two on-off inputs for multiple pressure PID selection (NP execution) or double power supply (BC, BP and EH execution).																							
Direction of rotation (viewed at the shaft end) <b>D</b> = clockwise <b>S</b> = counterclockwise																							
Shaft (SAE Standard): <b>1</b> = keyed (7/8" for 029 - 1" for 046 - 1 1/4" for 073 and 090) <b>5</b> = splined (13 teeth for 029 - 15 for 046 - 14 for 073 and 090)																							
Pressure setting (only for PERS): <b>200</b> = 200 bar <b>250</b> = 250 bar <b>280</b> = 280 bar (not available for 090)																							

### 3.3 OPERATING CHARACTERISTICS OF STANDARD DOUBLE PUMPS TYPE PVPCX2E (with PFE-31, 41 and 51)

(at 1450 rpm and based on mineral oil ISO VG46 at 40° C)

Standard model	Speed range [rpm] (1)	AXIAL PISTON PUMP			VANE PUMP			Total flow [l/min]				
		Displacement [cm <sup>3</sup> /rev]	Flow [l/min] (2)	Max pressure [bar] (3)	Displacement [cm <sup>3</sup> /rev]	Flow [l/min] (2)	Max pressure [bar] (4)					
PVPCX2E-*-3029/31010	800-2400	29	42	280/350	10,5	15	210	57				
PVPCX2E-*-3029/31016	800-2800				16,5	23		65				
PVPCX2E-*-3029/31022					21,6	30		72				
PVPCX2E-*-3029/31028					28,1	40		82				
PVPCX2E-*-3029/31036					35,6	51		93				
PVPCX2E-*-3029/31044					43,7	63		105				
PVPCX2E-*-3029/41029	800-2500				29,3	41		83				
PVPCX2E-*-3029/41037					36,6	52		94				
PVPCX2E-*-3029/41045					45,0	64		106				
PVPCX2E-*-3029/41056					55,8	80		122				
PVPCX2E-*-3029/41070					69,9	101		143				
PVPCX2E-*-3029/41085	800-2000				85,3	124		166				
PVPCX2E-*-4046/31010	800-2400				46	66,7		280/350	10,5	15	210	81,7
PVPCX2E-*-4046/31016	800-2600								16,5	23		89,7
PVPCX2E-*-4046/31022									21,6	30		92,7
PVPCX2E-*-4046/31028		28,1	40	102,7								
PVPCX2E-*-4046/31036		35,6	51	113,7								
PVPCX2E-*-4046/31044		43,7	63	129,7								
PVPCX2E-*-4046/41029	800-2500	29,3	41	107,7								
PVPCX2E-*-4046/41037		36,6	52	118,7								
PVPCX2E-*-4046/41045		45,0	64	130,7								
PVPCX2E-*-4046/41056		55,8	80	146,7								
PVPCX2E-*-4046/41070		69,9	101	167,7								
PVPCX2E-*-4046/41085	800-2000	85,3	124	190,7								
PVPCX2E-*-5073/31010	800-2400	73	105,8	280/350			10,5		15	210		120,8
PVPCX2E-*-5073/31016	800-2200						16,5		23			128,8
PVPCX2E-*-5073/31022							21,6		30			135,8
PVPCX2E-*-5073/31028					28,1	40	145,8					
PVPCX2E-*-5073/31036					35,6	51	156,8					
PVPCX2E-*-5073/31044					43,7	63	168,8					
PVPCX2E-*-5073/41029	800-2200				29,3	41	146,8					
PVPCX2E-*-5073/41037					36,6	52	157,8					
PVPCX2E-*-5073/41045					45,0	64	169,8					
PVPCX2E-*-5073/41056					55,8	80	185,8					
PVPCX2E-*-5073/41070					69,9	101	206,8					
PVPCX2E-*-5073/41085	800-2000				85,3	124	229,8					
PVPCX2E-*-5073/51090	800-2200				90,0	128	233,8					
PVPCX2E-*-5073/51110					109,6	157	262,8					
PVPCX2E-*-5073/51129					129,2	186	291,8					
PVPCX2E-*-5073/51150	800-1800	150,2	215	320,8								
PVPCX2E-*-5090/31010	800-2400	88	127,6	250/315	10,5	15	210	142,6				
PVPCX2E-*-5090/31016	800-2200				16,5	23		150,6				
PVPCX2E-*-5090/31022					21,6	30		157,6				
PVPCX2E-*-5090/31028					28,1	40		167,6				
PVPCX2E-*-5090/31036					35,6	51		178,6				
PVPCX2E-*-5090/31044					43,7	63		190,6				
PVPCX2E-*-5090/41029	800-2200				29,3	41		168,6				
PVPCX2E-*-5090/41037					36,6	52		179,6				
PVPCX2E-*-5090/41045					45,0	64		191,6				
PVPCX2E-*-5090/41056					55,8	80		207,6				
PVPCX2E-*-5090/41070					69,9	101		228,6				
PVPCX2E-*-5090/41085	800-2000				85,3	124		251,6				
PVPCX2E-*-5090/51090	800-2200				90,0	128		255,6				
PVPCX2E-*-5090/51110					109,6	157		284,6				
PVPCX2E-*-5090/51129					129,2	186		313,6				
PVPCX2E-*-5090/51150	800-1800	150,2	215	342,6								

(1) Max speed is 1800 rpm for /PE versions; 1000 rpm for water glycol fluid

(2) Flow rate and power consumption are proportional to revolution speed

(3) Max pressure is 190 bar for /PE versions, 160 bar for water glycol fluid

(4) Max pressure is 160 bar for /PE and water glycol fluid



### 3.4 OPERATING CHARACTERISTICS OF STANDARD DOUBLE PUMPS TYPE PVPCX2E (with PFE-32, 42 and 52)

(at 1450 rpm and based on mineral oil ISO VG46 at 40° C)

Standard model	Speed range [rpm] (1)	AXIAL PISTON PUMP			VANE PUMP			Total flow [l/min]
		Displacement [cm <sup>3</sup> /rev]	Flow [l/min] (2)	Max pressure [bar] (3)	Displacement [cm <sup>3</sup> /rev]	Flow [l/min] (2)	Max pressure [bar] (4)	
PVPCX2E*-3029/32016	1200-2500	29	42	280/350	16,5	23	210	65
PVPCX2E*-3029/32022					21,6	30	300	72
PVPCX2E*-3029/32028					28,1	40		82
PVPCX2E*-3029/32036					35,6	51		93
PVPCX2E*-3029/42045	1000-2200	29	42	280/350	45,0	64	280	106
PVPCX2E*-3029/42056					55,8	80		122
PVPCX2E*-3029/42070					69,9	101		143
PVPCX2E*-3029/42085	800-2000				85,3	124		166
PVPCX2E*-4046/32016	1200-2500	46	66,7	280/350	16,5	23	210	89,7
PVPCX2E*-4046/32022					21,6	30	300	92,7
PVPCX2E*-4046/32028					28,1	40		102,7
PVPCX2E*-4046/32036					35,6	51		113,7
PVPCX2E*-4046/42045	1000-2200	46	66,7	280/350	45,0	64	280	130,7
PVPCX2E*-4046/42056					55,8	80		146,7
PVPCX2E*-4046/42070					69,9	101		167,7
PVPCX2E*-4046/42085	800-2000				85,3	124		190,7
PVPCX2E*-5073/32016	1200-2500	73	105,8	280/350	16,5	23	210	128,8
PVPCX2E*-5073/32022					21,6	30	300	135,8
PVPCX2E*-5073/32028					28,1	40		145,8
PVPCX2E*-5073/32036					35,6	51		156,8
PVPCX2E*-5073/42045	1000-2200	73	105,8	280/350	45,0	64	280	169,8
PVPCX2E*-5073/42056					55,8	80		185,8
PVPCX2E*-5073/42070					69,9	101		206,8
PVPCX2E*-5073/42085	800-2000				85,3	124		229,8
PVPCX2E*-5073/52090	800-2000	73	105,8	280/350	90,0	128	250	233,8
PVPCX2E*-5073/52110					109,6	157		262,8
PVPCX2E*-5073/52129					129,2	186		291,8
PVPCX2E*-5073/52150	800-1800				150,2	215	210	320,8
PVPCX2E*-5090/32016	1200-1850	88	127,6	280/350	16,5	23	210	150,6
PVPCX2E*-5090/32022					21,6	30	300	157,6
PVPCX2E*-5090/32028					28,1	40		167,6
PVPCX2E*-5090/32036					35,6	51		178,6
PVPCX2E*-5090/42045	1000-1850	88	127,6	280/350	45,0	64	280	191,6
PVPCX2E*-5090/42056					55,8	80		207,6
PVPCX2E*-5090/42070					69,9	101		228,6
PVPCX2E*-5090/42085	800-1850				85,3	124		251,6
PVPCX2E*-5090/52090	1000-1850	88	127,6	280/350	90,0	128	250	255,6
PVPCX2E*-5090/52110					109,6	157		284,6
PVPCX2E*-5090/52129					129,2	186		313,6
PVPCX2E*-5090/52150					150,2	215		210

(1) Max speed is 1800 rpm for /PE versions; 1500 rpm for water glycol fluid

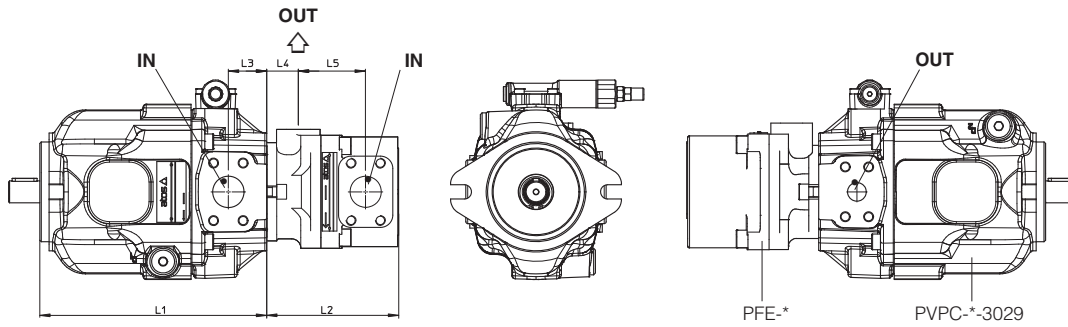
(2) Flow rate and power consumption are proportional to revolution speed

(3) Max pressure is 190 bar for /PE versions, 160 bar for water glycol fluid

(4) Max pressure is 160 bar for /PE and water glycol fluid.

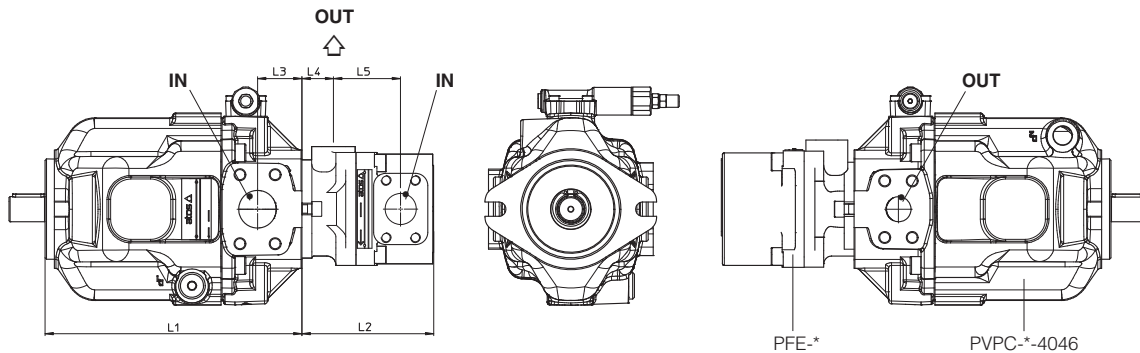
### 3.5 DIMENSIONS OF MULTIPLE PUMPS TYPE PVPCX2E [mm]

#### PVPCX2E-\*-3029



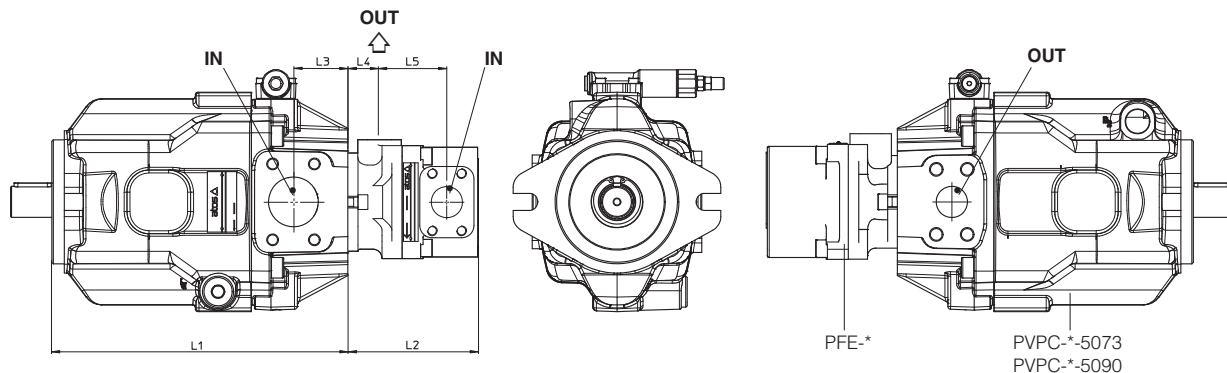
Composed pump	First element - piston pump -	Second element - vane pump -	L1	L2	L3	L4	L5
PVPCX2E-*-3029/3****	PVPCXA-*-3029	PFE-3****	231,2	134,5	39	27,5	71
PVPCX2E-*-3029/4****	PVPCXB-*-3029	PFE-4****	231,2	160	39	38	82

#### PVPCX2E-\*-4046



Composed pump	First element - piston pump -	Second element - vane pump -	L1	L2	L3	L4	L5
PVPCX2E-*-4046/3****	PVPCXA-*-4046	PFE-3****	259	134,5	45	27,5	71
PVPCX2E-*-4046/4****	PVPCXB-*-4046	PFE-4****	259	160	45	38	82

#### PVPCX2E-\*-5073 PVPCX2E-\*-5090



Composed pump	First element - piston pump -	Second element - vane pump -	L1	L2	L3	L4	L5
PVPCX2E-*-5073/3****	PVPCXA-*-5073	PFE-3****	303,6	134,5	55,7	27,5	71
PVPCX2E-*-5073/4****	PVPCXB-*-5073	PFE-4****	303,6	160	55,7	38	82
PVPCX2E-*-5073/5****	PVPCXC-*-5073	PFE-5****	303,6	186,5	55,7	38	87
PVPCX2E-*-5090/3****	PVPCXA-*-5090	PFE-3****	303,6	134,5	55,7	27,5	71
PVPCX2E-*-5090/4****	PVPCXB-*-5090	PFE-4****	303,6	160	55,7	38	82
PVPCX2E-*-5090/5****	PVPCXC-*-5090	PFE-5****	303,6	186,5	55,7	38	87