

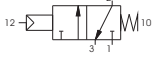
3/2

**Valve  
Pneumatic spring**

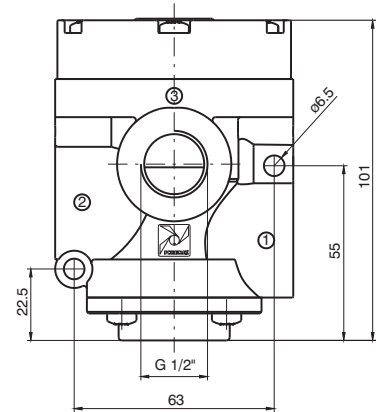
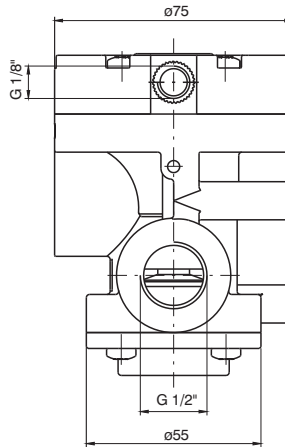
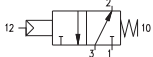
Ordering code

**T772.32.11.1**

Normally closed



Normally open

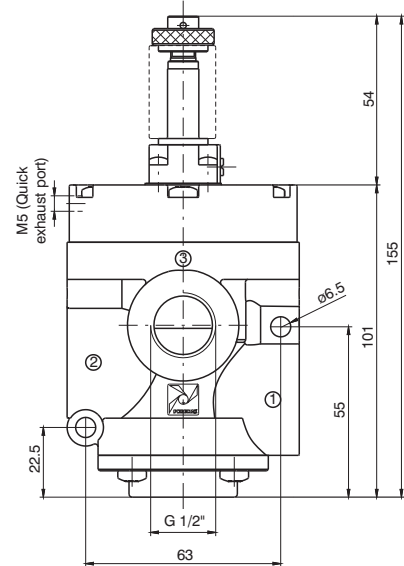
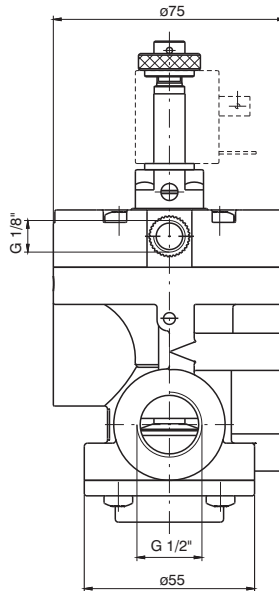


Weight gr. 350

Minimum piloting pressure: see diagram at General page

3/2

**Solenoid valve  
Solenoid spring**



Weight gr. 390

Ordering code

Internal pilot	Servoassisted external pilot	Internal pilot with quick exhaust	Servoassisted external pilot with quick exhaust
<p><b>T772.32.0.1AC.MP</b> Normally closed</p>	<p><b>T772.32.0.1.MP</b> Normally closed</p>	<p><b>T772S.32.0.1AC.MP</b> Normally closed</p>	<p><b>T772S.32.0.1.MP</b> Normally closed</p>
<p><b>T772.32.0.1AA.MP</b> Normally open</p>	<p><b>T772.32.0.1.MP</b> Normally open</p>	<p><b>T772S.32.0.1AA.MP</b> Normally open</p>	<p><b>T772S.32.0.1.MP</b> Normally open</p>
<p>Minimum piloting pressure: 2.5 bar</p>	<p>Minimum piloting pressure: see diagram at General page</p>	<p>Minimum piloting pressure: 2.5 bar</p>	<p>Minimum piloting pressure: see diagram at General page</p>

Operational characteristics	Fluid	Max working pressure	Operating temperature		Flow rate at 6 bar with Δp = 1 bar	Orifice size	Inlet port size	Pilot ports size
	Filtered and lubricated or non lubricated air	10 bar	min. -5° C	max. +50°C	4100 NI/min	mm 15	G 1/2"	G 1/8"

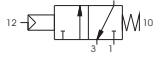
**Valve  
Pneumatic spring**

3/2

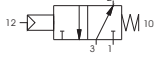
Ordering code

**T772/V.32.11.1**

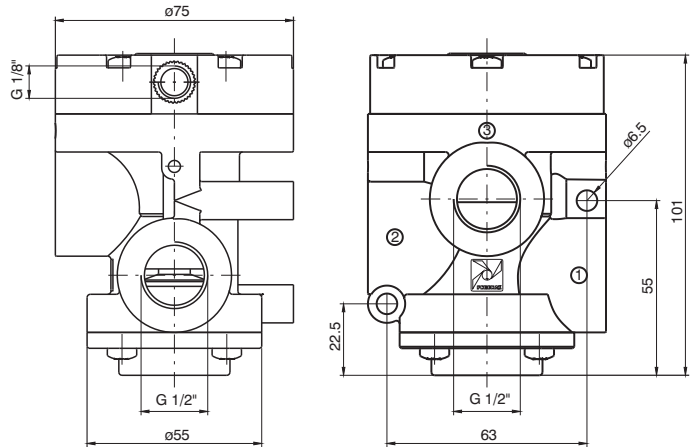
*Normally open*



*Normally closed*



Weight gr. 350



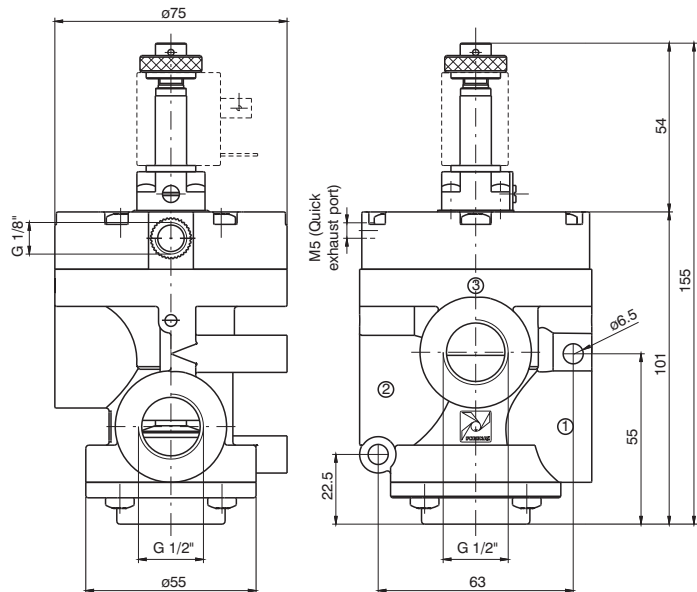
Minimum piloting pressure: 2,5 bar

**Solenoid valve  
Solenoid spring**

3/2



Weight gr. 390



Ordering code

Internal pilot	Servoassisted external pilot	Servoassisted external pilot with quick exhaust
<p><b>T772/V.32.0.1AA.MV</b> <i>Normally open</i></p>	<p><b>T772/V.32.0.1.MP</b> <i>Normally open</i></p>	<p><b>T772/VS.32.0.1.MP</b> <i>Normally open</i></p>
<p><b>T772/V.32.0.1AC.MV</b> <i>Normally closed</i></p>	<p><i>Normally closed</i></p>	<p><i>Normally closed</i></p>

Minimum piloting pressure: 2.5 bar

Operational characteristics	Fluid	Operating temperature		Orifice Size	Inlet port size	Pilot ports size
	Vacuum	min.	max.			
		-5°C	+50°C	mm 15	G 1/2"	G 1/8"

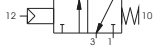
3/2

**Valve  
Pneumatic spring**

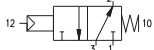
Ordering code

**T773.32.11.1**

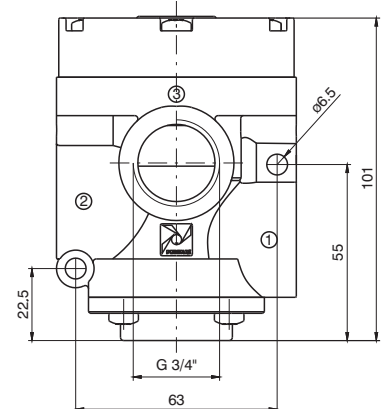
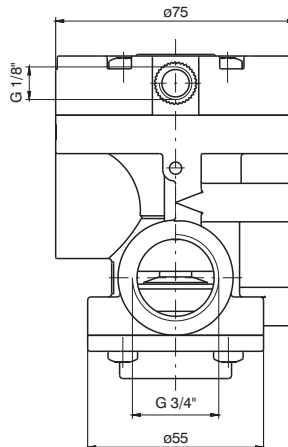
*Normally closed*



*Normally open*



Weight gr. 330



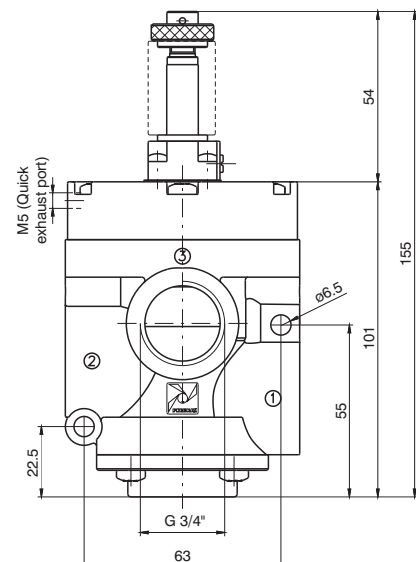
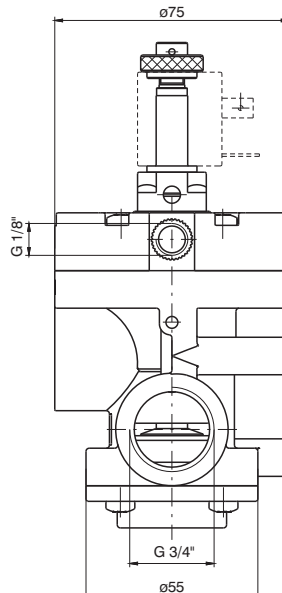
Minimum piloting pressure: see diagram at General page

3/2

**Solenoid valve  
Solenoid spring**



Weight gr. 370



Ordering code

Internal pilot	Servoassisted external pilot	Internal pilot with quick exhaust	Servoassisted external pilot with quick exhaust
<p><b>T773.32.0.1AC.MP</b> <i>Normally closed</i></p>	<p><b>T773.32.0.1.MP</b> <i>Normally closed</i></p>	<p><b>T773S.32.0.1AC.MP</b> <i>Normally closed</i></p>	<p><b>T773S.32.0.1.MP</b> <i>Normally closed</i></p>
<p><b>T773.32.0.1AA.MP</b> <i>Normally open</i></p>	<p><i>Normally open</i></p>	<p><b>T773S.32.0.1AA.MP</b> <i>Normally open</i></p>	<p><i>Normally open</i></p>
<p>Minimum piloting pressure: 2.5 bar</p>	<p>Minimum piloting pressure: see diagram at General page</p>	<p>Minimum piloting pressure: 2.5 bar</p>	<p>Minimum piloting pressure: see diagram at General page</p>

Operational characteristics	Fluid	Max piloting pressure	Operating temperature		Flow rate at 6 bar with Δp = 1 bar	Orifice size	Inlet port size	Pilot ports size
	Filtered and lubricated or non lubricated air	10 bar	min. -5° C	max. +50°C	6400 NI/min	mm 20	G 3/4"	G 1/8"

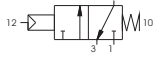
**Valve**  
**Pneumatic spring**

3/2

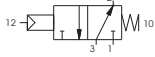
Ordering code

**T773/V.32.11.1**

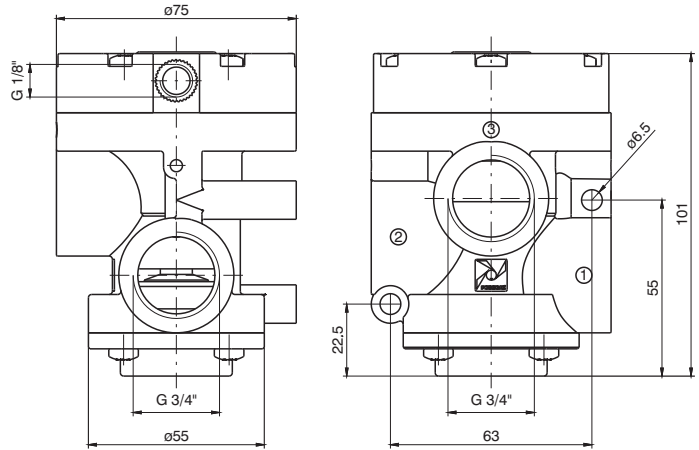
*Normally open*



*Normally closed*



Weight gr. 330



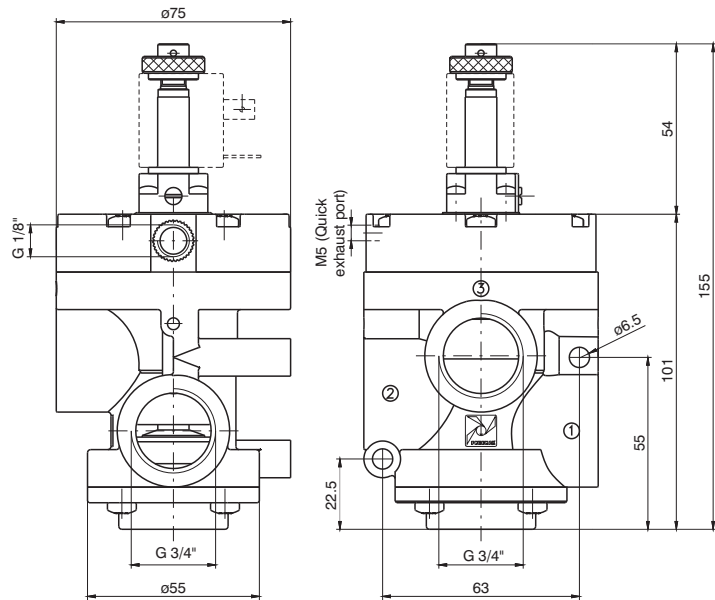
Minimum piloting pressure: 2,5 bar

**Solenoid valve**  
**Solenoid spring**

3/2



Weight gr. 370



Ordering code

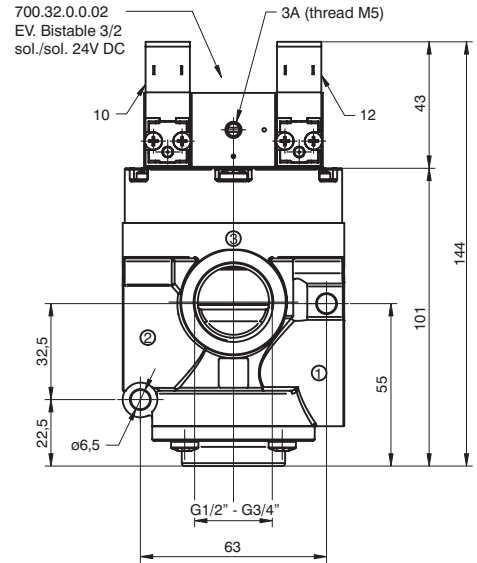
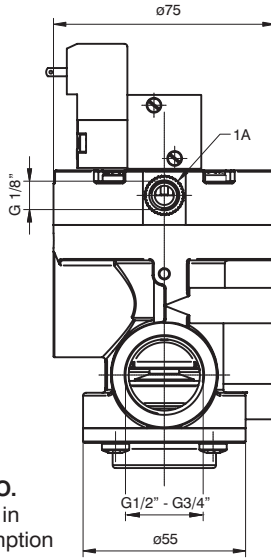
Internal pilot	Servoassisted external pilot	Servoassisted external pilot with quick exhaust
<p><b>T773/V.32.0.1AA.MV</b> <i>Normally open</i></p>	<p><b>T773/V.32.0.1.MP</b> <i>Normally open</i></p>	<p><b>T773/VS.32.0.1.MP</b> <i>Normally open</i></p>
<p><b>T773/V.32.0.1AC.MV</b> <i>Normally closed</i></p>	<p><i>Normally closed</i></p>	<p><i>Normally closed</i></p>

Minimum piloting pressure: 2.5 bar

Operational characteristics	Fluid	Operating temperature		Orifice Size	Inlet port size	Pilot ports size
	Vacuum	min.	max.			
		-5°C	+50°C	mm 20	G 3/4"	G 1/8"

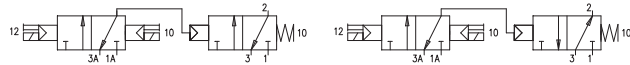
**Bistable version for Compressed air**

3/2



**Air - N.C.**  
 1 = line in  
 2 = consumption  
 1 = exhaust

**Air - N.O.**  
 3 = line in  
 2 = consumption  
 1 = exhaust



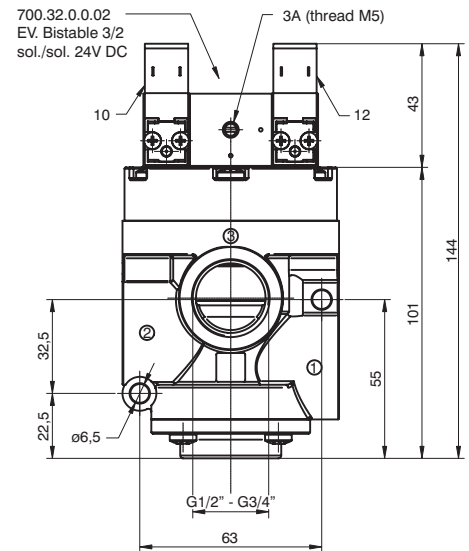
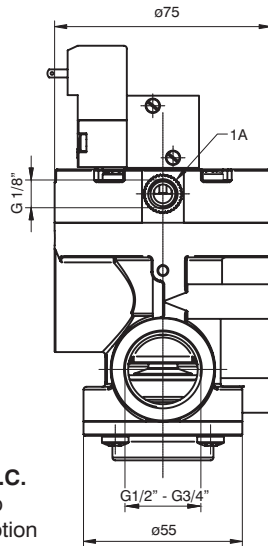
Weight gr. 550

Ordering code

		G 1/2"	G 3/4"	G 1/2" (with quick exhaust)		G 3/4" (with quick exhaust)			
		<b>T772.32.0.1BP</b> Normally closed Normally open	<b>T773.32.0.1BP</b> Normally closed Normally open	<b>T772S.32.0.1BP</b> Normally closed Normally open		<b>T773S.32.0.1BP</b> Normally closed Normally open			
Operational characteristics	Fluid	Max piloting pressure	Min. Pilot pressure	Temperature min.	Temperature max.	Flow rate at 6 bar with $\Delta p = 1$ bar	Orifice Size	piloting port size	Pilot ports size
	Filtered and lubricated or non lubricated air	10 bar	2 bar	-5° C	+50° C	G1/2": 4100 NI/min G3/4": 6400 NI/min	mm 15	G 1/2" G 3/4"	G 1/8"

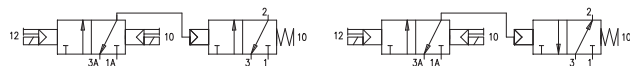
**Bistable version for Vacuum**

3/2



**Vacuum - N.O.**  
 3 = pump  
 2 = consumption  
 1 = exhaust

**Vacuum - N.C.**  
 1 = pump  
 2 = consumption  
 3 = exhaust



Weight gr. 550

Ordering code

		G 1/2"	G 3/4"	G 1/2" (with quick exhaust)		G 3/4" (with quick exhaust)	
		<b>T772/V.32.0.1BP</b> Normally closed Normally open	<b>T773/V.32.0.1BP</b> Normally closed Normally open	<b>T772/VS.32.0.1BP</b> Normally closed Normally open		<b>T773/VS.32.0.1BP</b> Normally closed Normally open	
Operational characteristics	Fluid	Min. Pilot pressure	Temperature min.	Temperature max.	Orifice Size	Inlet port size	Pilot ports size
	Vacuum	2,5 bar	-5° C	+50° C	mm 15	G 1/2" G 3/4"	G 1/8"

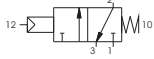
3/2

**Valve  
Pneumatic spring**

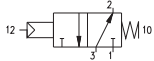
Ordering code

**T771.32.11.1**

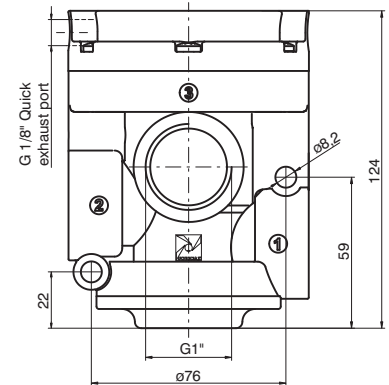
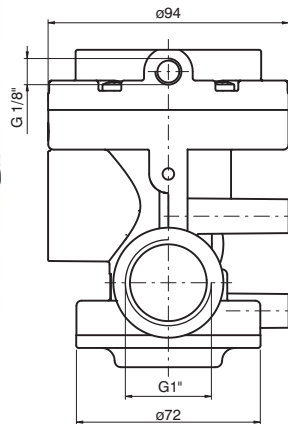
*Normally closed*



*Normally open*



Weight gr. 480



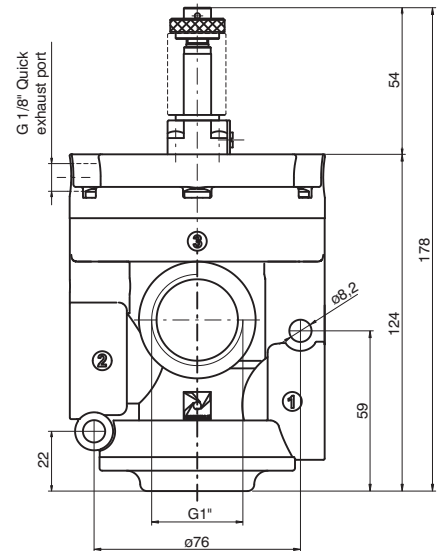
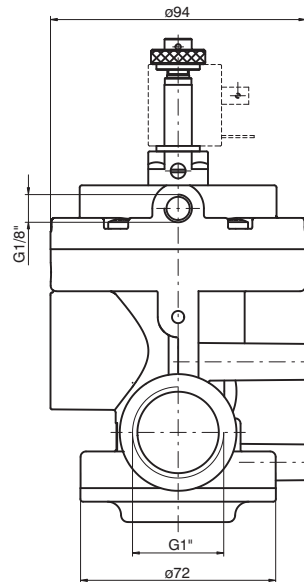
Minimum piloting pressure: see diagram at General page

**Solenoid valve  
Solenoid spring**

3/2



Weight gr. 520



Ordering code

<i>Internal pilot</i>	<i>Servoassisted external pilot</i>	<i>Internal pilot with quick exhaust</i>	<i>Servoassisted external pilot with quick exhaust</i>
<p><b>T771.32.0.1AC.MP</b> <i>Normally closed</i></p>	<p><b>T771.32.0.1.MP</b> <i>Normally closed</i></p>	<p><b>T771S.32.0.1AC.MP</b> <i>Normally closed</i></p>	<p><b>T771S.32.0.1.MP</b> <i>Normally closed</i></p>
<p><b>T771.32.0.1AA.MP</b> <i>Normally open</i></p>	<p><i>Normally open</i></p>	<p><b>T771S.32.0.1AA.MP</b> <i>Normally open</i></p>	<p><i>Normally open</i></p>
<p>Minimum piloting pressure: 2,5 bar</p>	<p>Minimum piloting pressure: see diagram at General page</p>	<p>Minimum piloting pressure: 2,5 bar</p>	<p>Minimum piloting pressure: see diagram at General page</p>

Operational characteristics	Fluid	Max piloting pressure	Operating temperature		Flow rate at 6 bar with Δp = 1 bar	Orifice size	Inlet port size	Pilot ports size
	Filtered and lubricated or non lubricated air	10 bar	min.	max.				
			-5° C	+50° C	12.000 NI/min	mm 25	G 1"	G 1/8"

**Valve  
Pneumatic spring**

3/2

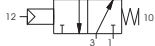
Ordering code

**T771/V.32.11.1**

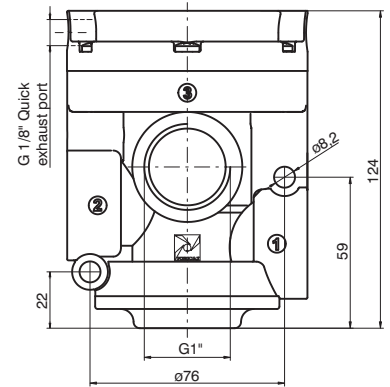
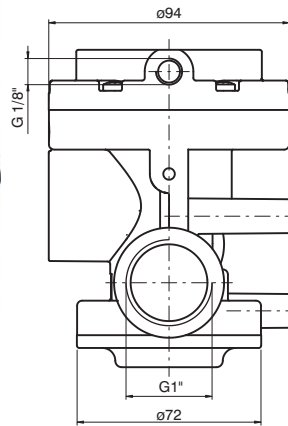
*Normally open*



*Normally closed*



Weight gr. 480



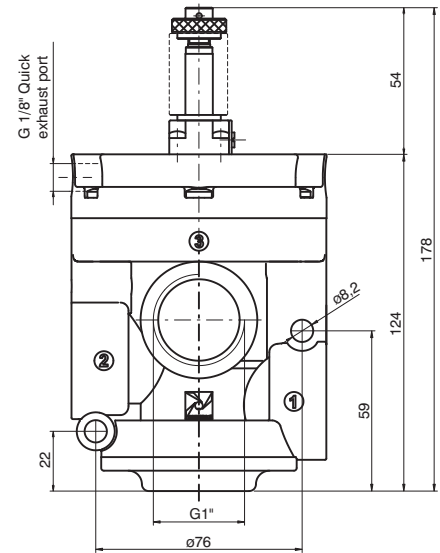
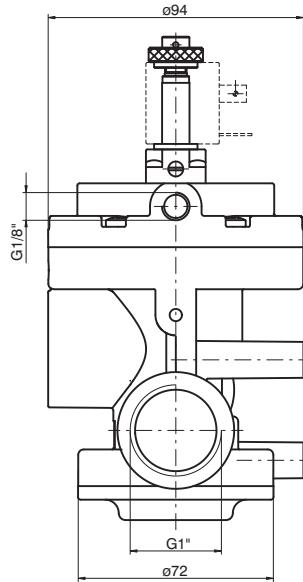
Minimum piloting pressure: 2 bar

**Solenoid valve  
Solenoid spring**

3/2



Weight gr. 520



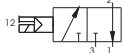
Ordering code

*Internal pilot*

*Servoassisted external pilot*

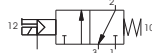
*Servoassisted external pilot  
with quick exhaust*

**T771/V.32.0.1AA.MV**  
*Normally open*



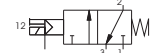
**T771/V.32.0.1.MP**

*Normally open*

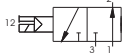


**T771/VS.32.0.1.MP**

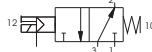
*Normally open*



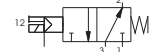
**T771/V.32.0.1AC.MV**  
*Normally closed*



*Normally closed*



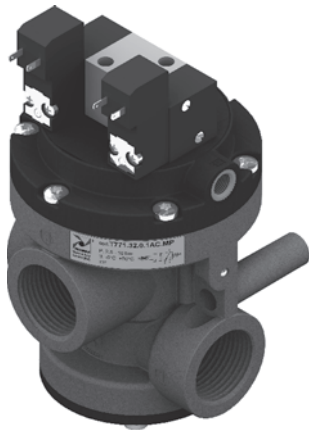
*Normally closed*



Minimum piloting pressure: 2 bar

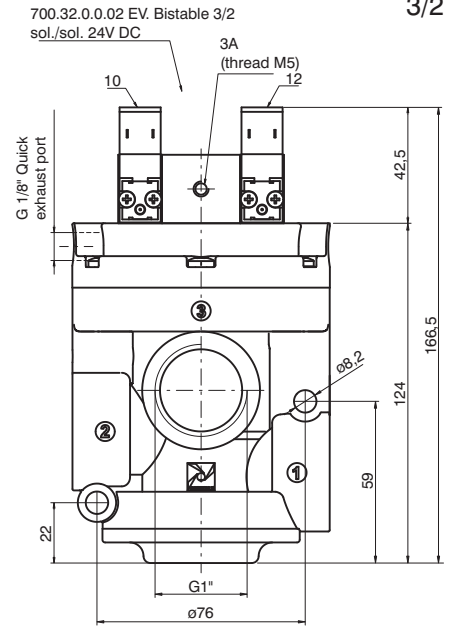
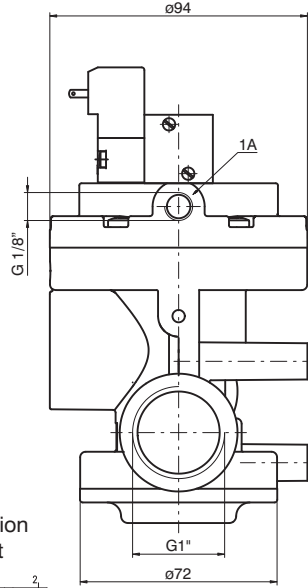
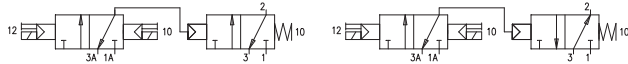
Operational characteristics	Fluid	Temperature		Orifice size	Inlet port size	Pilot ports size
	Vacuum	min.	max.			
		-5°C	+50°C	mm 25	G 1"	G 1/8"

**Bistable version for Compressed air**



**Air - N.C.**  
 1 = line in  
 2 = consumption  
 3 = exhaust

**Air - N.O.**  
 3 = line in  
 2 = consumption  
 1 = exhaust



Weight gr. 680

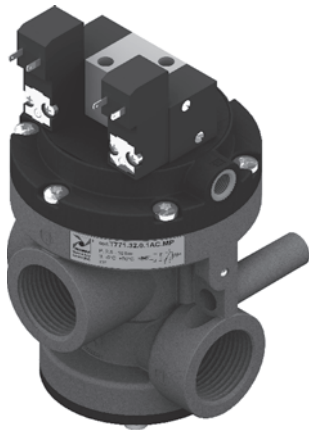
Ordering code

**T771.32.0.1BP**  
*Normally closed / Normally open*

*with quick exhaust*  
**T771S.32.0.1.BP**  
*Normally closed / Normally open*

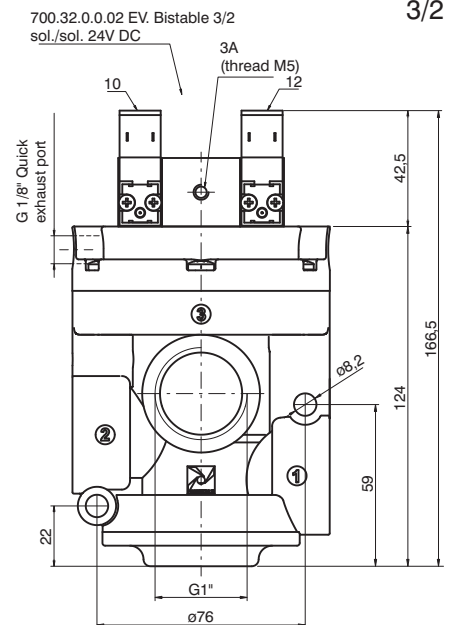
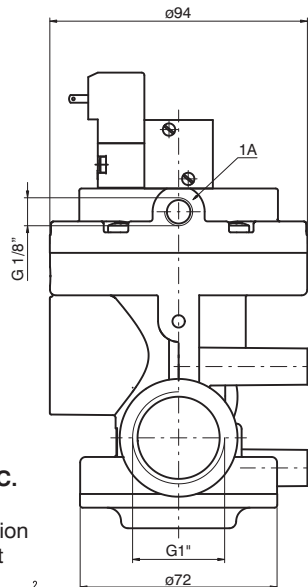
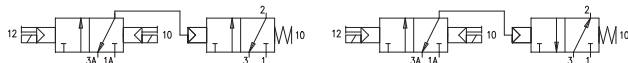
Operational characteristics	Fluid	Max piloting pressure	Minumum piloting pressure	Operating temperature		Flow rate at 6 bar with $\Delta p = 1\ bar$	Orifice size	inlet port size	Pilot ports size
	Filtered and lubricated air	10 bar	2,5 bar	min.	max.	12.000 NI/min	mm 25	G 1"	G 1/8"
				-5° C	+50° C				

**Bistable version for Vacuum**



**Vacuum - N.O.**  
 3 = pump  
 2 = consumption  
 1 = exhaust

**Vacuum - N.C.**  
 1 = pump  
 2 = consumption  
 3 = exhaust



Weight gr. 680

Ordering code

**T771/V.32.0.1BP**  
*Normally closed / Normally open*

*with quick exhaust*  
**T771/VS.32.0.1.BP**  
*Normally closed / Normally open*

Operational characteristics	Fluid	Minumum piloting pressure	Temperature		Orifice size	Inlet port size	Pilot ports size
	Vacuum	2,5 bar	min.	max.	mm 25	G 1"	G 1/8"
			-5° C	+50° C			