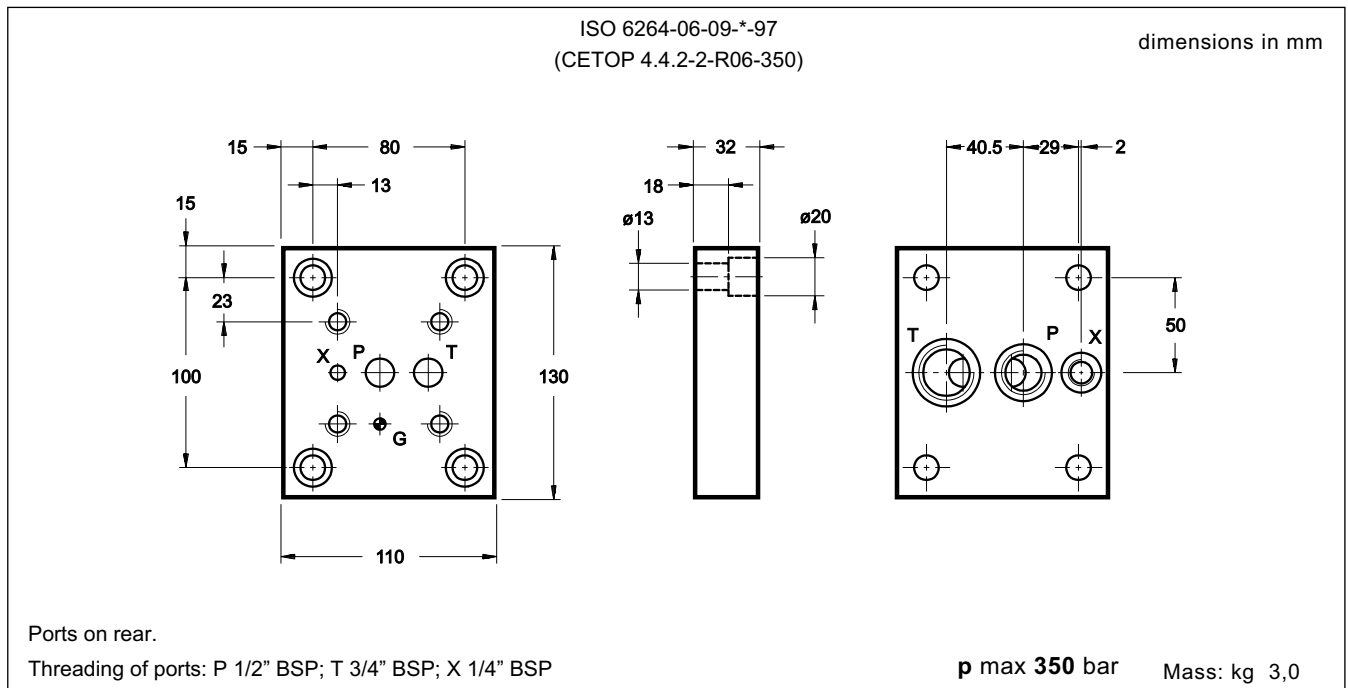
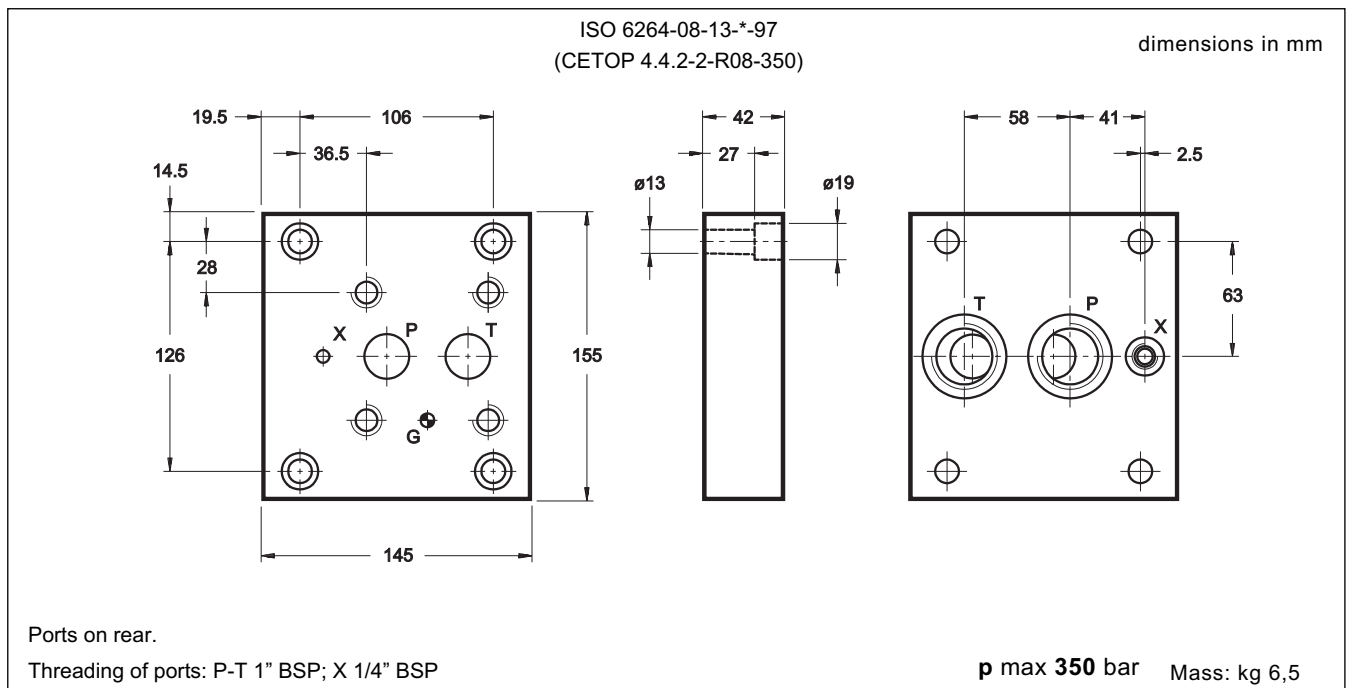


**SUBPLATES**  
**PMRQ\***  
SUBPLATES  
FOR PRESSURE  
CONTROL VALVES

**1 - OVERALL AND MOUNTING DIMENSIONS PMRQ3-AI4G/20 (cod. 1961211)**



**2 - OVERALL AND MOUNTING DIMENSIONS PMRQ5-AI5G/20 (cod. 1961221)**

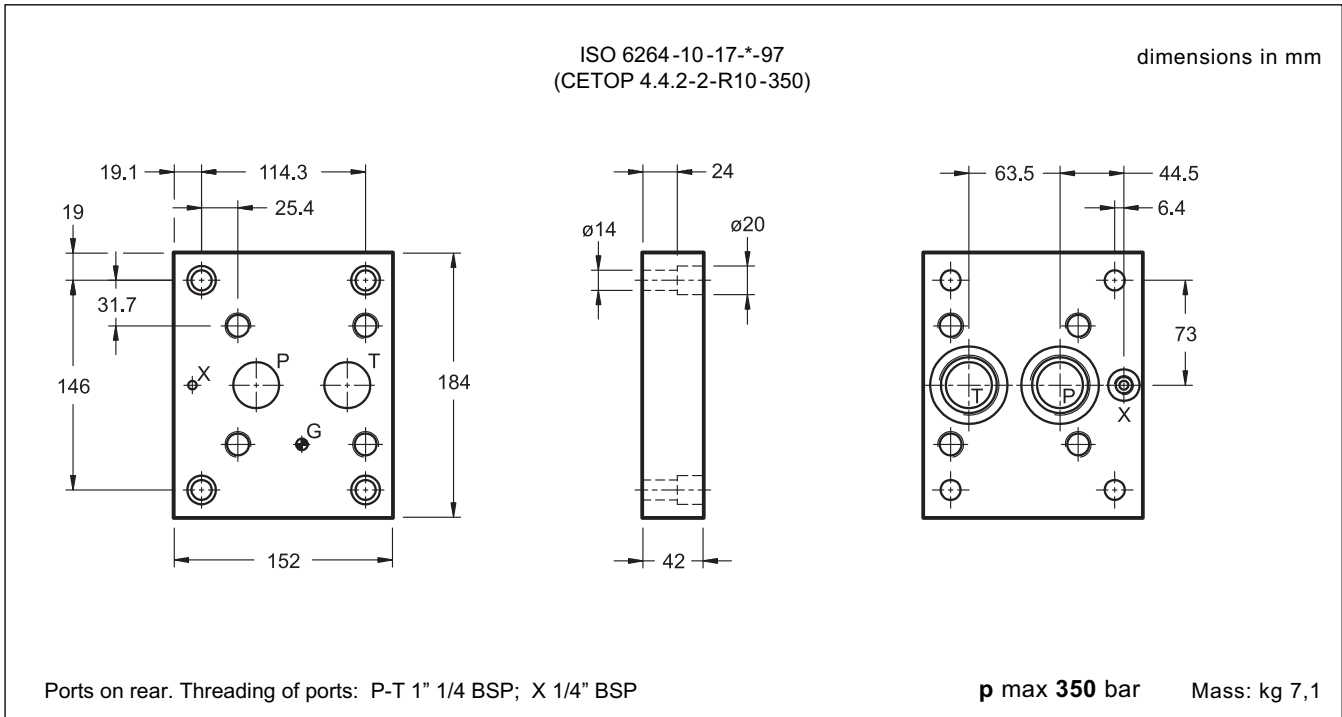




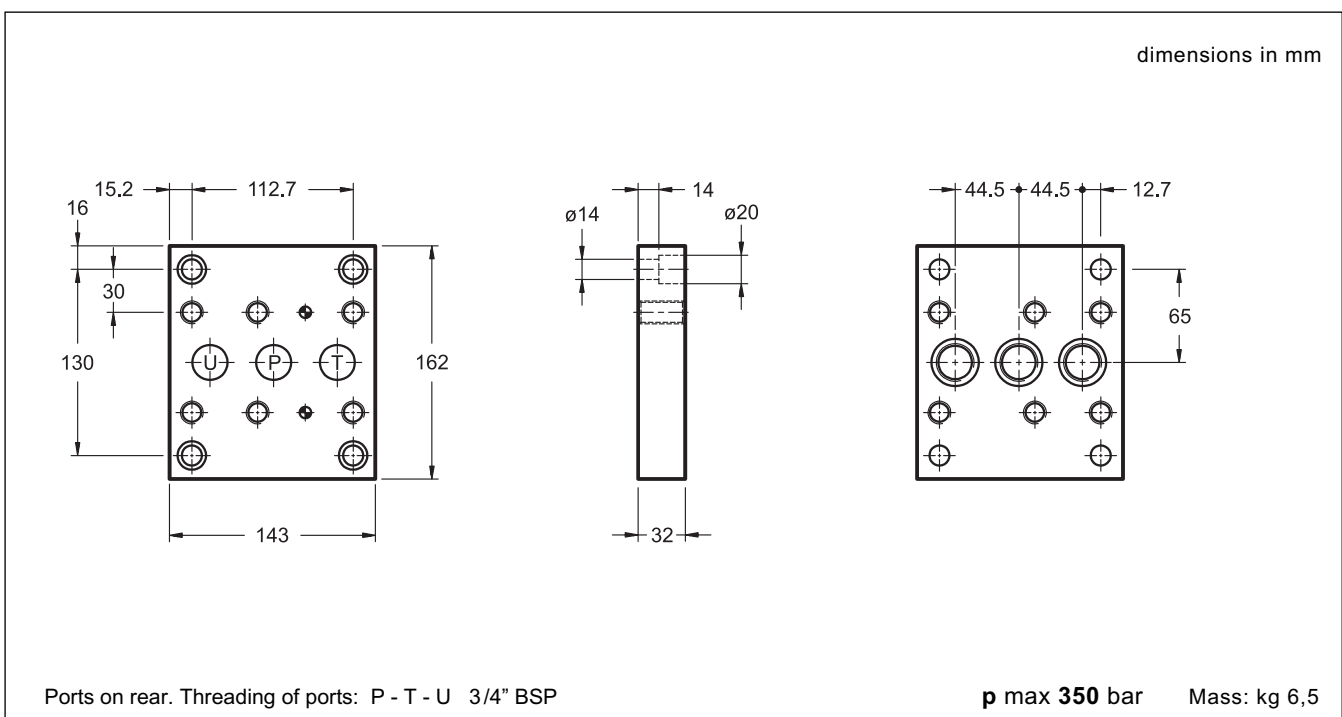
# PMRQ\*

## SUBPLATES FOR PRESSURE CONTROL VALVES

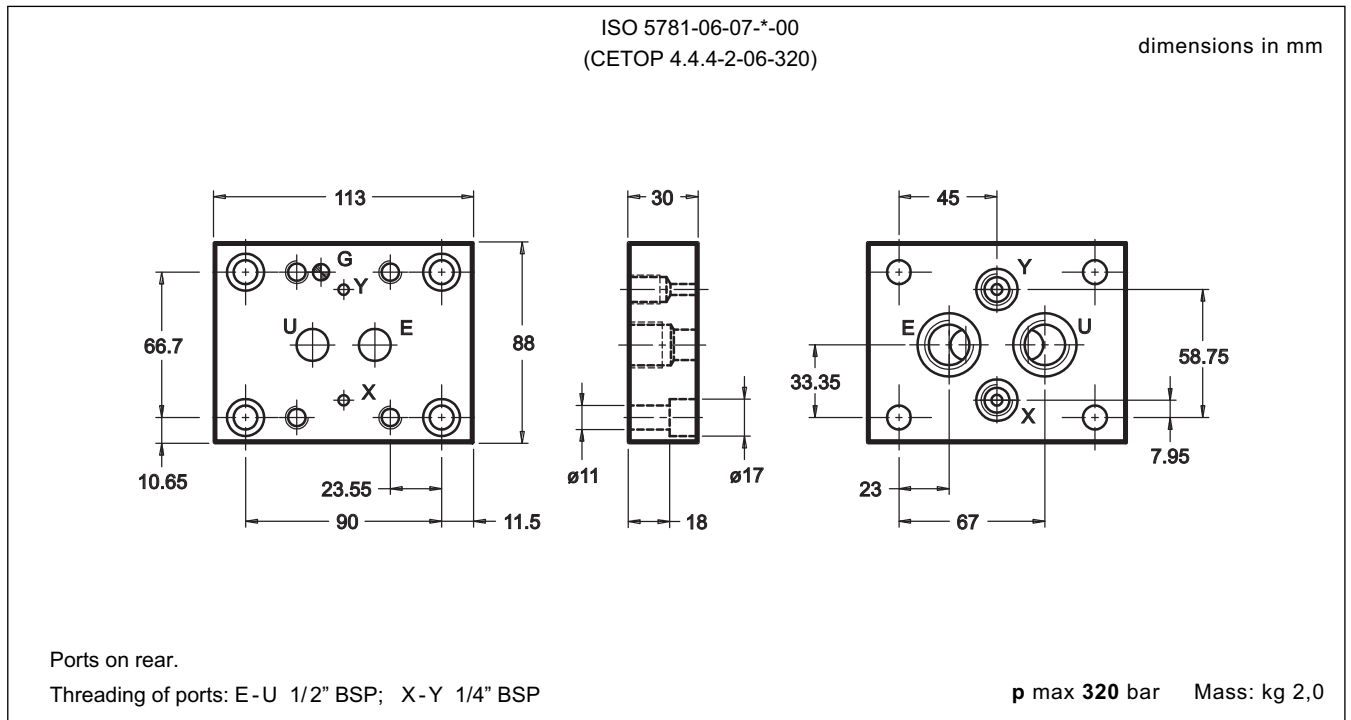
### 3 - OVERALL AND MOUNTING DIMENSIONS PMRQ7-AI7G/10 (cod. 1960051)



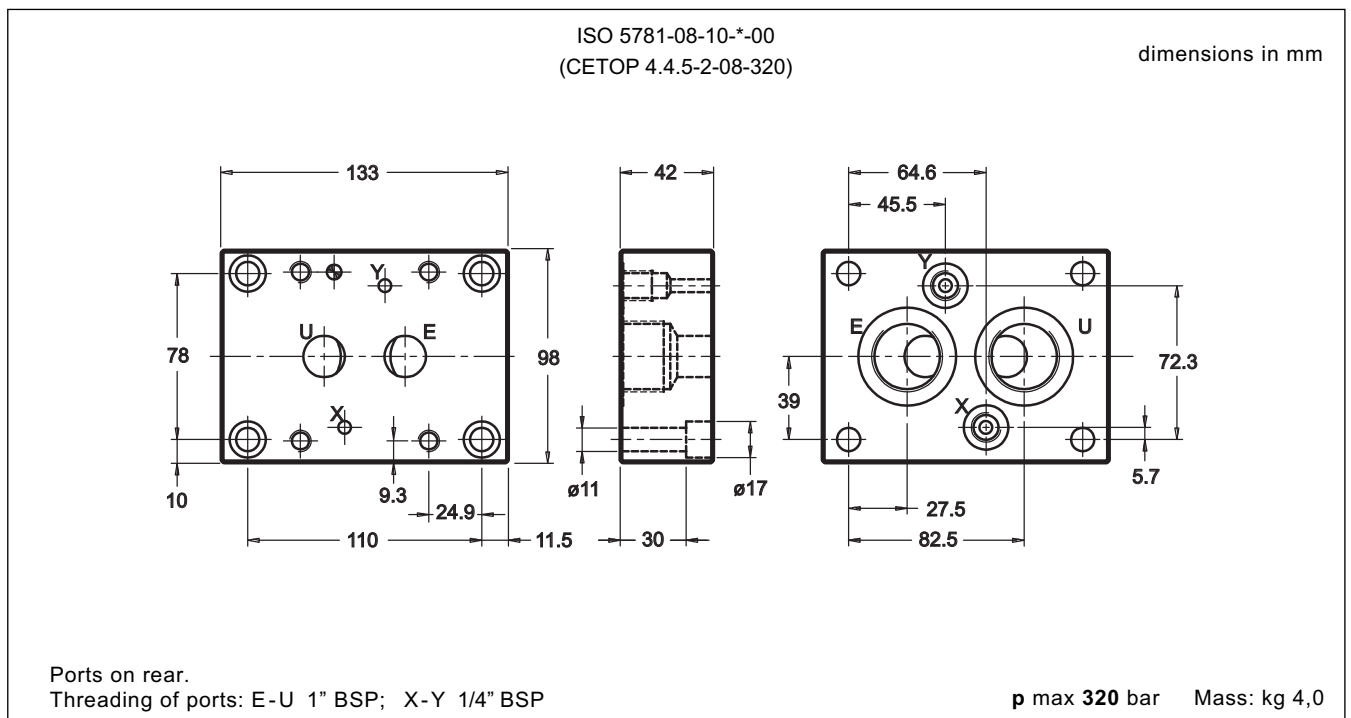
### 4 - OVERALL AND MOUNTING DIMENSIONS PMRQA5-AI5G/10 (cod. 1960070)



### 5 - OVERALL AND MOUNTING DIMENSIONS PMSZ3-AI4G/20 (cod. 1961231)



### 6 - OVERALL AND MOUNTING DIMENSIONS PMSZ5-AI6G/20 (cod. 1961241)



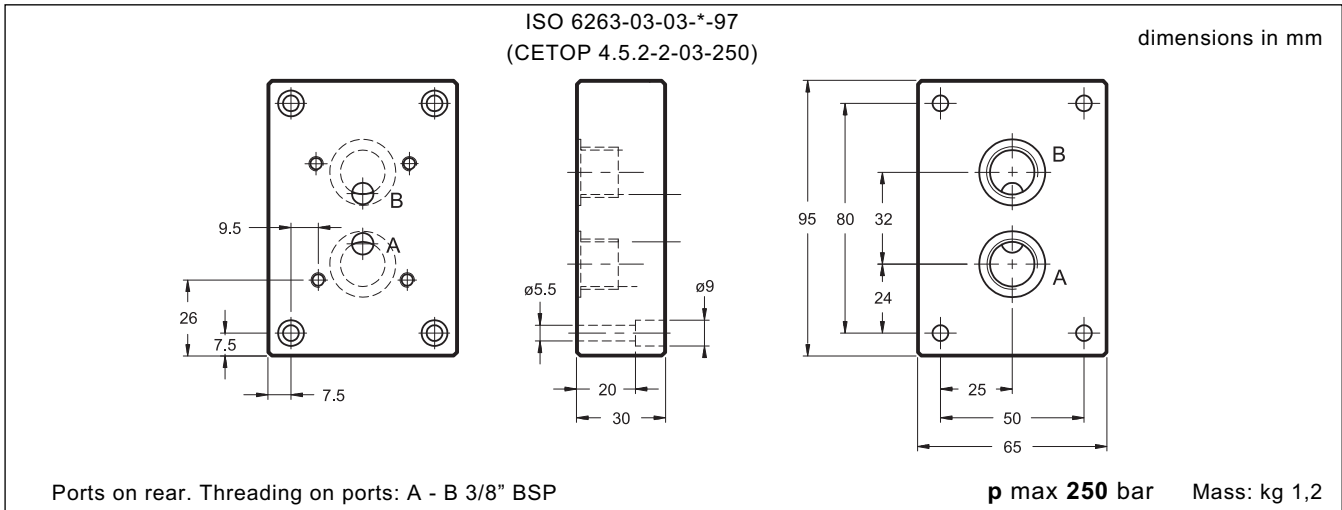


# PMRPC\*

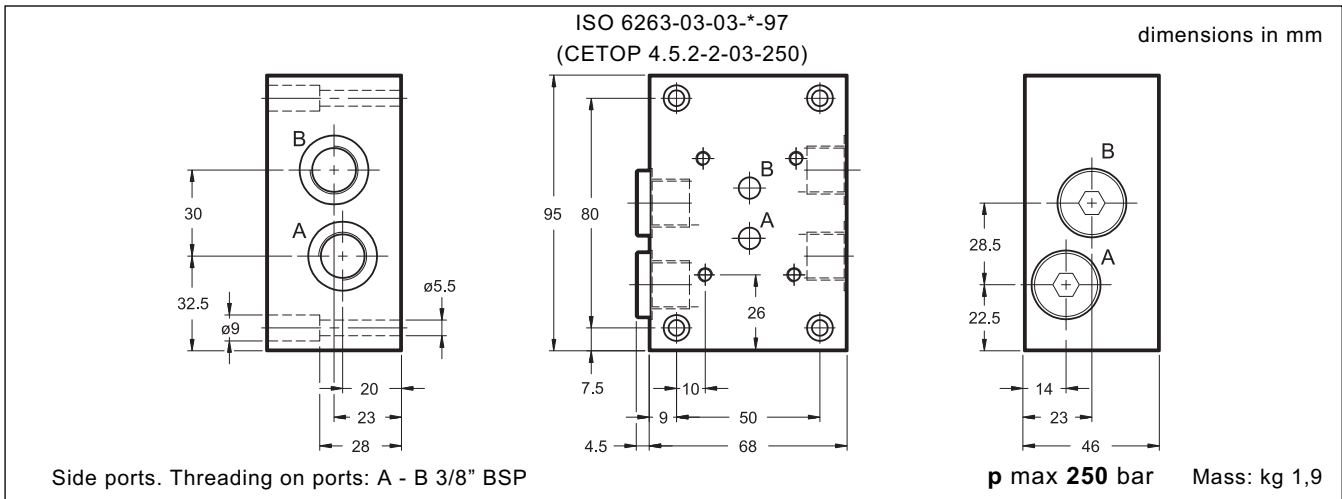
## SUBPLATES

### FOR FLOW CONTROL VALVES

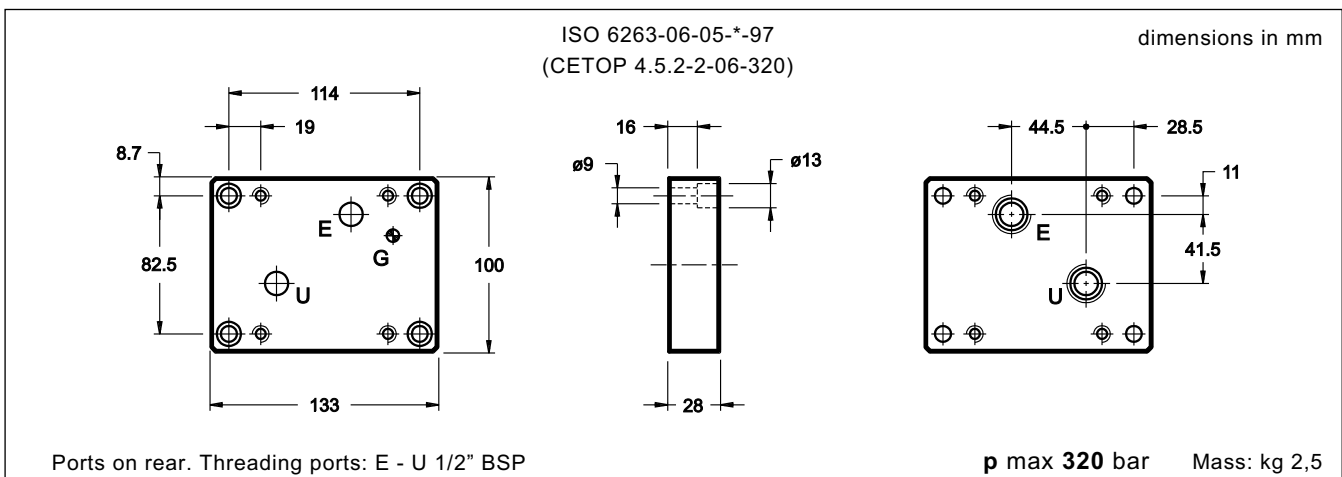
#### 7 - OVERALL AND MOUNTING DIMENSIONS PMRPC1-AI3G/10 (cod. 1961045)



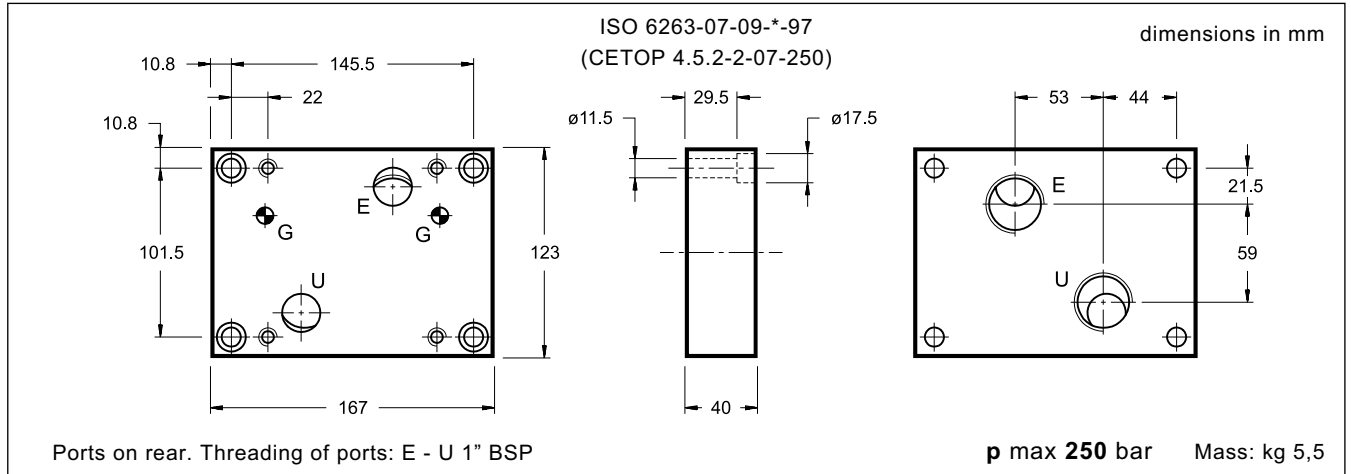
#### 8 - OVERALL AND MOUNTING DIMENSIONS PMRPC1-AL3G/10 (cod. 1961051)



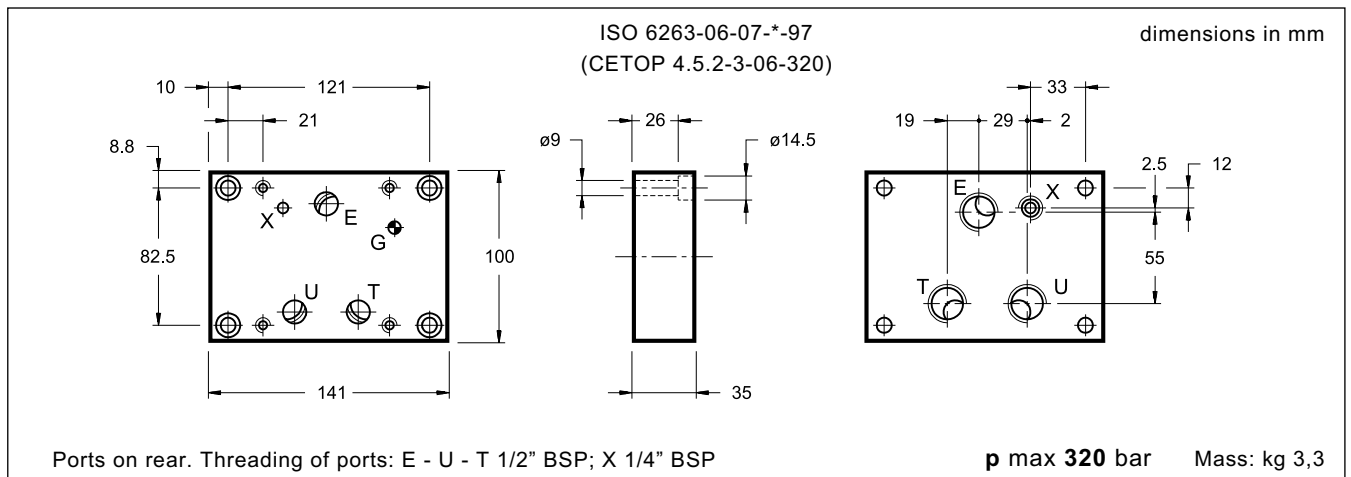
#### 9 - OVERALL AND MOUNTING DIMENSIONS PMRPC2-AI4G/10 (cod. 1960330)



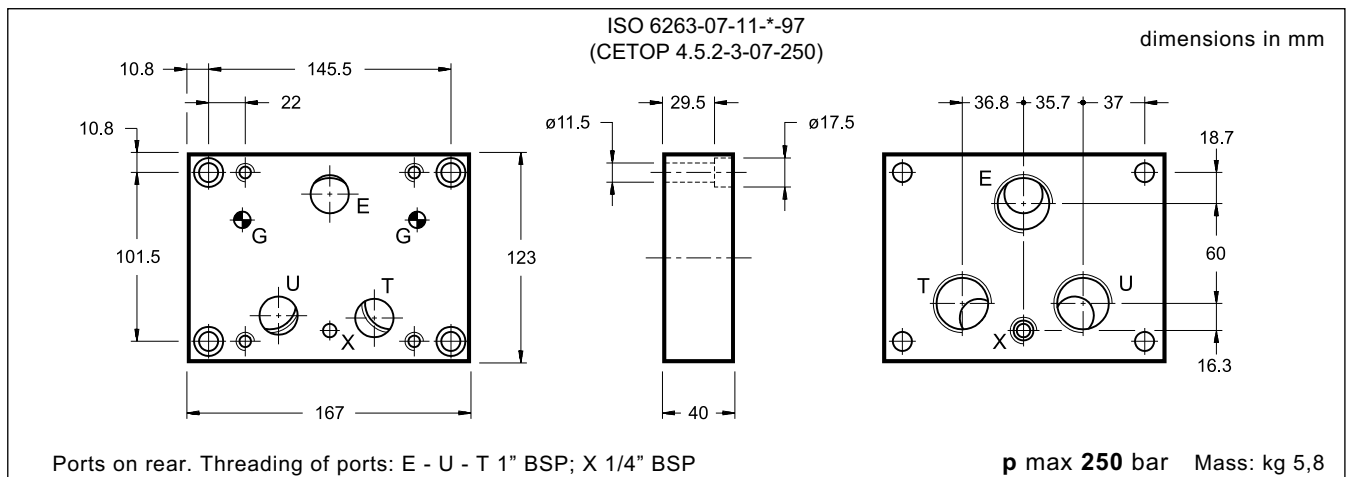
### 10 - OVERALL AND MOUNTING DIMENSIONS PMRPC3-AI6G/10 (cod. 1960511)



### 11 - OVERALL AND MOUNTING DIMENSIONS PMRPCQ2-AI4G/10 (cod. 1960526)



### 12 - OVERALL AND MOUNTING DIMENSIONS PMRPCQ3-AI6G/10 (cod. 1960423)

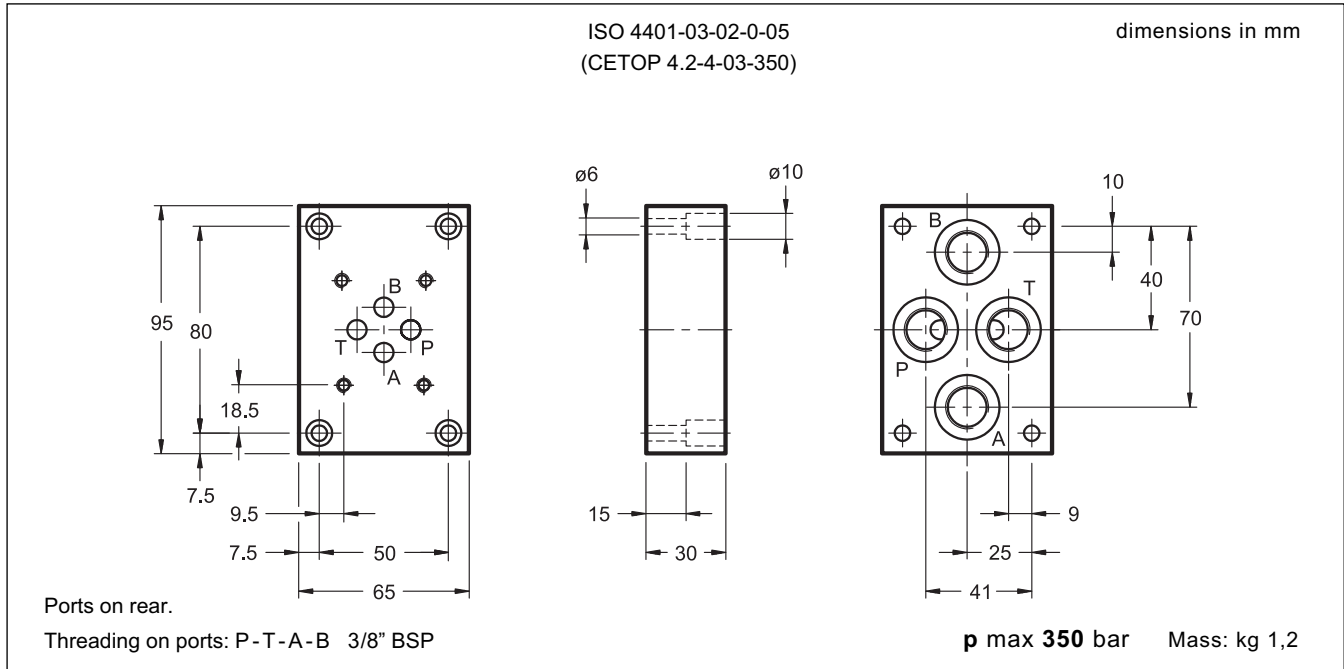




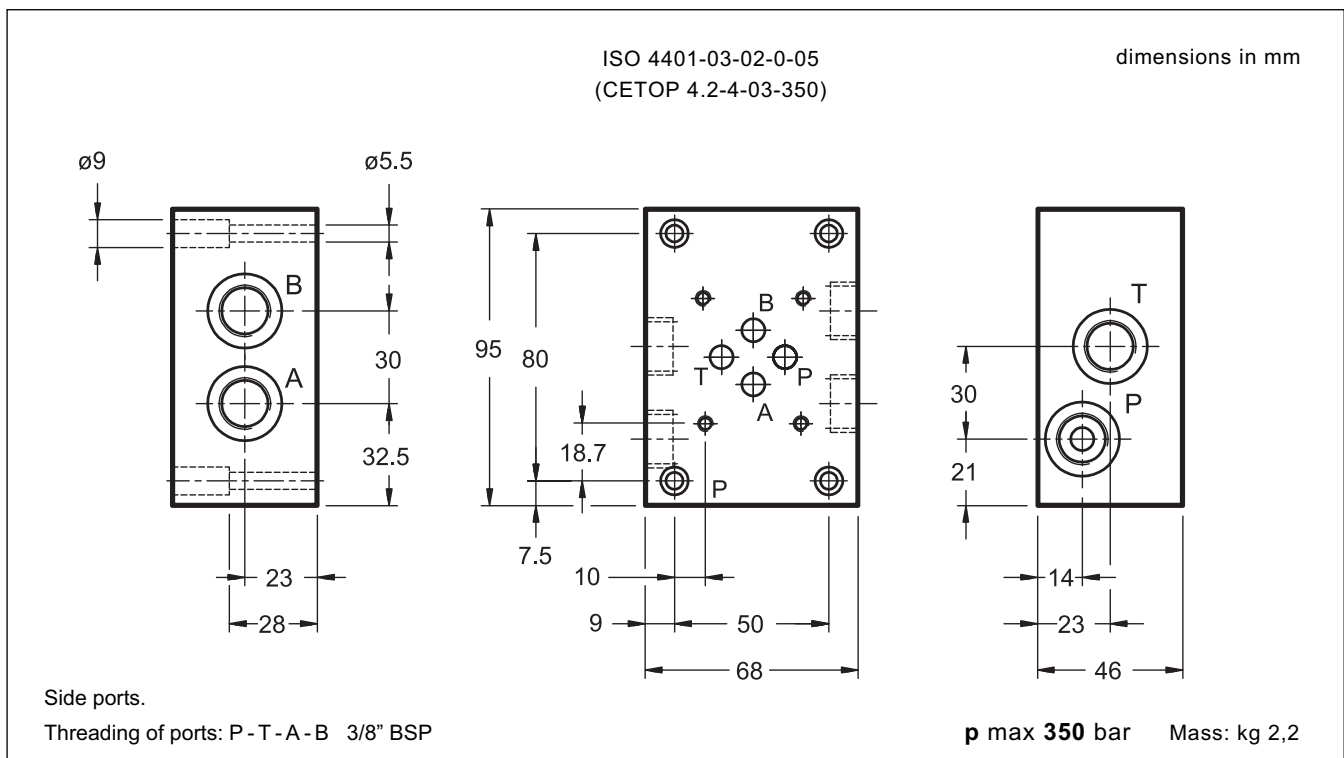
# PMMD

## SUBPLATES FOR ISO 4401-03 (CETOP 03) VALVES

### 13 - OVERALL AND MOUNTING DIMENSIONS PMMD-AI3G/20 (cod. 1961261)



### 14 - OVERALL AND MOUNTING DIMENSIONS PMMD-AL3G/11 (cod. 1961251)

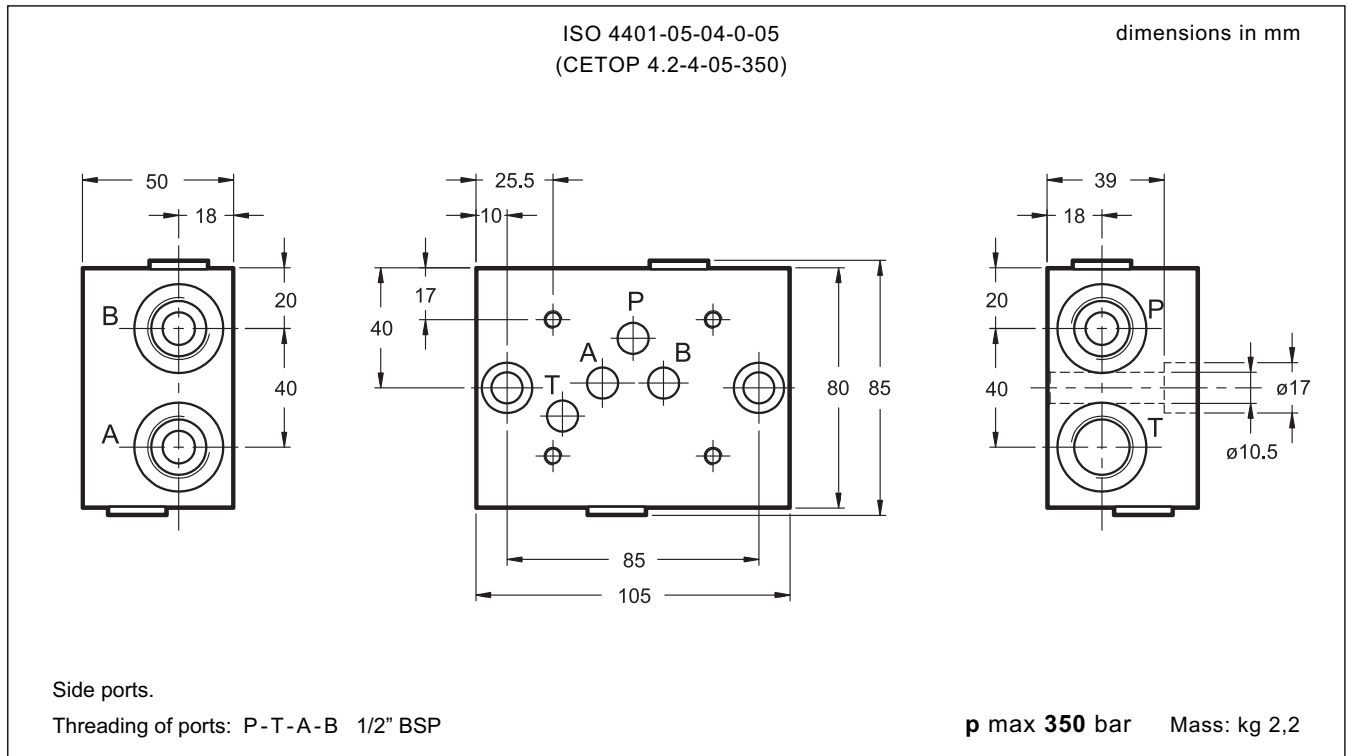




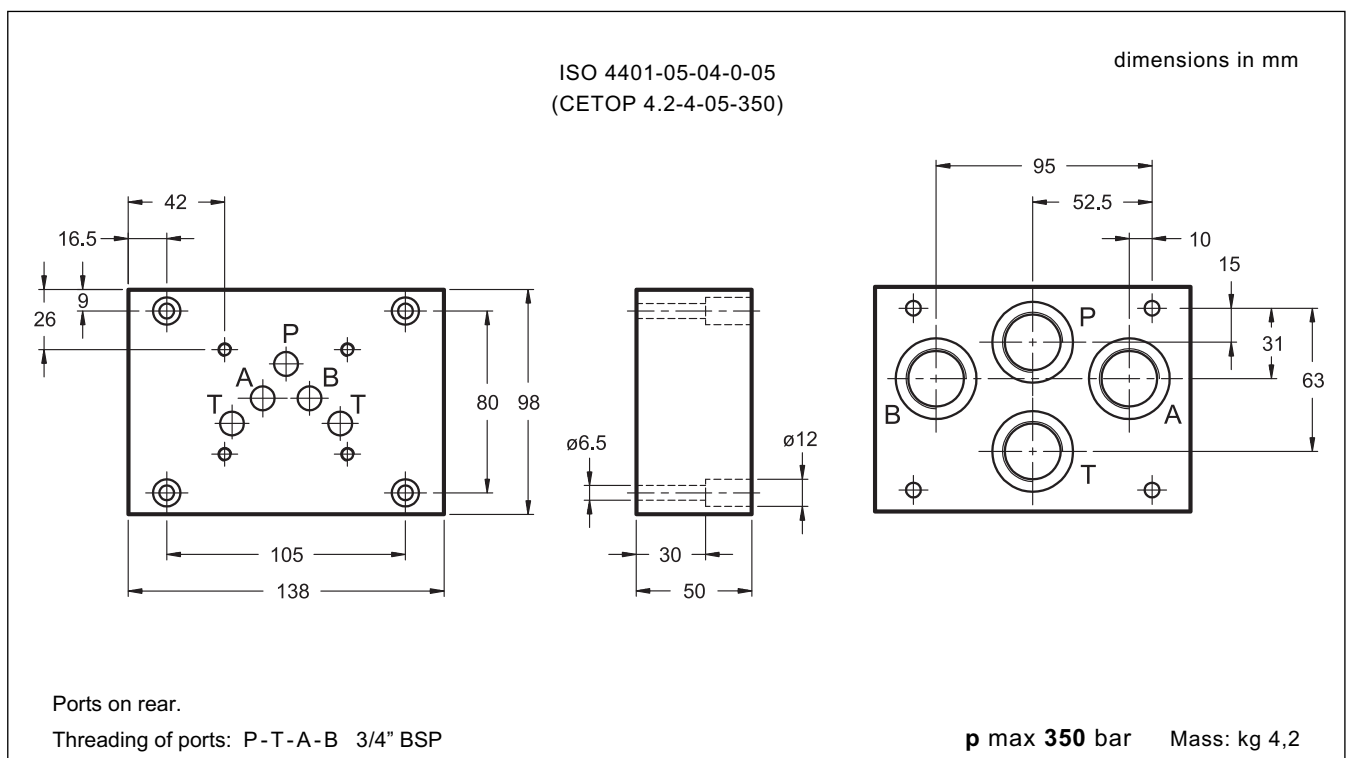
# PMD4

## SUBPLATES FOR ISO 4401-05 (CETOP 05) VALVES

### 15 - OVERALL AND MOUNTING DIMENSIONS PMD4-AL4G/10 (cod. 1960981)



### 16 - OVERALL AND MOUNTING DIMENSIONS PMD4-AI4G/20 (cod. 1961271)

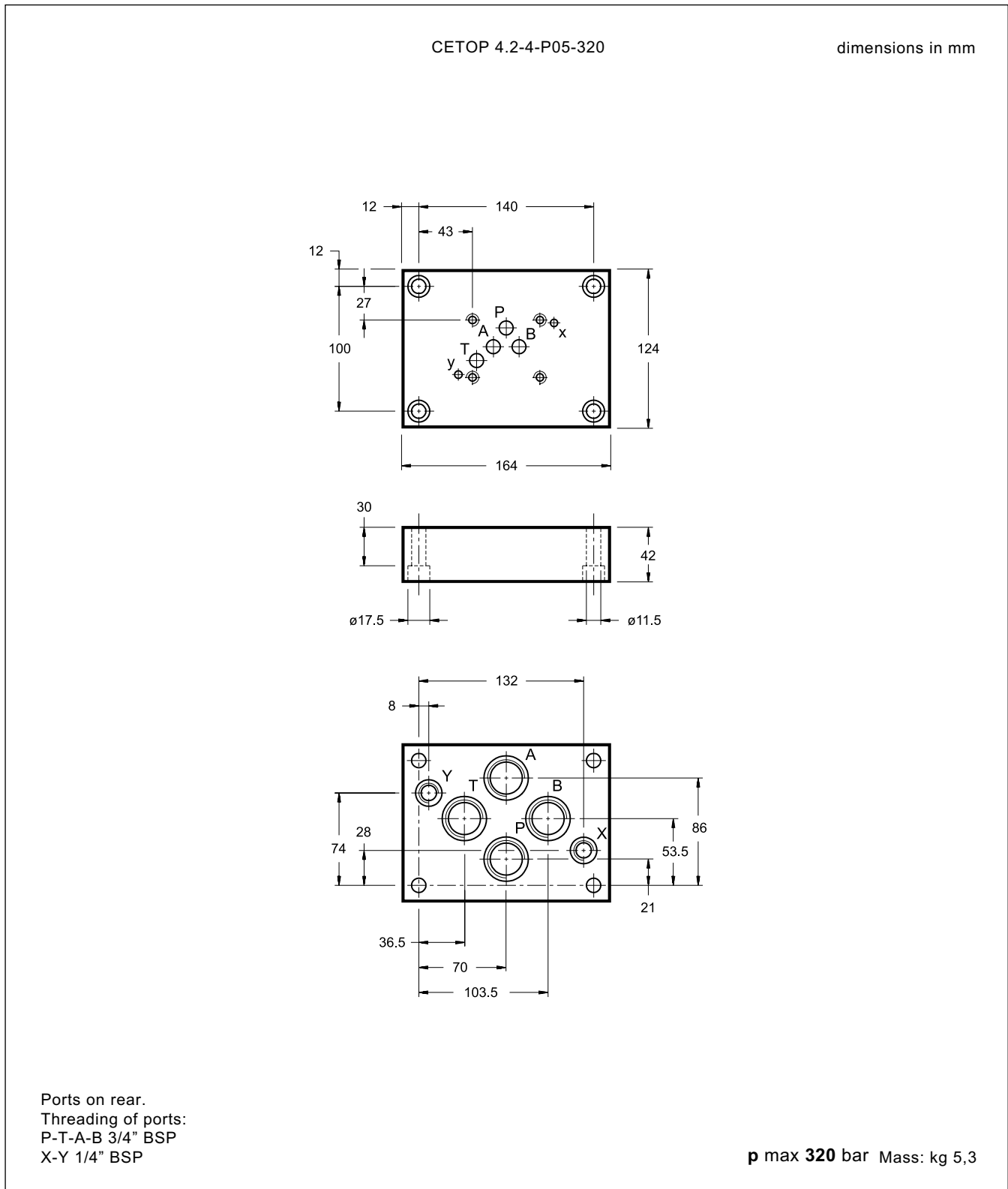




# PME4

## SUBPLATES FOR CETOP P05 VALVES

### 17 - OVERALL AND MOUNTING DIMENSIONS PME4-AI5G/10 (cod. 1961181)





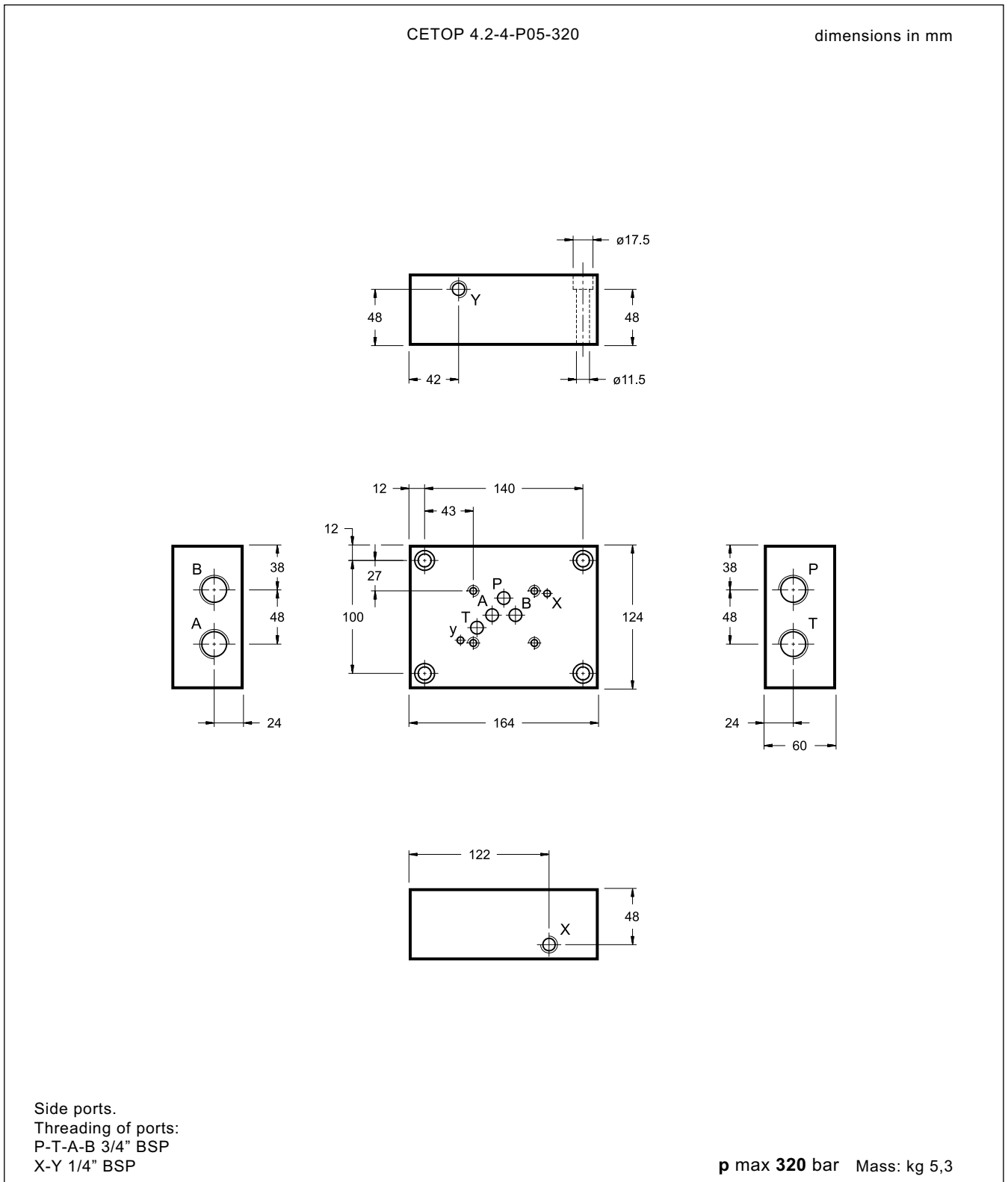


# PME4

## SUBPLATES

### FOR CETOP P05 VALVES

#### 18 - OVERALL AND MOUNTING DIMENSIONS PME4-AL5G/10 (cod. 1961201)





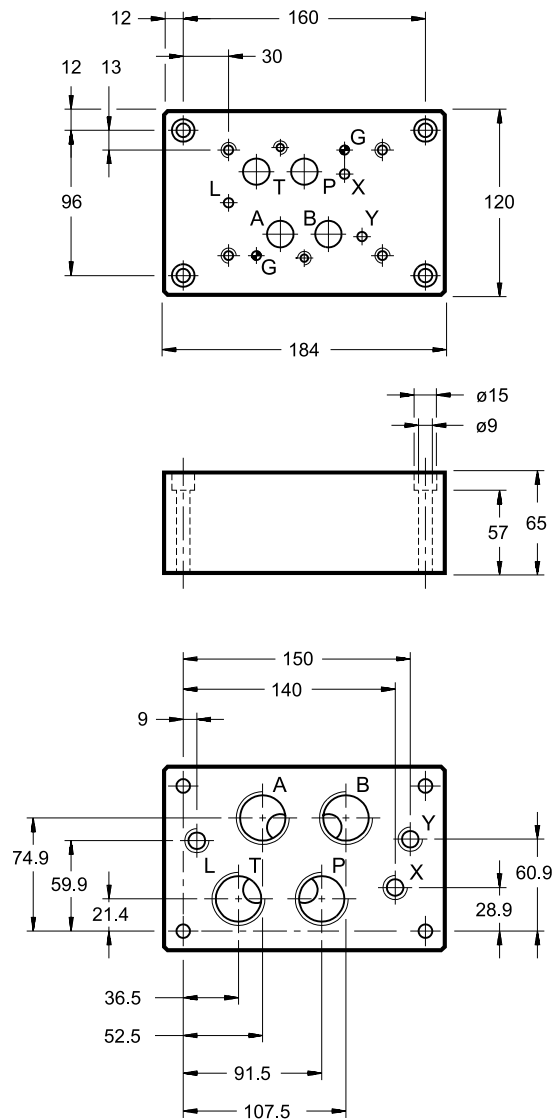
# PME07

## SUBPLATES FOR ISO 4401-07 (CETOP 07) VALVES

### 19 - OVERALL AND MOUNTING DIMENSIONS PME07-AI6G/10 (cod. 1961071)

dimensions in mm

ISO 4401-07-07-0-05  
(CETOP 4.2-4-07-350)



Ports on rear.  
Threading of ports:  
P-T-A-B 1" BSP  
X-Y-L 1/4" BSP

p max 350 bar

Mass: kg 9



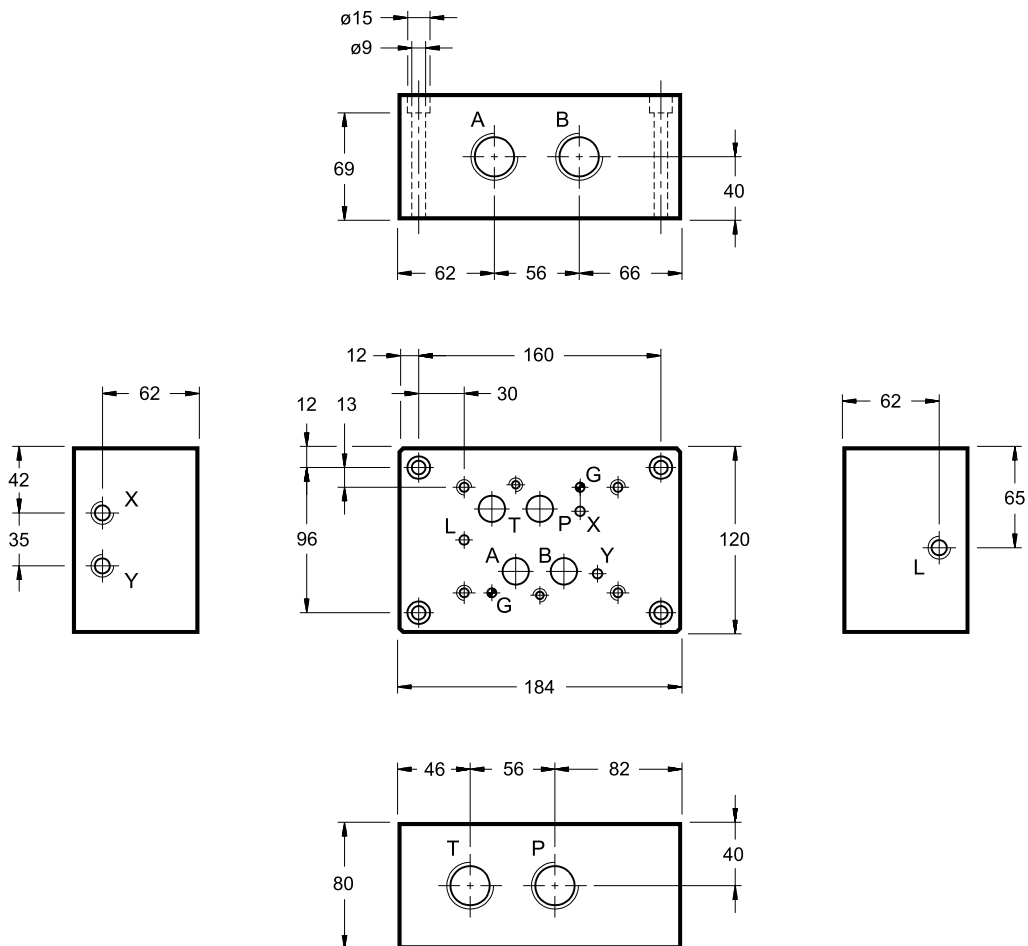
# PME07

## SUBPLATES FOR ISO 4401-07 (CETOP 07) VALVES

### 20 - OVERALL AND MOUNTING DIMENSIONS PME07-AL6G/10 (cod. 1961111)

dimensions in mm

ISO 4401-07-07-0-05  
(CETOP 4.2-4-07-350)



Side ports.  
Threading of ports:  
P-T-A-B 1" BSP  
X-Y-L 1/4" BSP

p max 350 bar

Mass: kg 11,5



# PME5

## SUBPLATES FOR ISO 4401-08 (CETOP 08) VALVES

### 21 - OVERALL AND MOUNTING DIMENSIONS PME5-AL8G/10 (cod. 1961141)

