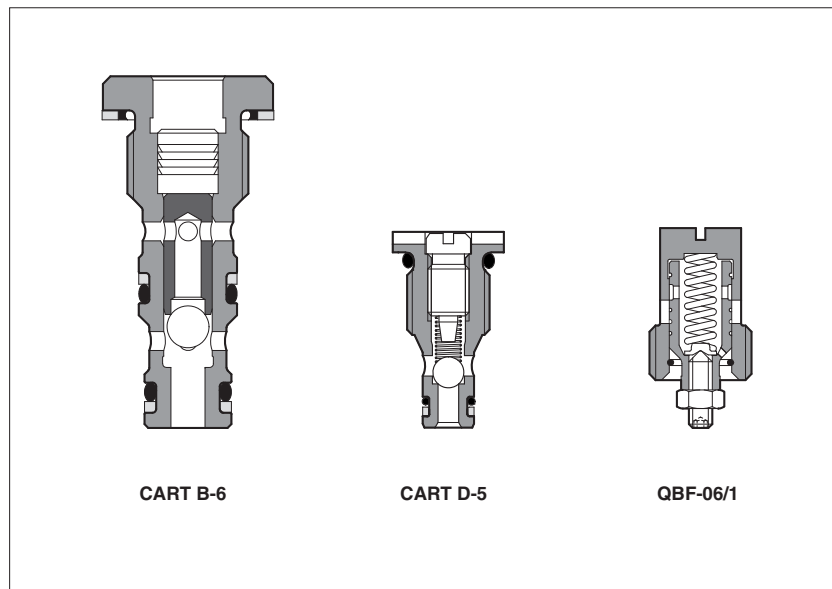


## CART B\*, CART D\*, QBF

Shuttle valves, check valves and flow regulators for piloting lines and load sensing blocks screw-in mounting

**Available only on request**



Cartridge valves for piloting lines and load sensing blocks

Applications:

**CART-B\*** are shuttle valves which automatically select the piloting line at higher pressure and contemporary shut-off the piloting line at lower pressure. They are used for pilot pressure selection in load sensing blocks or in modular pressure compensators (see KT catalog, table D150)

**CART-D\*** are simple check valves mainly used in load sensing blocks: D-5 model is used together with CART-B\* for check function on LS line among different users.

**QBF-06/1** is a pressure compensated flow control valve, screw-in execution. It is used to provide a constant flow to pilot stages of proportional valves.

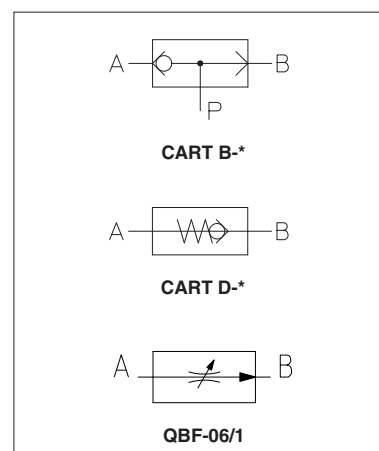
### 1 MODEL CODE of shuttle valves and check valves

<b>CART</b>	<b>B</b>	-	<b>3</b>	<b>/*</b>
Screw-in mounting				Seals material - = NBR PE = FKM
<b>B</b> = Shuttle valve <b>D</b> = Check valve		Size for type <b>B</b> : <b>3</b> = max flow 6 l/min <b>5</b> = max flow 5 l/min      Size for type <b>D</b> : <b>6</b> = max flow 15 l/min <b>5</b> = max flow 5 l/min		

### 2 MODEL CODE of flow regulator

<b>QBF</b>	-	<b>06</b>	/	<b>1</b>	<b>/*</b>
Flow regulator					Seals material - = NBR PE = FKM
Size = G1/4"		Max adjustable flow rate: <b>1</b> = max flow 1,5 l/min			

### 3 HYDRAULIC SYMBOLS



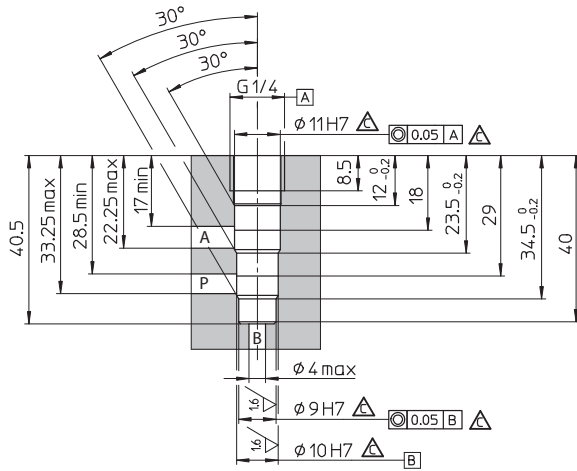
### 4 HYDRAULIC CHARACTERISTICS

VALVE MODEL	CART B-3	CART B-5	CART B-6	CART D-5	QBF-06/1
Max pressure (bar)	350		420	350	
Max flow (l/min)	6	5	15	5	1,5
Regulated flow (l/min)	-	-	-	-	0,75 ÷ 1,5
Min regulated Δp (bar)	-	-	-	-	4

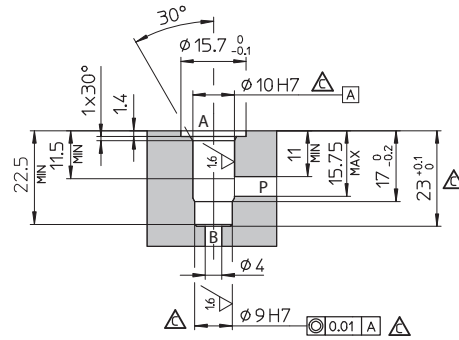
### 5 MAIN CHARACTERISTICS OF SHUTTLE VALVES AND FLOW REGULATORS

Assembly position	Any position	
Ambient temperature	-20°C + 70°C	
Fluid	Hydraulic oil as per DIN 51524...535; for other fluids see section I	
Recommended viscosity	15÷100 mm <sup>2</sup> /s at 40°C (ISO VG 15÷100)	
Fluid contamination class	ISO 4401 class 21/19/16 NAS 1638 class 10 (filters at 25 μm value with β <sub>25</sub> ≥ 75 recommended)	
Fluid temperature	-20°C +60°C (standard seals)	-20°C +80°C (/PE seals)

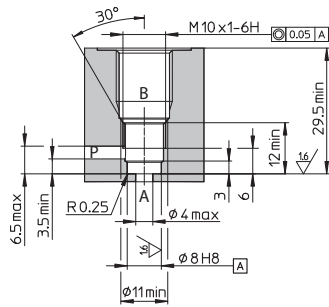
**Cavity CART B-3**  
Cavity dimensions  
for mounting inside manifold  
with optional plug A3-DRTH-100014



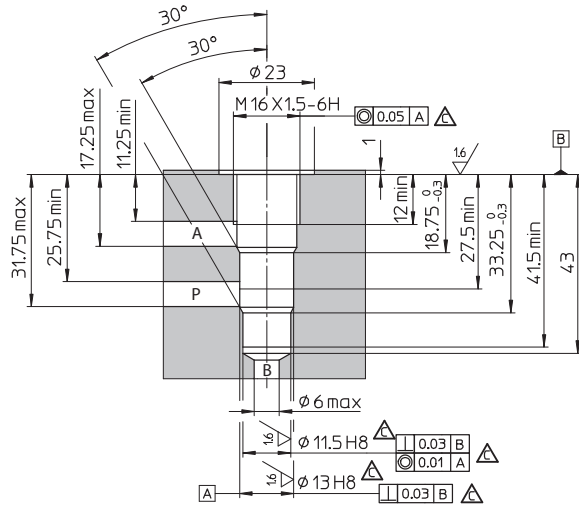
**Cavity CART B-3**  
Cavity dimensions  
for subplate mounting



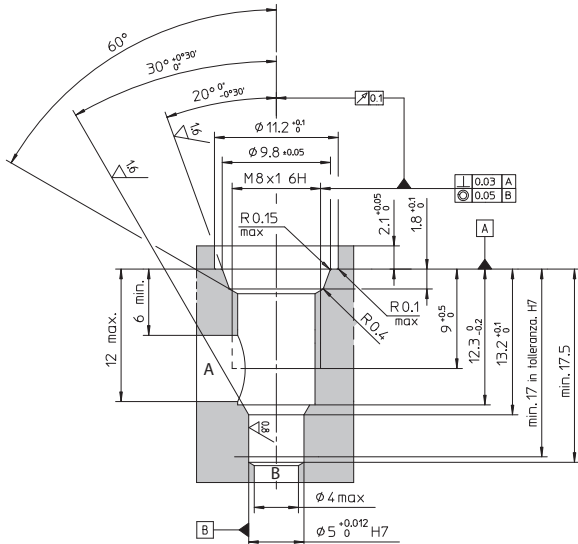
**Cavity CART B-5**



**Cavity CART B-6**

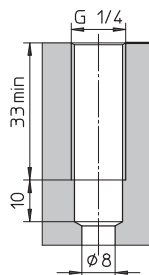


**Cavity CART D-5**



Distance L [mm]	l/min
0,5	1,5
1	1,4
1,5	1,2
2	1
> 2,5	0,75

**Cavity QBF-06/1/\***



**Positioning QBF-06/1/\***

