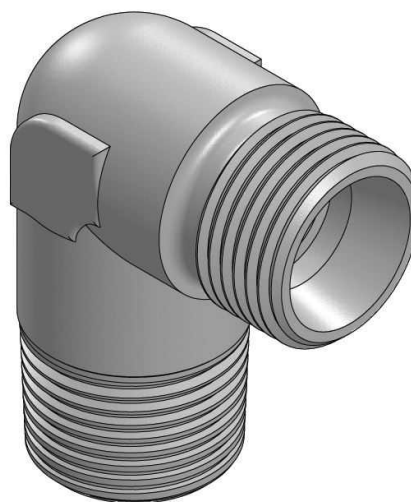
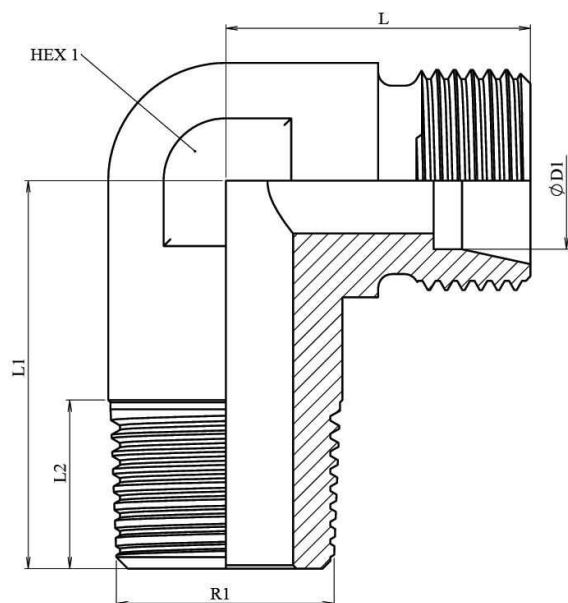


Male stud elbows BSP tapered

Part n°	ØD1	Serie	R1	Working Pressure (bar)	L	L1	L2	HEX 1
STA CKLL 4 R 1/8	4	LL	1/8" BSPT	100	15	17	8	9
STA CKLL 6 R 1/8	6	LL	1/8" BSPT	100	15	17	8	9
STA CKLL 8 R 1/8	8	LL	1/8" BSPT	100	17	20	8	12
STA CKL 6 R 1/8	6	L	1/8" BSPT	315	19	20	10	12
STA CKL 6 R 1/4	6	L	1/4" BSPT	315	21	26	12	12
STA CKL 8 R 1/8	8	L	1/8" BSPT	315	21	26	8	12
STA CKL 8 R 1/4	8	L	1/4" BSPT	315	21	26	12	12
STA CKL 8 R 3/8	8	L	3/8" BSPT	315	26	28	12	17
STA CKL 10 R 1/4	10	L	1/4" BSPT	315	22	27	12	14
STA CKL 10 R 3/8	10	L	3/8" BSPT	315	24	28	12	17
STA CKL 10 R 1/2	10	L	1/2" BSPT	315	30	34	14	19
STA CKL 12 R 1/4	12	L	1/4" BSPT	315	24	28	12	17
STA CKL 12 R 3/8	12	L	3/8" BSPT	315	24	28	12	17
STA CKL 12 R 1/2	12	L	1/2" BSPT	315	30	34	14	19
STA CKL 15 R 3/8	15	L	3/8" BSPT	315	28	34	12	19
STA CKL 15 R 1/2	15	L	1/2" BSPT	315	28	34	14	19
STA CKL 18 R 1/2	18	L	1/2" BSPT	315	31	36	14	24
STA CKL 22 R 3/4	22	L	3/4" BSPT	160	35	42	16	27
STA CKL 28 R 1	28	L	1" BSPT	160	38	48	18	36
STA CKL 35 R 1 1/4	35	L	1 1/4" BSPT	160	45	54	25	41
STA CKL 42 R 1 1/2	42	L	1 1/2" BSPT	160	51	61	22	50
STA CKS 6 R 1/4	6	S	1/4" BSPT	400	23	26	12	12
STA CKS 8 R 1/4	8	S	1/4" BSPT	400	24	27	12	14
STA CKS 10 R 3/8	10	S	3/8" BSPT	400	25	28	12	17
STA CKS 12 R 3/8	12	S	3/8" BSPT	400	29	28	12	17
STA CKS 12 R 1/2	12	S	1/2" BSPT	400	31	34	14	19
STA CKS 14 R 1/2	14	S	1/2" BSPT	400	30	32	14	19

Male stud elbows BSP tapered

Part n°	ØD1	Serie	R1	Working Pressure (bar)	L	L1	L2	HEX 1
STA CKS 16 R 1/2	16	S	1/2" BSPT	400	33	32	14	24
STA CKS 20 R 3/4	20	S	3/4" BSPT	400	37	42	16	27
STA CKS 25 R 1	25	S	1" BSPT	250	42	48	18	36
STA CKS 30 R 1 1/4	30	S	1"1/4 BSPT	160	49	54	25	41
STA CKS 38 R 1 1/2	38	S	1"1/2 BSPT	160	57	61	22	50