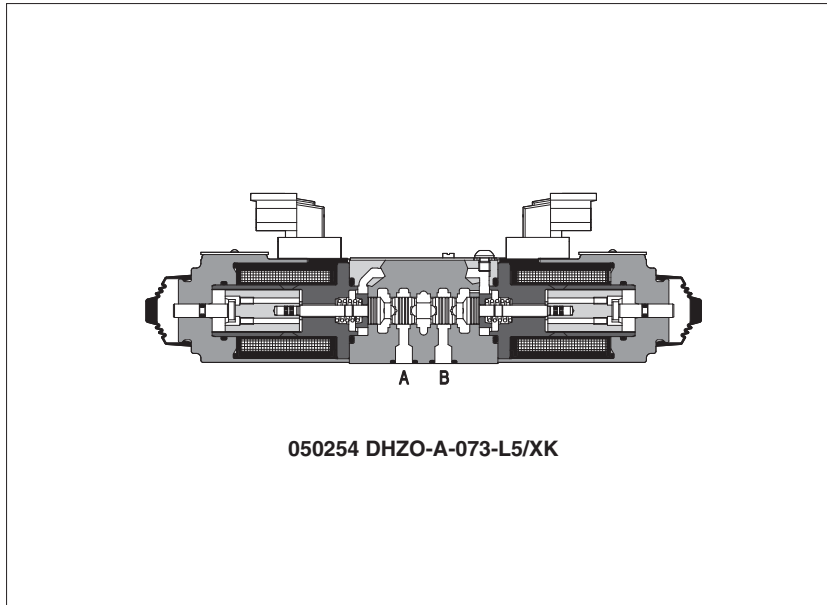


Proportional valves with special mobile connectors

without position transducer and integral electronics

Available only on request



Proportional valves with special Deutsch connector for improved protection to water and atmospheric agents, typical for mobile applications.

Technical characteristics

Standard proportional valves -A (without transducer and integral electronics) equipped with special solenoids 050254 OZOAK

The solenoid is provided with IP67 Deutsch connector and it is available with voltages 6, 12 and 18 Vdc

Applications

Mobile machines

1 MODEL CODE OF PROPORTIONAL VALVES

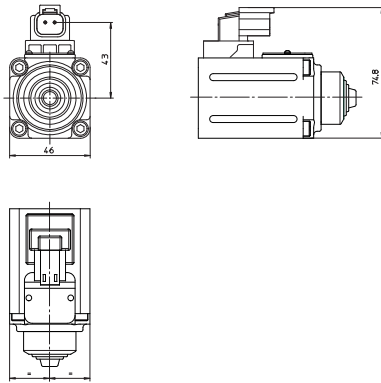
050254	*	/XK	*
Special execution			Voltage code: - = standard coil for 24 Vdc Atos driver 6 = optional coil for 12 Vdc Atos driver 18 = optional coil for low current driver
Proportional valve model code, see KT catalogue, section F		Connector type: XK = Deutsch connector	

Note: The special connectors are available only for proportional valves with separated electronics and without transducer (-A version)

2 COILS CHARACTERISTICS

Coil type	050254 OZOAK		
Insulation class	H (180°C) Due to the occurring surface temperatures of the solenoid coils, the European standards EN563 and EN982 must be taken into account		
Connector protection degree	IP 67		
Relative duty factor	100%		
Supply voltage	12 Vdc	6 Vdc	18 Vdc
Supply voltage tolerance	-		
Coil resistance	3 ÷ 3,3 Ω	2 ÷ 2,2 Ω	13 ÷ 13,4 Ω

4 SOLENOID DIMENSIONS [mm]



OZOAK

Solenoid type 050254 OZOAK
Deutsch connector
DT-04-2P male
Protection degree IP67

EXAMPLE OF DHZO-A DIMENSIONS

