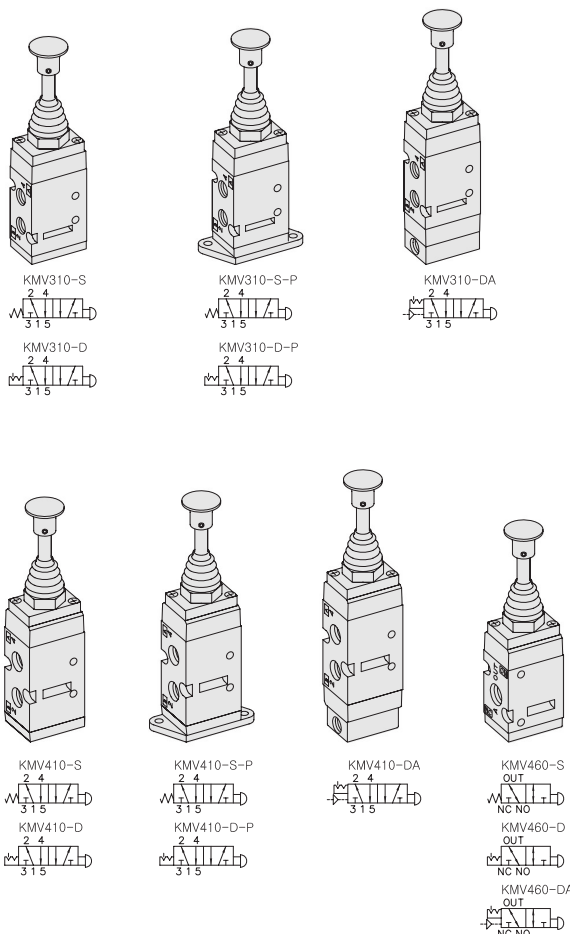


# KMV Series

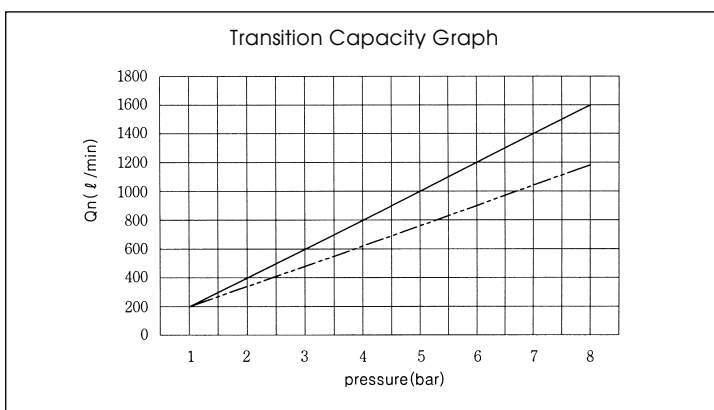
Knob Push / Pull Manually  
Actuated Spool Valves

- 5/2, 3/2 - 1/8, 1/4
- Direct Operation Type
- Simple Operation
- Space Economy Type

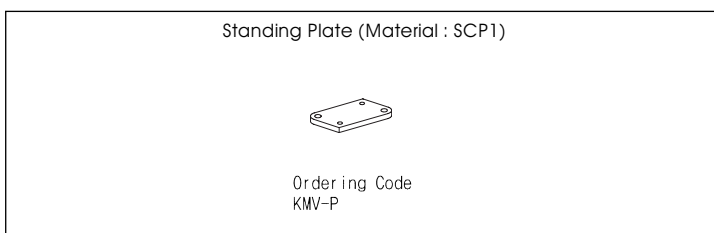


## SPECIFICATION

ITEM	FUNCTION	KMV300	KMV400
			5/2-Way
Fluids		Compressed Air & Inert Gases	
Port Size		1/8	1/4
Pressure(bar)		0~8.0	
Eff. Sectional Area(mm <sup>2</sup> )-5bar		13.5	18.0
Ambient & Fluid Temp.		5~60°C (41~140°F)	
Lubrication		Not Required(Use ISO VG32#)	



- ### The Material of Parts
- Valve Body : Die-Cast Aluminium
  - Spool : Aluminium
  - Seals : NBR
  - Spring : Stainless
  - Lever Parts : Steel, NBR, Aluminium
  - Cap : Zinc Pressure Die-Cast
  - Standing Plate : Steel Plate

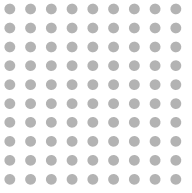


※ The specification on each item can be amended without any prenotice to improve a performance.  
※ The specification on each item can be different from actual specification.

## ORDERING NO.

**KMV3 1 0 - S - P**

Valve Series	Function	Port Size & Thread	Return Method	Plate
KMV3 : 1/8-Port Body	1 5/2 Single 6 3/2 Normally Closed	0 G 1 NPT	S Push, Spring Return D Push, Full DA Push, Air Return	P Standing Plate
KMV4 : 1/4-Port Body				

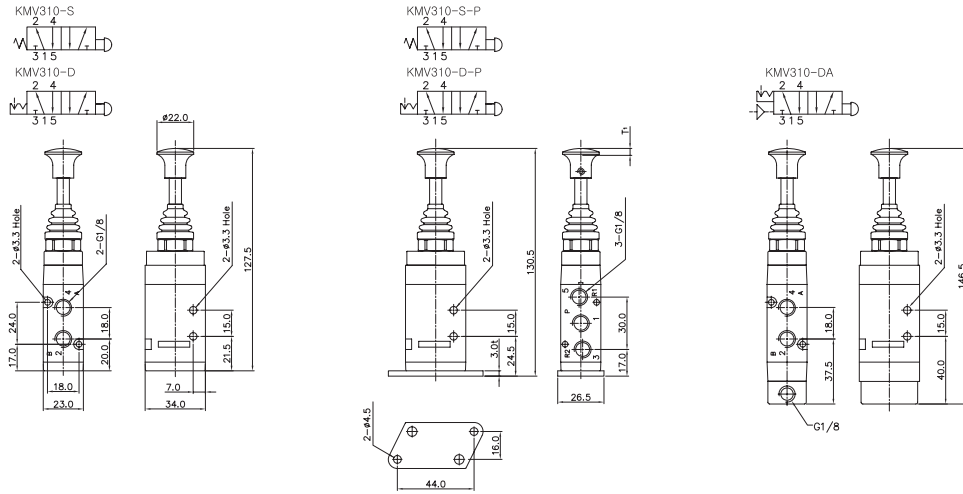


# Knob Push / Pull Manually Actuated Valves

## Port Thread 1/8, 1/4

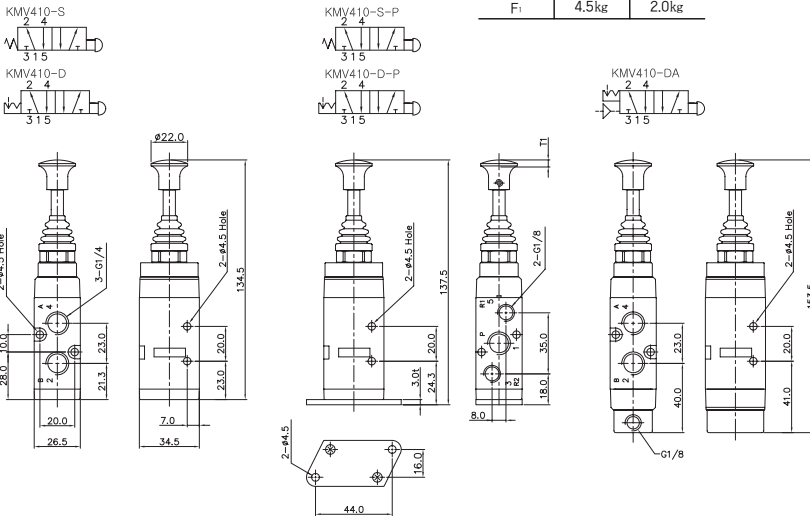
### 5/2-Way, Spring Return & Push Pull & Air Return Operation Thread-G1/8

ITEM	KMV310-S	KMV310-D
T <sub>1</sub>	4.0mm	4.0mm
F <sub>1</sub>	4.5kg	2.0kg



### 5/2-Way, Spring Return & Push Pull & Air Return Operation Thread-G1/4

ITEM	KMV410-S	KMV420-D
T <sub>1</sub>	4.0mm	4.0mm
F <sub>1</sub>	4.5kg	2.0kg



### 3/2-Way, Spring Return & Push Pull & Air Return Operation Thread-G1/4

