

Description

The blocking valves are used to maintain pressure in the downstream part of the pneumatic circuit even when the pressure supply is shut down.

Blocking valves are normally assembled directly on cylinders ports in order to maintain the position even in cases of accidental loss of the pilot pressure by preventing a sudden loss of pressure in the cylinder chambers.

Unidirectional and bidirectional version are both available.

The unidirectional version allows free air to flow in one direction while requires a pneumatic signal to allow air flow in the opposite direction.

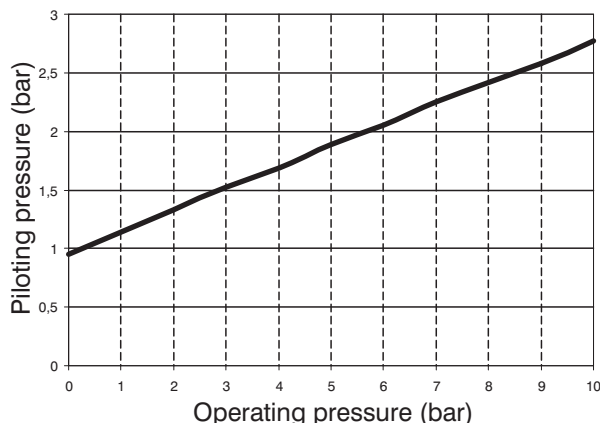
The bidirectional version requires a pressure signal to allow air flow in both of the two directions.

The blocking valve cannot be used as safety device.

Constructive features

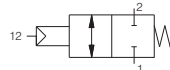
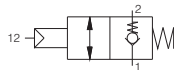
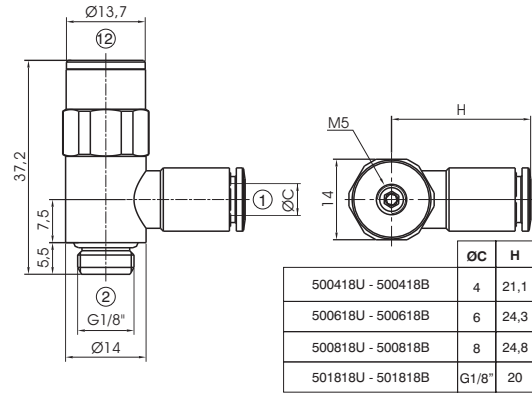
UNIDIRECTIONAL VERSION		BIDIRECTIONAL VERSION	
<ul style="list-style-type: none"> 1 - Aluminium piston 2 - Brass plug 3 - Brass body 4 - FPM poppet (1/8" and 1/4" version) PUR poppet (3/8" and 1/2" version) 5 - NBR seal 6 - Steel spring 		<ul style="list-style-type: none"> 1 - Brass plug 2 - Brass body 3 - Aluminium piston 4 - Steel piston extension 5 - PUR poppet 6 - NBR seal 7 - Steel spring 	

Working curves



Blocking valves metal type - Size 1/8"

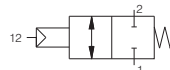
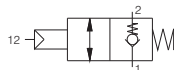
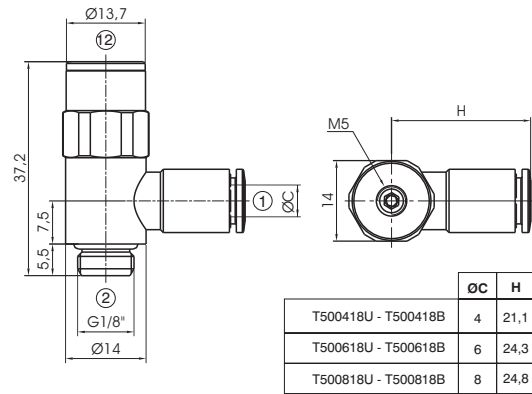
Ordering code
50T18V
METAL TYPE
A = Banjo only
04 = Banjo Ø4
06 = Banjo Ø6
08 = Banjo Ø8
18 = Banjo G1/8"
VERSION
U = Unidirectional
B = Bidirectional



Operational characteristics	Fluid	Pressure range (bar)	Flow rate at 6 bar with $\Delta p=1$ (NI/min)	Flow rate with free exhaust (NI/min)	Temperature °C
	Filtered air, with or without lubrication lubricated air or not	0,5 - 10	285	450	-5 - +50

Blocking valves technopolymer type - Size 1/8"

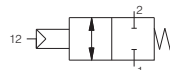
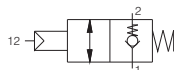
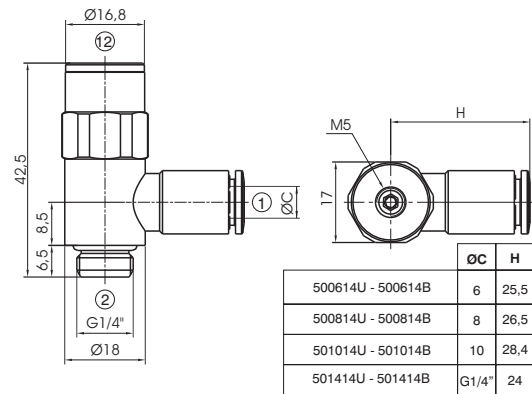
Ordering code
T50T18V
TECHNOPOLYMER TYPE
04 = Banjo Ø4
06 = Banjo Ø6
08 = Banjo Ø8
VERSION
U = Unidirectional
B = Bidirectional



Operational characteristics	Fluid	Pressure range (bar)	Flow rate at 6 bar with $\Delta p=1$ (NI/min)	Flow rate with free exhaust (NI/min)	Temperature °C
	Filtered air, with or without lubrication lubricated air or not	0,5 - 10	285	450	-5 - +50


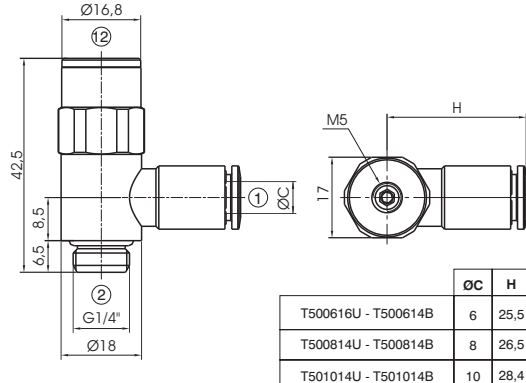
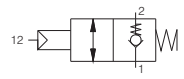
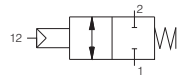
Blocking valves metal type - Size 1/4"

Ordering code
50T14V
METAL TYPE
A = Banjo only
06 = Banjo Ø6
08 = Banjo Ø8
10 = Banjo Ø10
14 = Banjo G1/4"
VERSION
U = Unidirectional
B = Bidirectional


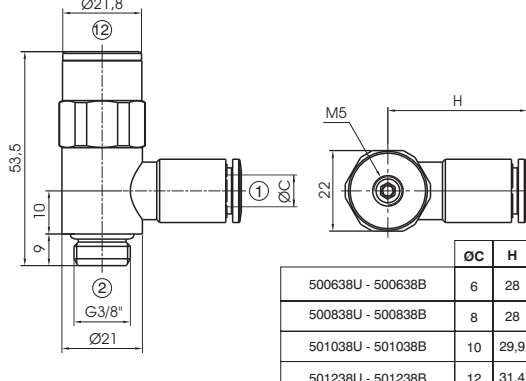
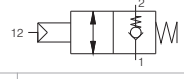
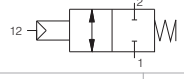


Operational characteristics	Fluid	Pressure range (bar)	Flow rate at 6 bar with $\Delta p=1$ (NI/min)	Flow rate with free exhaust (NI/min)	Temperature °C
	Filtered air, with or without lubrication lubricated air or not	0,5 - 10	530	800	-5 - +50


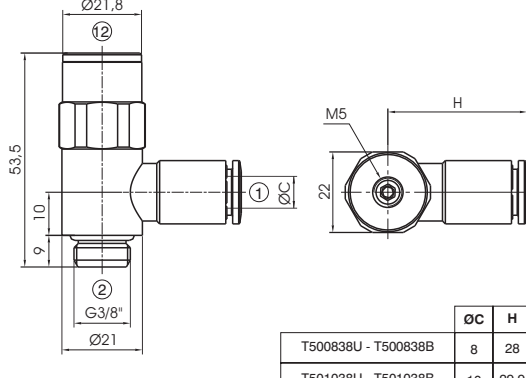
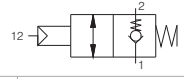
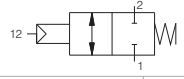
Blocking valves technopolymer type - Size 1/4"

Ordering code T50T14V																	
TECHNOPOLYMER TYPE T 06 = Banjo Ø6 08 = Banjo Ø8 10 = Banjo Ø10 VERSION V U = Unidirectional B = Bidirectional																	
																	
		<table border="1"> <thead> <tr> <th></th> <th>ØC</th> <th>H</th> </tr> </thead> <tbody> <tr> <td>T500616U - T500614B</td> <td>6</td> <td>25,5</td> </tr> <tr> <td>T500814U - T500814B</td> <td>8</td> <td>26,5</td> </tr> <tr> <td>T501014U - T501014B</td> <td>10</td> <td>28,4</td> </tr> </tbody> </table>					ØC	H	T500616U - T500614B	6	25,5	T500814U - T500814B	8	26,5	T501014U - T501014B	10	28,4
	ØC	H															
T500616U - T500614B	6	25,5															
T500814U - T500814B	8	26,5															
T501014U - T501014B	10	28,4															
																	
Operational characteristics	Fluid	Pressure range (bar)	Flow rate at 6 bar with $\Delta p=1$ (NI/min)	Flow rate with free exhaust (NI/min)	Temperature °C												
	Filtered air, with or without lubrication lubricated air or not	0,5 - 10	530	800	-5 - +50												

Blocking valves metal type - Size 3/8"

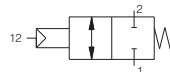
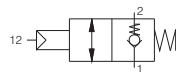
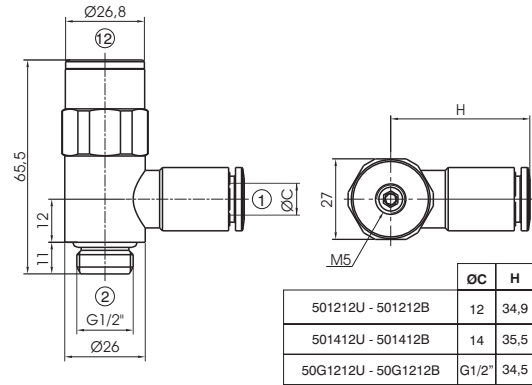
Ordering code 50T38V																							
METAL TYPE A = Banjo only 06 = Banjo Ø6 08 = Banjo Ø8 10 = Banjo Ø10 12 = Banjo G1/2" 38 = Banjo G3/8" VERSION V U = Unidirectional B = Bidirectional																							
																							
		<table border="1"> <thead> <tr> <th></th> <th>ØC</th> <th>H</th> </tr> </thead> <tbody> <tr> <td>500638U - 500638B</td> <td>6</td> <td>28</td> </tr> <tr> <td>500838U - 500838B</td> <td>8</td> <td>28</td> </tr> <tr> <td>501038U - 501038B</td> <td>10</td> <td>29,9</td> </tr> <tr> <td>501238U - 501238B</td> <td>12</td> <td>31,4</td> </tr> <tr> <td>503838U - 503838B</td> <td>G3/8"</td> <td>28,5</td> </tr> </tbody> </table>					ØC	H	500638U - 500638B	6	28	500838U - 500838B	8	28	501038U - 501038B	10	29,9	501238U - 501238B	12	31,4	503838U - 503838B	G3/8"	28,5
	ØC	H																					
500638U - 500638B	6	28																					
500838U - 500838B	8	28																					
501038U - 501038B	10	29,9																					
501238U - 501238B	12	31,4																					
503838U - 503838B	G3/8"	28,5																					
																							
Operational characteristics	Fluid	Pressure range (bar)	Flow rate at 6 bar with $\Delta p=1$ (NI/min)	Flow rate with free exhaust (NI/min)	Temperature °C																		
	Filtered air, with or without lubrication lubricated air or not	0,5 - 10	1000	1600	-5 - +50																		

Blocking valves technopolymer type - Size 3/8"

Ordering code T50T38V																	
TECHNOPOLYMER TYPE T 08 = Banjo Ø8 10 = Banjo Ø10 12 = Banjo G1/2" VERSION V U = Unidirectional B = Bidirectional																	
																	
		<table border="1"> <thead> <tr> <th></th> <th>ØC</th> <th>H</th> </tr> </thead> <tbody> <tr> <td>T500838U - T500838B</td> <td>8</td> <td>28</td> </tr> <tr> <td>T501038U - T501038B</td> <td>10</td> <td>29,9</td> </tr> <tr> <td>T501238U - T501238B</td> <td>12</td> <td>31,4</td> </tr> </tbody> </table>					ØC	H	T500838U - T500838B	8	28	T501038U - T501038B	10	29,9	T501238U - T501238B	12	31,4
	ØC	H															
T500838U - T500838B	8	28															
T501038U - T501038B	10	29,9															
T501238U - T501238B	12	31,4															
																	
Operational characteristics	Fluid	Pressure range (bar)	Flow rate at 6 bar with $\Delta p=1$ (NI/min)	Flow rate with free exhaust (NI/min)	Temperature °C												
	Filtered air, with or without lubrication lubricated air or not	0,5 - 10	1000	1600	-5 - +50												

Blocking valves metal type - Size 1/2"

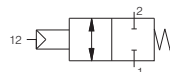
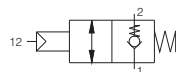
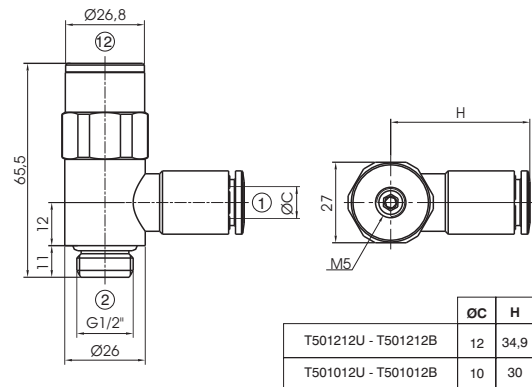
Ordering code
50T12V
METAL TYPE
A = Banjo only
T 12 = Banjo G1/2"
14 = Banjo Ø14
G12 = Banjo G1/2"
VERSION
V U = Unidirectional
B = Bidirectional



Operational characteristics	Fluid	Pressure range (bar)	Flow rate at 6 bar with $\Delta p=1$ (NI/min)	Flow rate with free exhaust (NI/min)	Temperature °C
	Filtered air, with or without lubrication lubricated air or not	0,5 - 10	1300	2600	-5 - +50

Blocking valves technopolymer type - Size 1/2"

Ordering code
T50T12V
TECHNOPOLYMER TYPE
T 10 = Banjo Ø10
12 = Banjo G1/2"
VERSION
V U = Unidirectional
B = Bidirectional



Operational characteristics	Fluid	Pressure range (bar)	Flow rate at 6 bar with $\Delta p=1$ (NI/min)	Flow rate with free exhaust (NI/min)	Temperature °C
	Filtered air, with or without lubrication lubricated air or not	0,5 - 10	1300	2600	-5 - +50