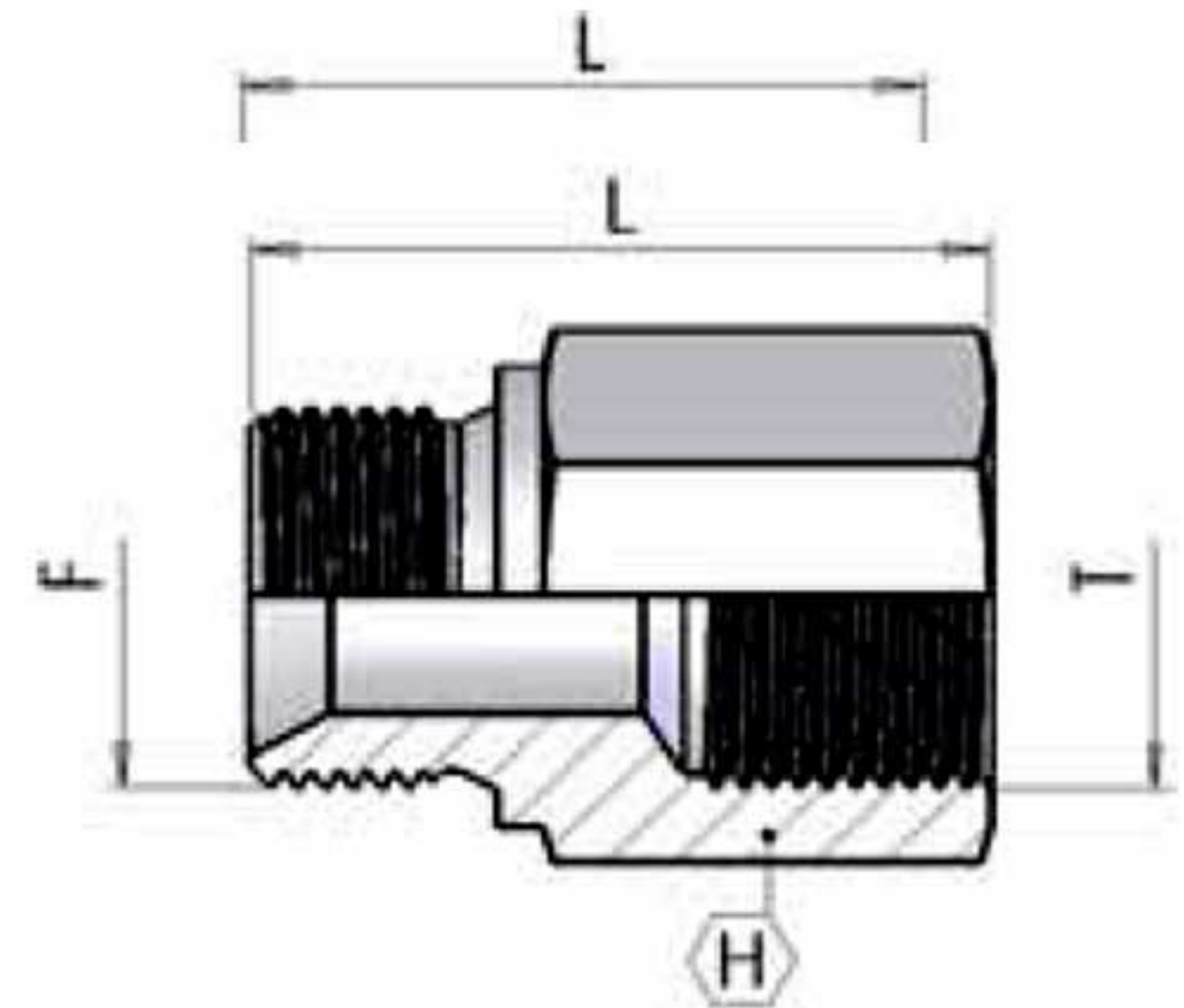


2000

Male/female connector



ID	part number	Ø tube		Dimensions				working pressure
		mm	inch	F	T	L	H	bar
25300	2000-04-33	8	5/16"	1/4-19	1/4-19	33	19	350
38987	2000-04-42	8	5/16"	1/4-19	1/4-19	42	19	350
38988	2000-04-55	8	5/16"	1/4-19	1/4-19	55	19	350
38989	2000-06-35	10	3/8"	3/8-19	3/8-19	35	22	350
31591	2000-06-54	10	3/8"	3/8-19	3/8-19	54	22	350
54911	2000-06-65	10	3/8"	3/8-19	3/8-19	65	22	350
38990	2000-08-45	12	1/2"	1/2-14	1/2-14	45	27	315
38991	2000-08-60	12	1/2"	1/2-14	1/2-14	60	27	315
54916	2000-08-80	12	1/2"	1/2-14	1/2-14	80	27	315
38992	2000-08-64	12	1/2"	1/2-14	1/2-14	64	27	315
38993	2000-12-48	20	3/4"	3/4-14	3/4-14	48	32	250
54917	2000-12-64	20	3/4"	3/4-14	3/4-14	64	32	250
38994	2000-12-75	20	3/4"	3/4-14	3/4-14	75	32	250
38995	2000-16-50	25	1"	1-11	1-11	50	41	200
38996	2000-16-90	25	1"	1-11	1-11	90	41	200
38997	2000-20-62	32	1.1/4"	1.1/4-11	1.1/4-11	62	50	160