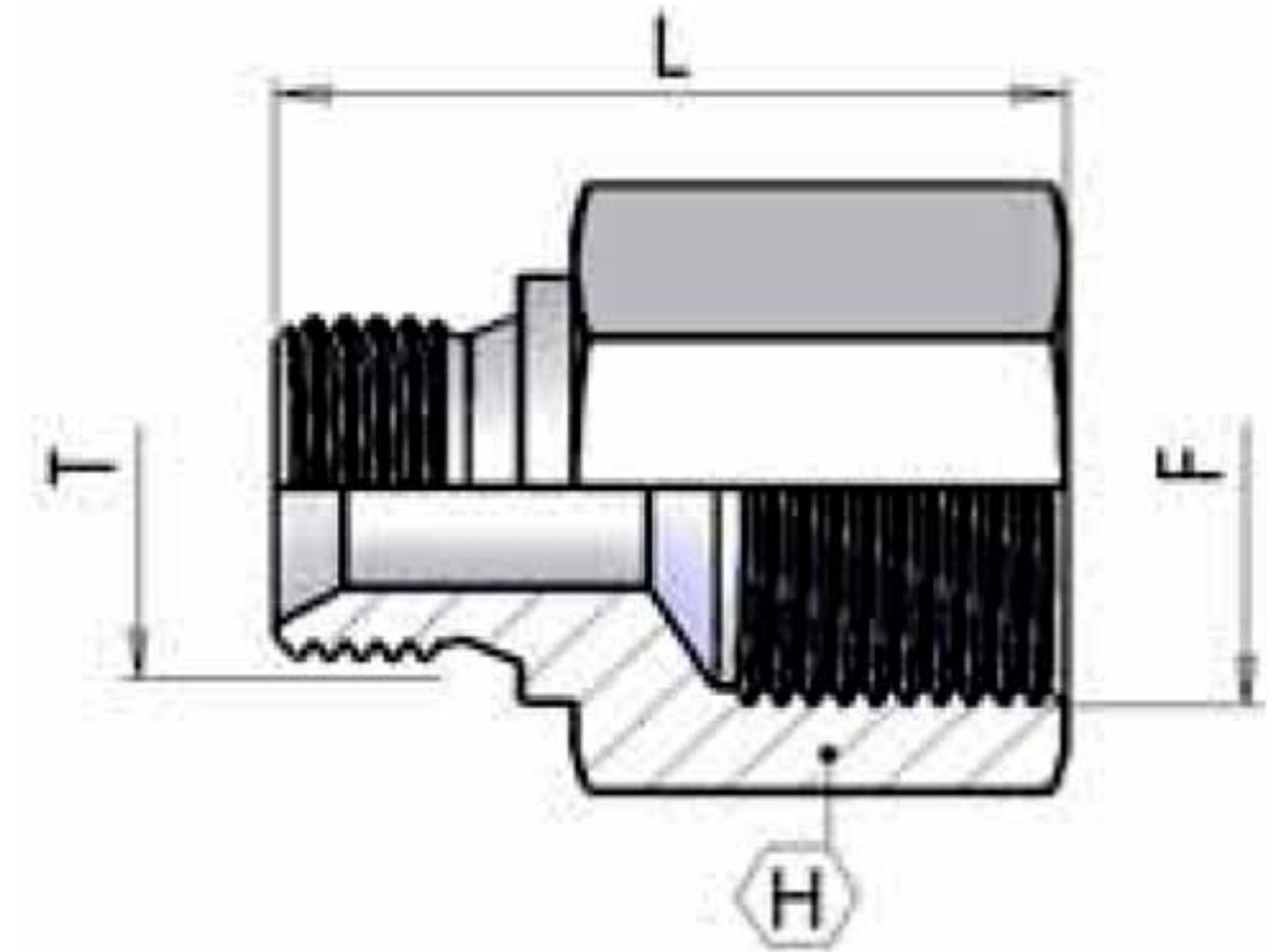


2010

Female-Male reducing



ID	part number	Ø tube		Dimensions				working pressure bar
		mm	inch	F	T	L	H	
54880	2010-02-04	8	5/16"	1/8-28	1/4-19	28	19	
38998	2010-04-02	6	1/4"	1/4-19	1/8-28	29	19	350
54881	2010-04-06	10	3/8"	1/4-19	3/8-19	30	22	
54882	2010-04-08	12	1/2"	1/4-19	1/2-14	30	27	
10436	2010-06-04	8	5/16"	3/8-19	1/4-19	33	22	350
54883	2010-06-08	12	1/2"	3/8-19	1/2-14	37	27	
9709	2010-08-04	8	5/16"	1/2-14	1/4-19	37	27	315
9710	2010-08-06	10	3/8"	1/2-14	3/8-19	39	27	315
31501	2010-08-12	20	3/4"	1/2-14	3/4-11	38	32	
54885	2010-08-16	25	1"	1/2-14	1-11	42	41	
38999	2010-12-04	8	5/16"	3/4-11	1/4-19	42	32	250
9711	2010-12-06	10	3/8"	3/4-11	3/8-19	43	32	250
9712	2010-12-08	12	1/2"	3/4-11	1/2-14	45	32	250
54886	2010-12-16	25	1"	3/4-11	1-11	49	41	
54887	2010-16-08	12	1/2"	1-11	1/2-14	49	41	
9713	2010-16-12	20	3/4"	1-11	3/4-14	50	41	200
54888	2010-16-20	20	3/4"	1-11	1.1/4-11	51	50	
54889	2010-20-12	20	3/4"	1.1/4-11	3/4-11	51	50	
54890	2010-20-16	25	1"	1.1/4-11	1-11	53	50	
54891	2010-20-24	20	3/4"	1.1/4-11	1.1/2-11	57	55	
54892	2010-24-16	25	1"	1.1/2-11	1-11	50	55	
54893	2010-24-20	20	3/4"	1.1/2-11	1.1/4-11	52	55	
54894	2010-32-20	20	3/4"	2-11	1.1/4-11	68	70	
54895	2010-32-24	38	1.1/2"	2-11	1.1/2-11	68	70	