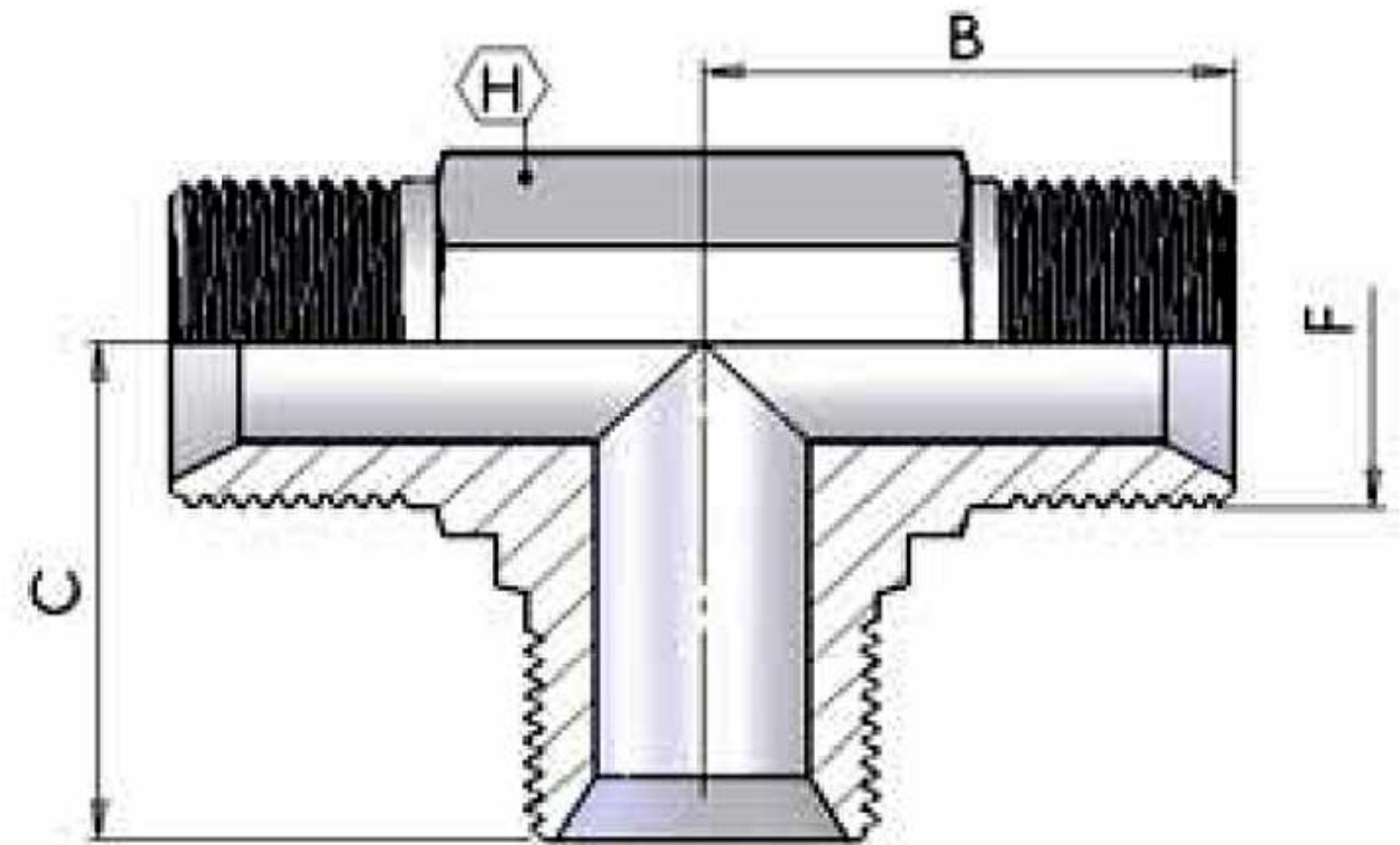


4730
Union Tee



ID	part number	Ø tube		Dimensions				working pressure
		mm	inch	F	B	C	H	bar
6531	4730-04	8	5/16"	1/4-19	27	27	14	350
6532	4730-06	10	3/8"	3/8-19	28	28	19	350
6955	4730-08	12	1/2"	1/2-14	34	34	22	315
6537	4730-12	20	3/4"	3/4-14	40	40	27	250
4147	4730-16	25	1"	1-11	42	42	33	200
39008	4730-20	32	1.1/4"	1.1/4-11	52	52	41	160
39010	4730-24	38	1.1/2"	1.1/2-11	59	59	50	125