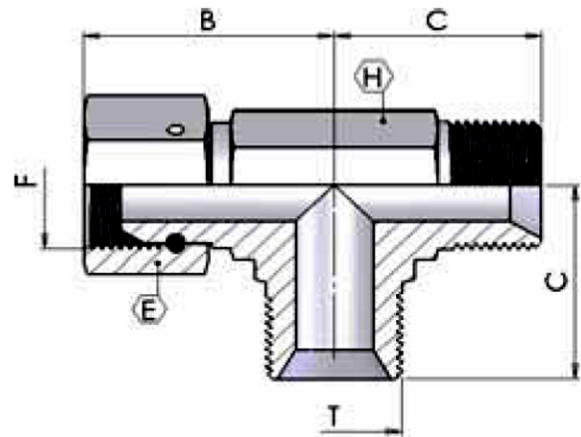


**4700**  
Female run tee



ID	part number	Ø tube		Dimensions						working pressure
		mm	inch	F	T	B	C	H	E	bar
19913	4700-04	8	5/16"	1/4-19	1/4-19	32	27	14	19	350
14268	4700-06	10	3/8"	3/8-19	3/8-19	33	28	19	22	350
12499	4700-08	12	1/2"	1/2-14	1/2-14	40	34	22	27	315
26196	4700-12	20	3/4"	3/4-14	3/4-14	48	40	27	32	250
19912	4700-16	25	1"	1-11	1-11	52	42	33	38	200