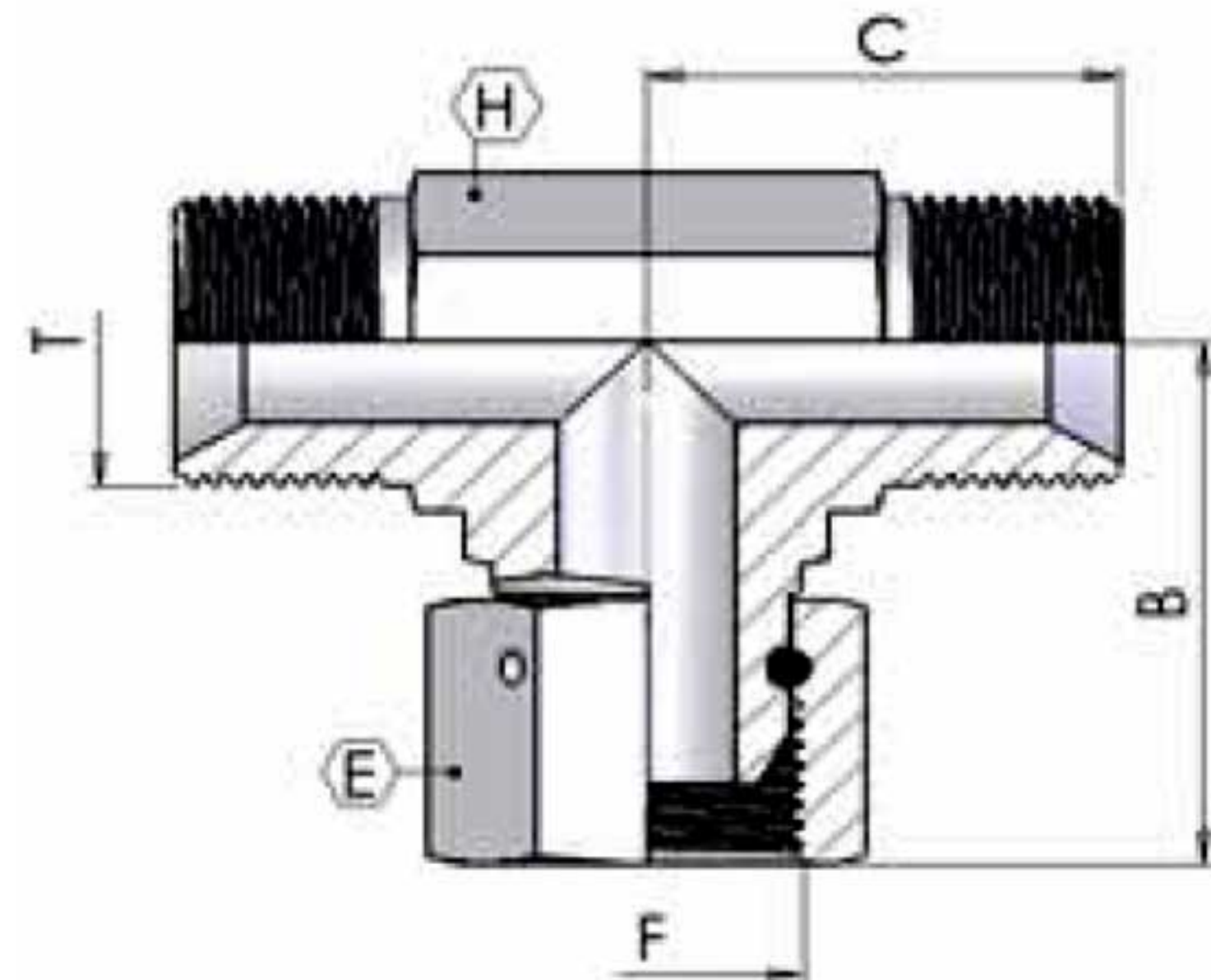


4710

Female branch tee



ID	part number	Ø tube		Dimensions						working pressure
		mm	inch	F	T	B	C	H	E	bar
9669	4710-04	8	5/16"	1/4-19	1/4-19	32	27	14	19	350
10397	4710-06	10	3/8"	3/8-19	3/8-19	33	28	19	22	350
8411	4710-08	12	1/2"	1/2-14	1/2-14	40	34	22	27	315
9688	4710-12	20	3/4"	3/4-14	3/4-14	48	40	27	32	250
19914	4710-16	25	1"	1-11	1-11	52	42	33	38	200
54983	4710-20	32	1.1/4"	1.1/4-11	1.1/4-11	61	52	41	50	160
54984	4710-24	38	1.1/2"	1.1/2-11	1.1/2-11	61	59	50	55	125