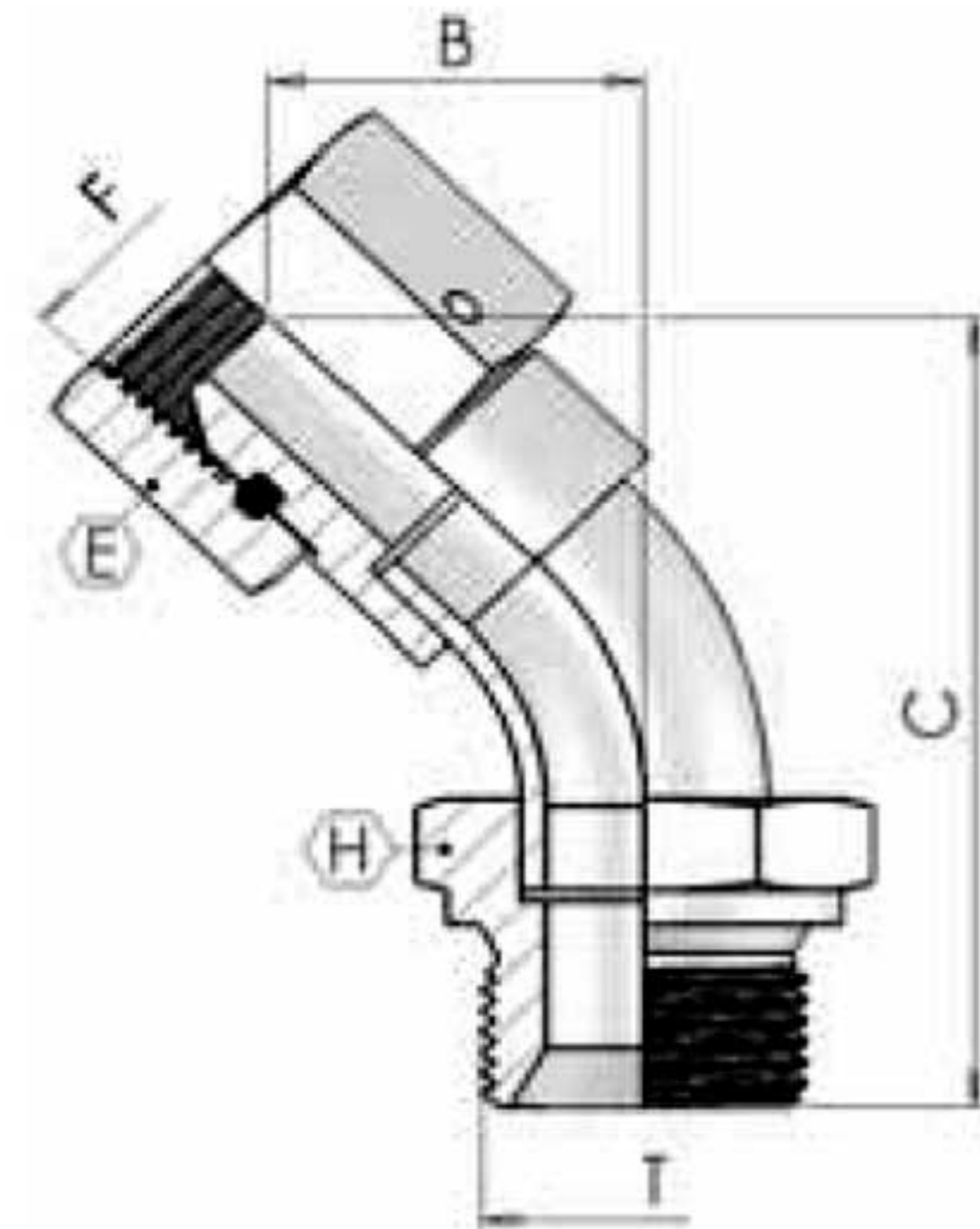


## 2650

Swivel 45° Elbow (welded)



ID	part number	Ø tube		Dimensions						working pressure
		mm	inch	F	T	B	C	H	E	bar
39156	2650-04-04	8	5/16"	1/4-19	1/4-19	17	44	19	19	350
39157	2650-06-06	10	3/8"	3/8-19	3/8-19	20	52	22	22	350
39154	2650-08-08	12	1/2"	1/2-14	1/2-14	23	53	27	27	315
39151	2650-12-12	20	3/4"	3/4-14	3/4-14	29	73	32	32	250
39149	2650-16-16	25	1"	1-11	1-11	35	85	41	38	200
20710	2650-20-20	32	1.1/4"	1.1/4-11	1.1/4-11	33	84	50	50	160
39146	2650-24-24	38	1.1/2"	1.1/2-11	1.1/2-11	41	103	55	55	125
39147	2650-32-32	51	2"	2-11	2-11	53	134	65	70	80