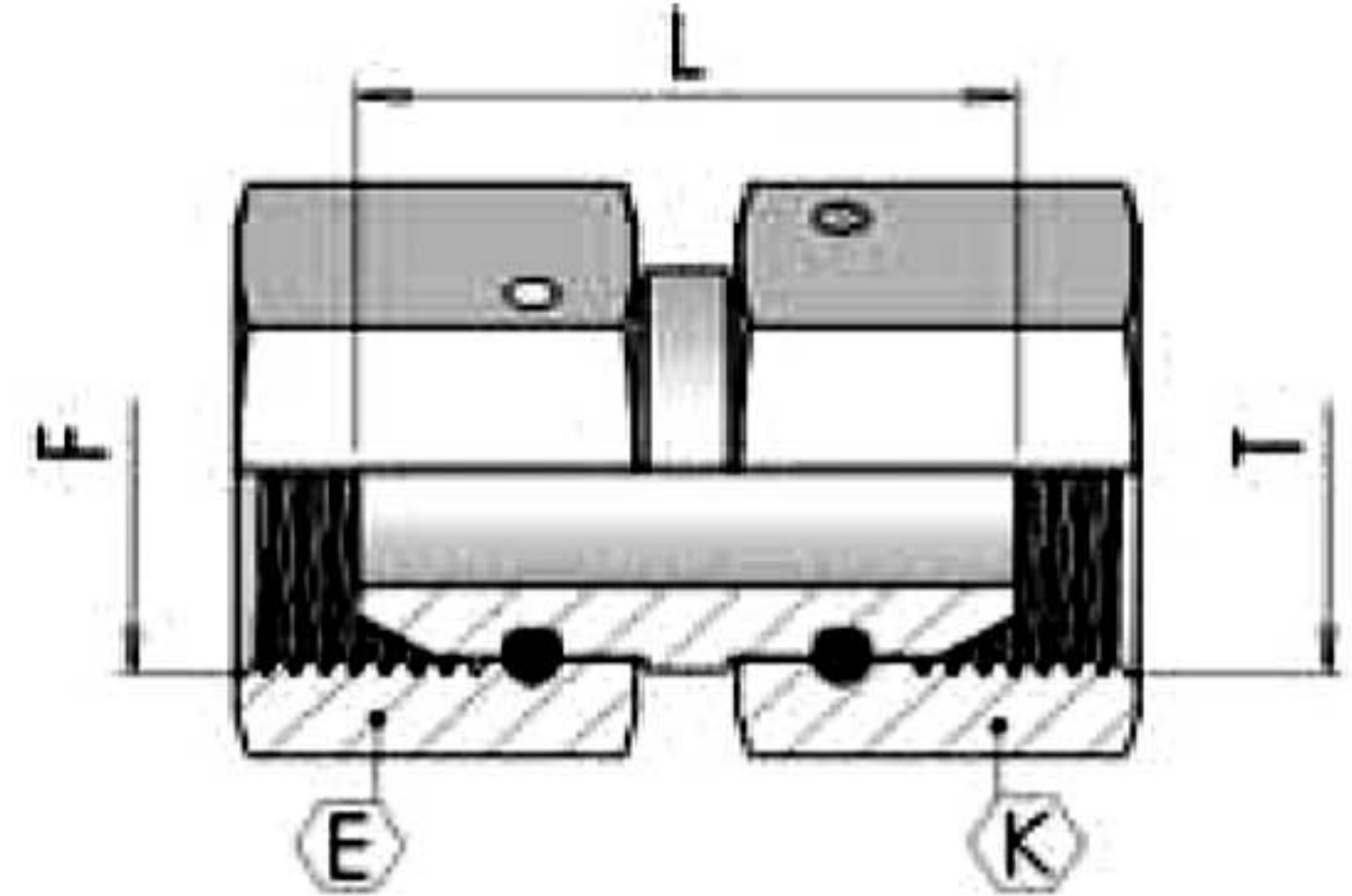


2450

Swivel Connector



ID	part number	Dimensions						working pressure bar
		F	T	L	K	E		
4148	2450-04-04	1/4-19	1/4-19	22	19	19		350
231	2450-06-06	3/8-19	3/8-19	29	22	22		350
232	2450-08-08	1/2-14	1/2-14	32	27	27		315
4149	2450-12-12	3/4-14	3/4-14	37	32	32		250
39175	2450-16-16	1-11	1-11	43	38	38		200
39176	2450-20-20	1.1/4-11	1.1/4-11	50	50	50		160
39177	2450-24-24	1.1/2-11	1.1/2-11	53	55	55		125
39178	2450-32-32	2-11	2-11	50	70	70		80