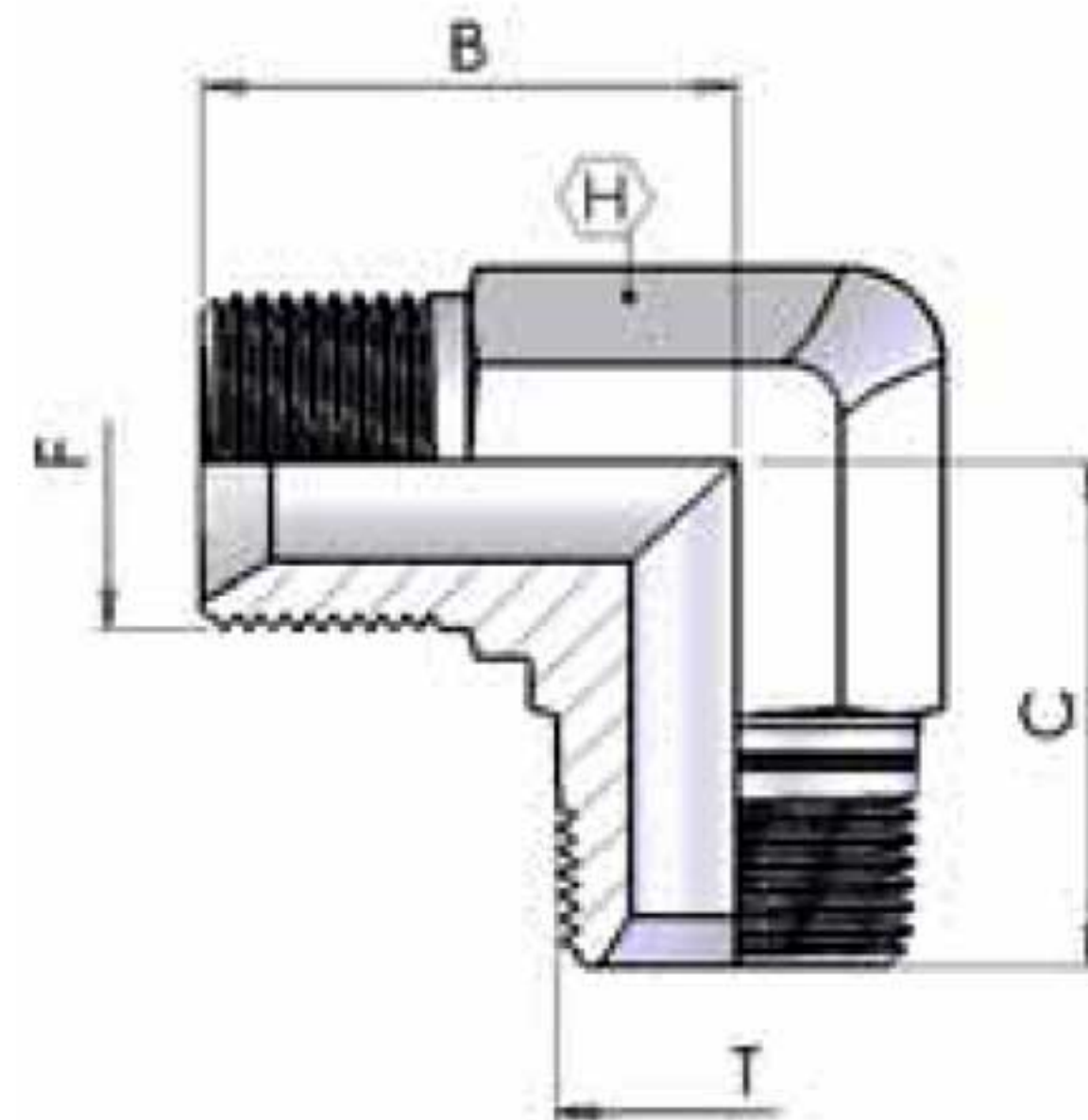


4620

90° connector BSP male x BSPT male



ID	part number	Ø tube		Dimensions					working pressure
		mm	inch	F	T	B	C	H	bar
	4620-02	6	1/4"	1/8-28	1/8-28	26	26	14	350
39212	4620-04	8	5/16"	1/4-19	1/4-19	26	26	14	350
12496	4620-06	10	3/8"	3/8-19	3/8-19	32	32	19	350
12497	4620-08	12	1/2"	1/2-14	1/2-14	36	36	22	315
39213	4620-12	20	3/4"	3/4-14	3/4-14	40	40	27	250
39214	4620-16	25	1"	1-11	1-11	42	42	33	200
39215	4620-20	32	1.1/4"	1.1/4-11	1.1/4-11	52	52	41	160
39216	4620-24	38	1.1/2"	1.1/2-11	1.1/2-11	59	59	50	125