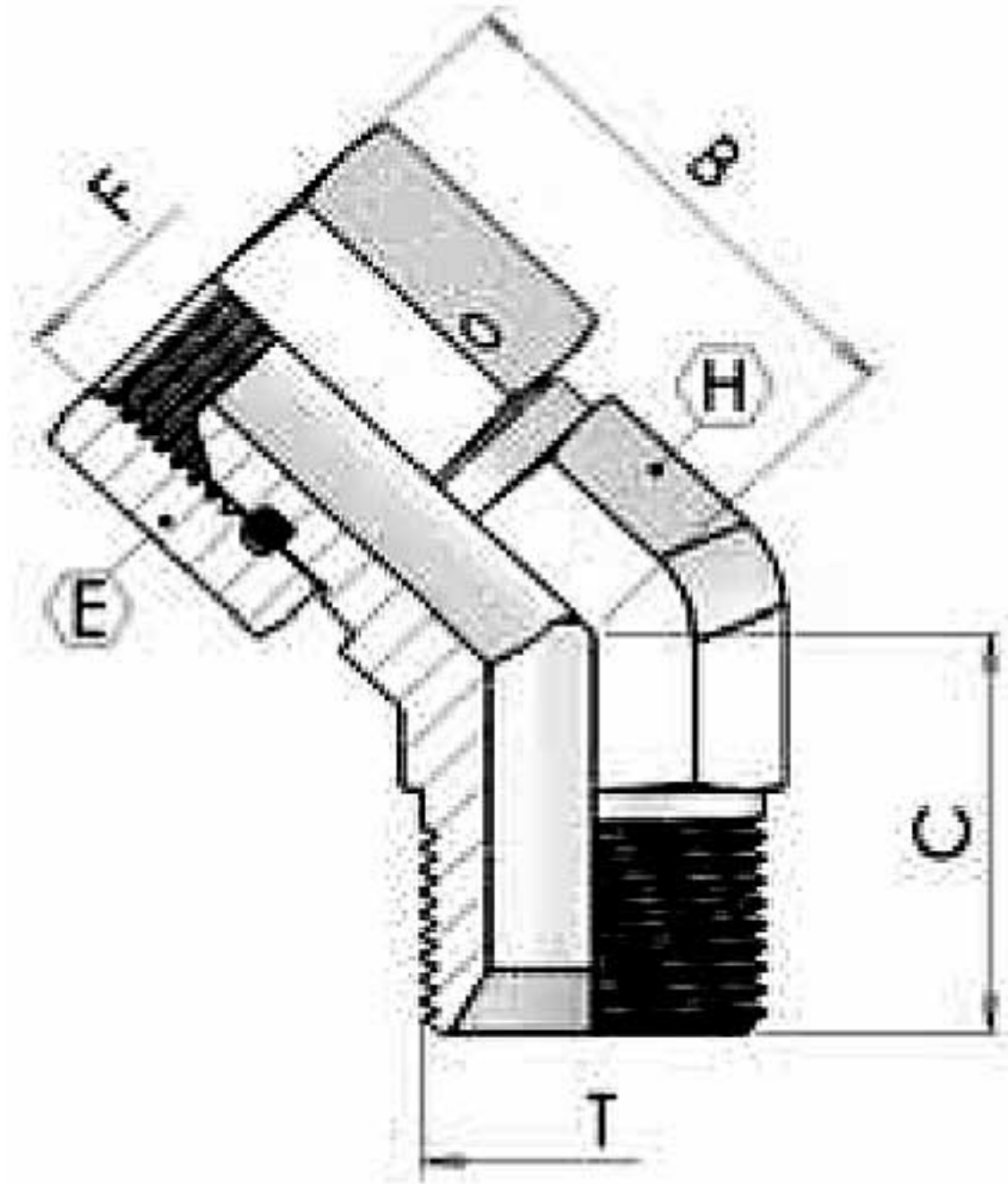


**4510**  
Swivel 45° Elbow



ID	part number	Ø tube		Dimensions						working pressure
		mm	inch	F	T	B	C	H	E	bar
9690	4510-04	8	5/16"	1/4-19	1/4-19	26	21	14	19	350
9691	4510-06	10	3/8"	3/8-19	3/8-19	30	25	19	22	350
241	4510-08	12	1/2"	1/2-14	1/2-14	34	28	22	27	315
9692	4510-12	20	3/4"	3/4-14	3/4-14	41	33	27	32	250
39106	4510-16	25	1"	1-11	1-11	49	39	33	38	200
39109	4510-20	32	1.1/4"	1.1/4-11	1.1/4-11			41	50	160
39111	4510-24	38	1.1/2"	1.1/2-11	1.1/2-11			50	55	125