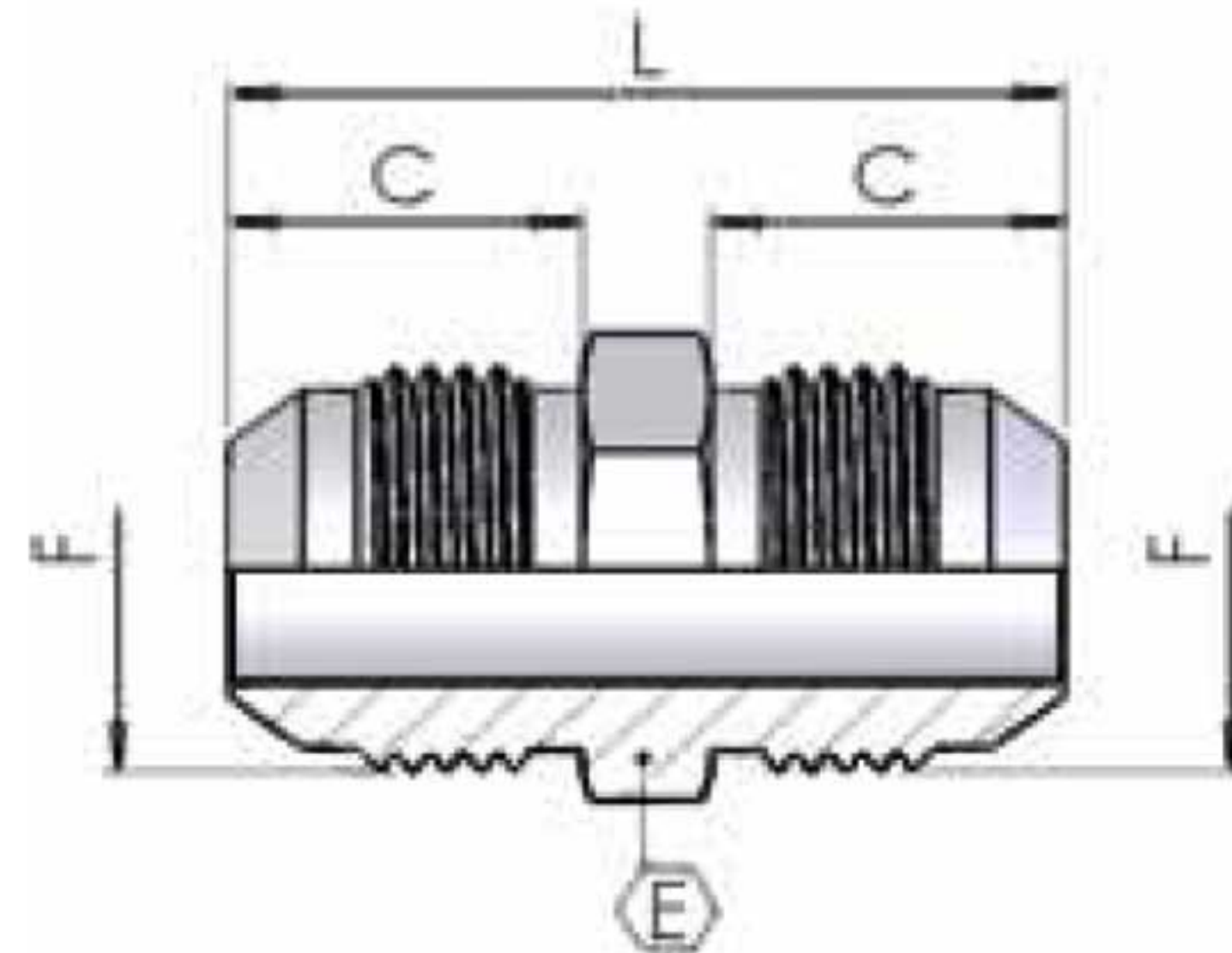


1900
Nipplo maschio

Male connector



ID	part number	Ø tube		Dimensions				working pressure
		mm	inch	F	C	L	E	bar
18165	1900-04-04	6	1/4"	7/16" - 20	14	34	12	345
18166	1900-05-05	8	5/16"	1/2" - 20	14	34	14	345
18741	1900-06-06	10	3/8"	9/16" - 18	14	34	15	345
12972	1900-08-08	12	1/2"	3/4" - 16	17	40	19	310
12973	1900-10-10	16	5/8"	7/8" - 14	19	47	24	240
18794	1900-12-12	20	3/4"	1.1/16" - 12	22	52	27	240
39255	1900-16-16	25	1"	1.5/16" - 12	23	56	34	210
39256	1900-20-20	32	1.1/4"	1.5/8" - 12	24	60	42	170
39257	1900-24-24	38	1.1/2"	1.7/8" - 12	28	70	50	140
39258	1900-32-32	50	2"	2.1/2" - 12	34	85	65	105