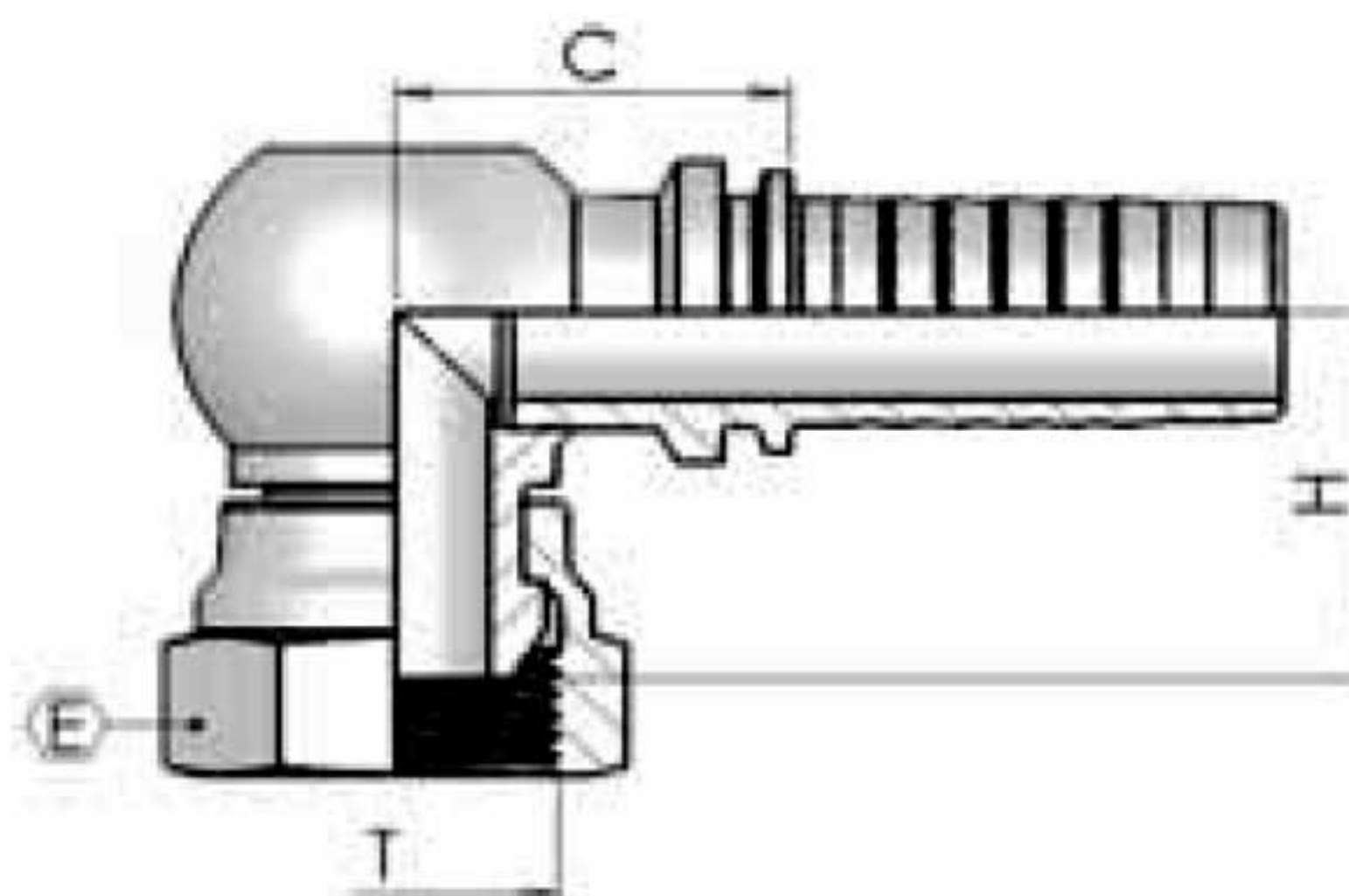


DKR 90°K

BSP 90° Compact Elbow 60°
Cone (welded)



ID	part number	hose I.D.		Dimension				
				dash	thread	hex	drop	cut-off
		in	mm	size	T	E	H	C
38160	2301-03-02	3/16	4,8	03	1/8-28	14	16	17
38163	2301-10-10	5/8	15,9	10	5/8-14	28	27	30
55683	2301-10-12	5/8	15,9	10	3/4-14	32	32	29